



MINISTRY OF GENERAL EDUCATION AND INSTRUCTION
CONSTRUCTION OF ONE BLOCK OF TWO CLASS ROOMS
IN GOROM SETTLEMENT
Detailed Engineering Drawings for

CHECKED BY:

Department of Physical Planning & Construction
Ministry of Education Science and Technology

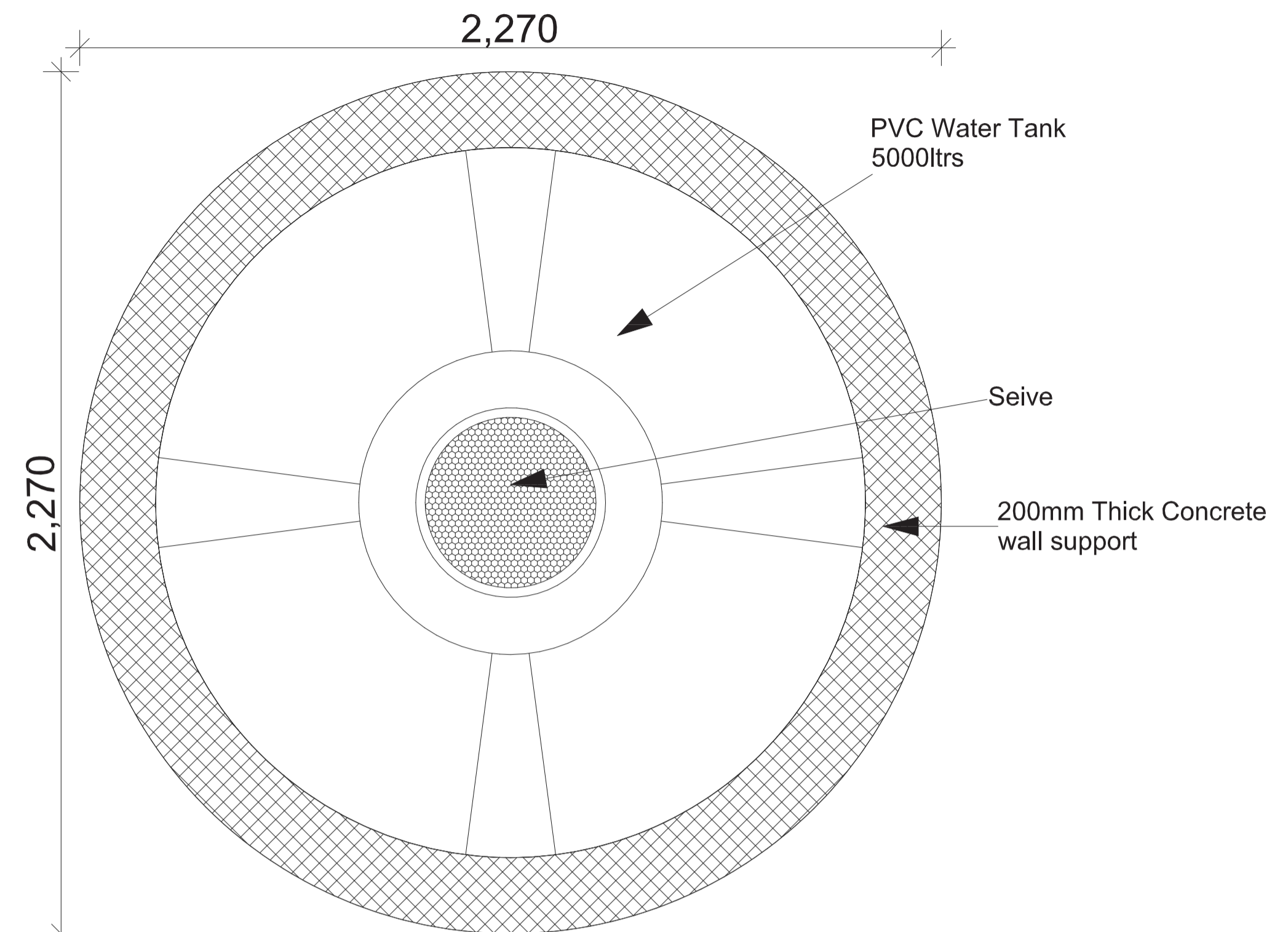
PROTOTYPE APPROVED BY:

Ministry of Housing and Physical Planning, South Sudan

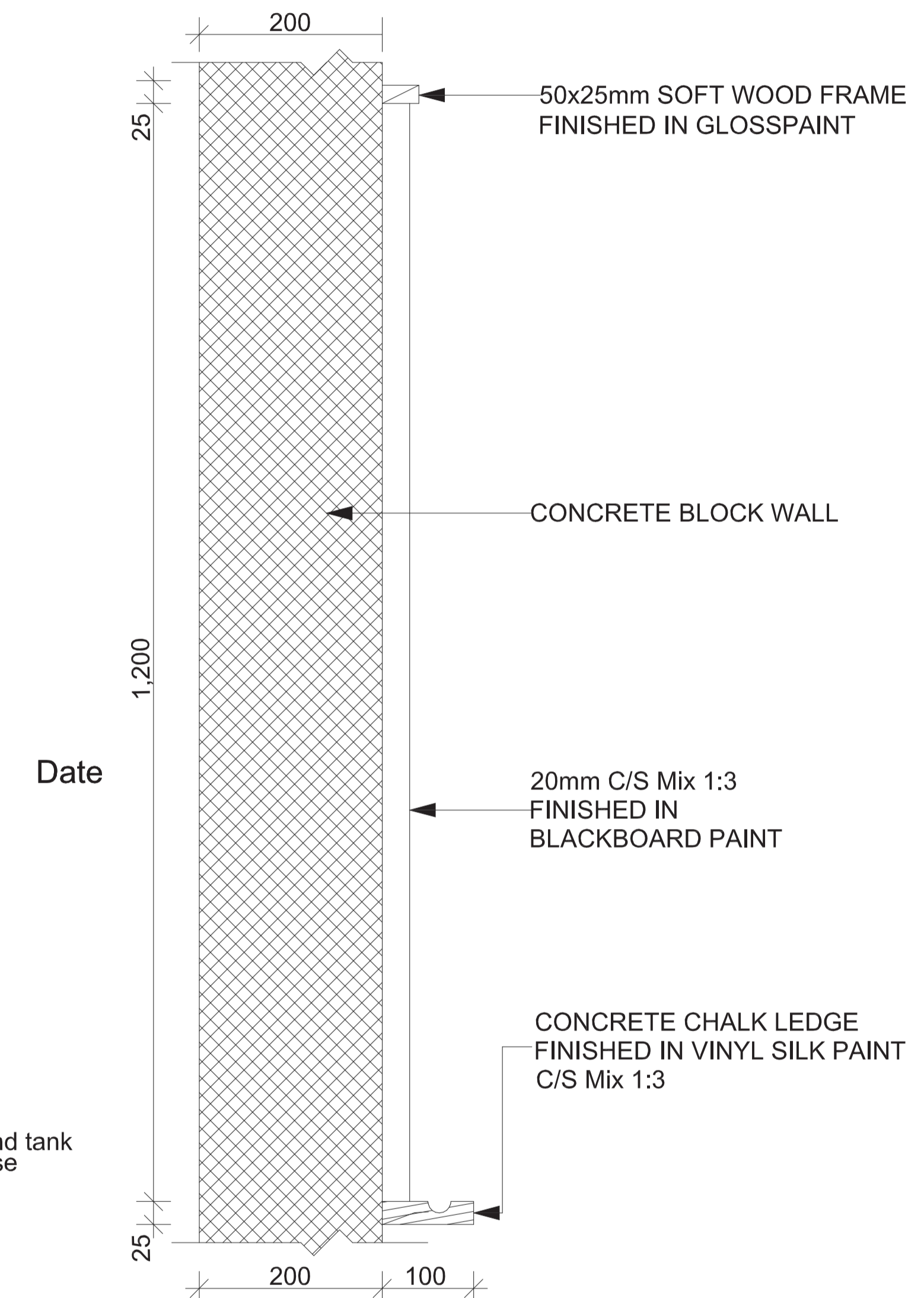
WITH FUNDS FROM MINISTRY
OF FOREIGN AFFAIRS (MFA) :



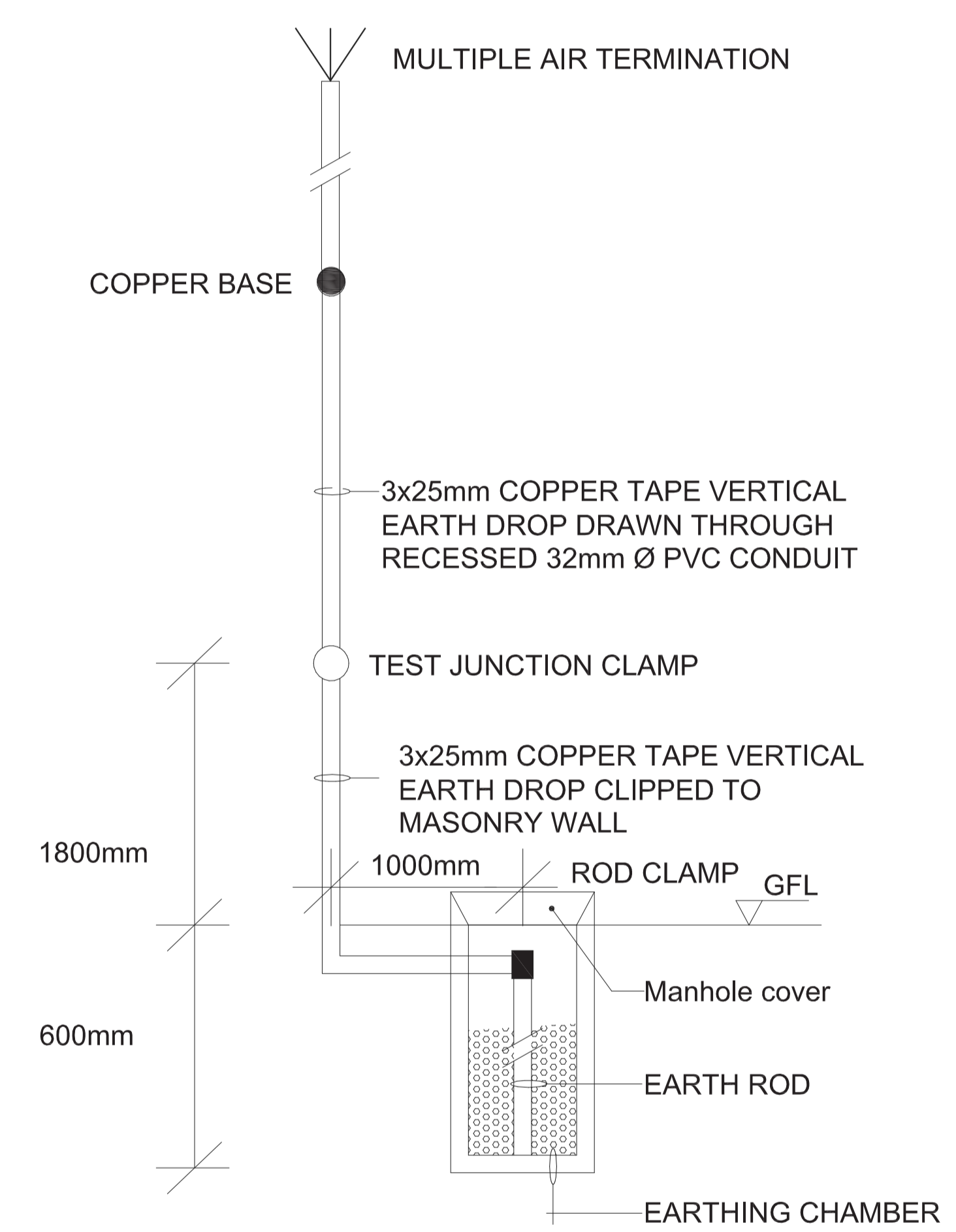
Finn Church Aid



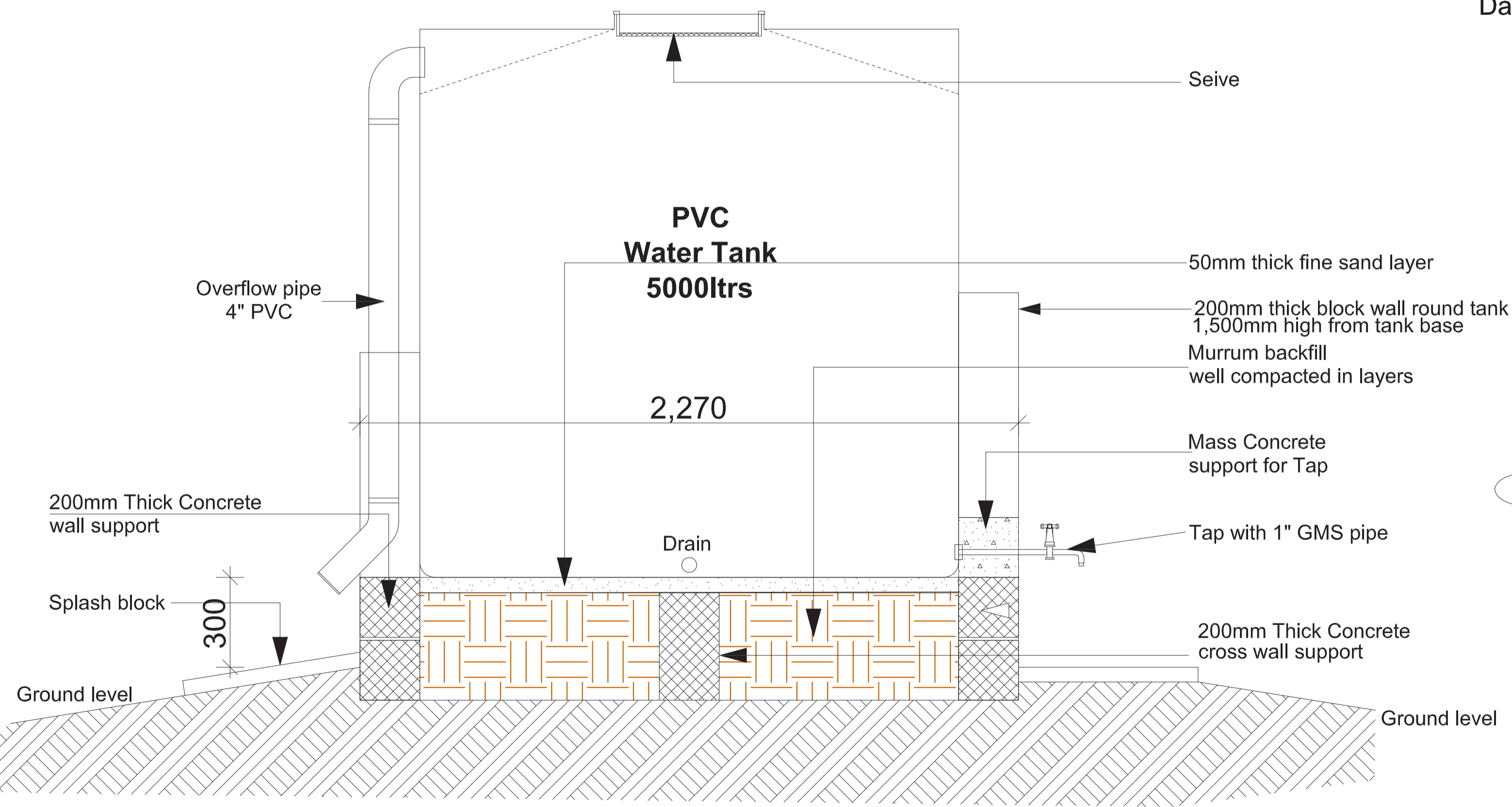
1 WATER TANK PLAN
SCALE 1:25



3 TYPICAL BLACKBOARD SECTION
SCALE 1:10

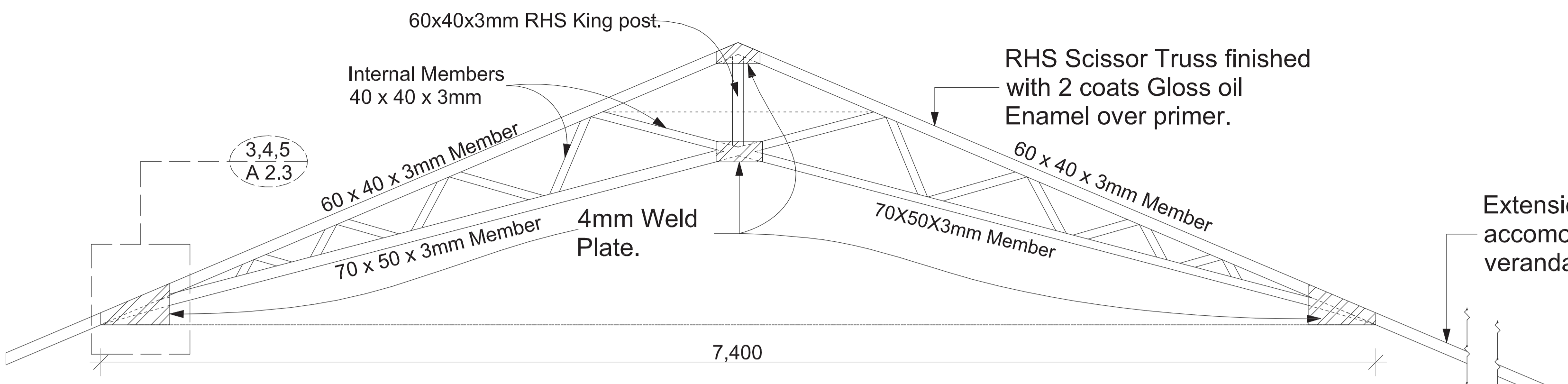


4 LIGHTNING ARRESTOR (VERTICAL DROP & EARTHING)
SCALE : NOT TO SCALE.

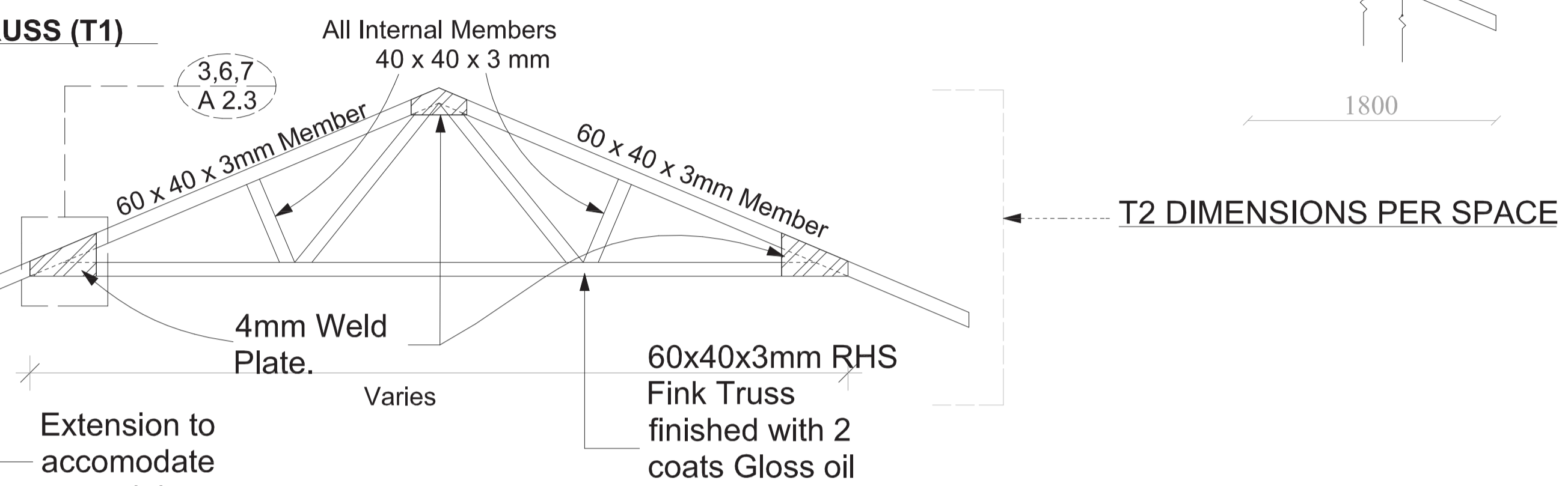


2 WATER TANK PLINTH SECTION
SCALE 1:25

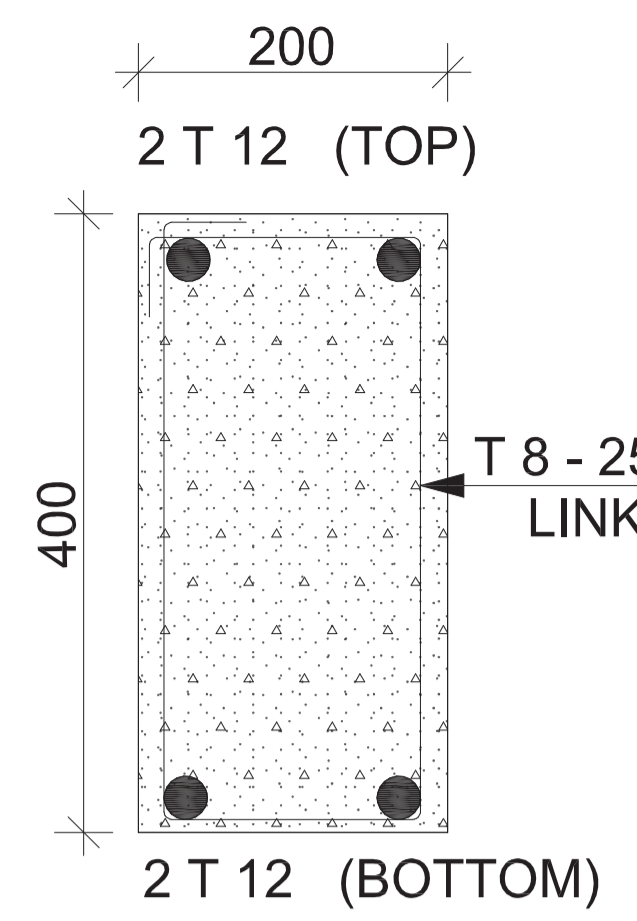
Project	Project Title	Drawing Title	Check by:	Approved by:	Revision				Date	Drawn by	Project No	
					No	Date	Description	By			Drawing No	Revision
		Construction of one block of two class rooms	Office of physical Planning & Construction, MoGEI	Ministry of Housing & Planning					8/08/2024	Oryem .W	01	
									Scale			Checked by James O



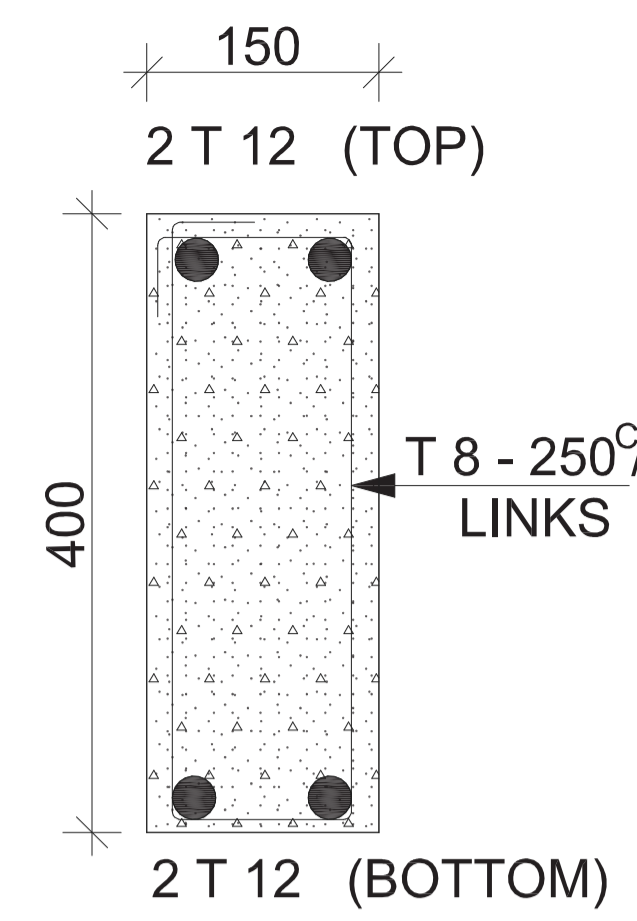
1 STEEL SCISSOR TRUSS (T1)
SCALE 1:50



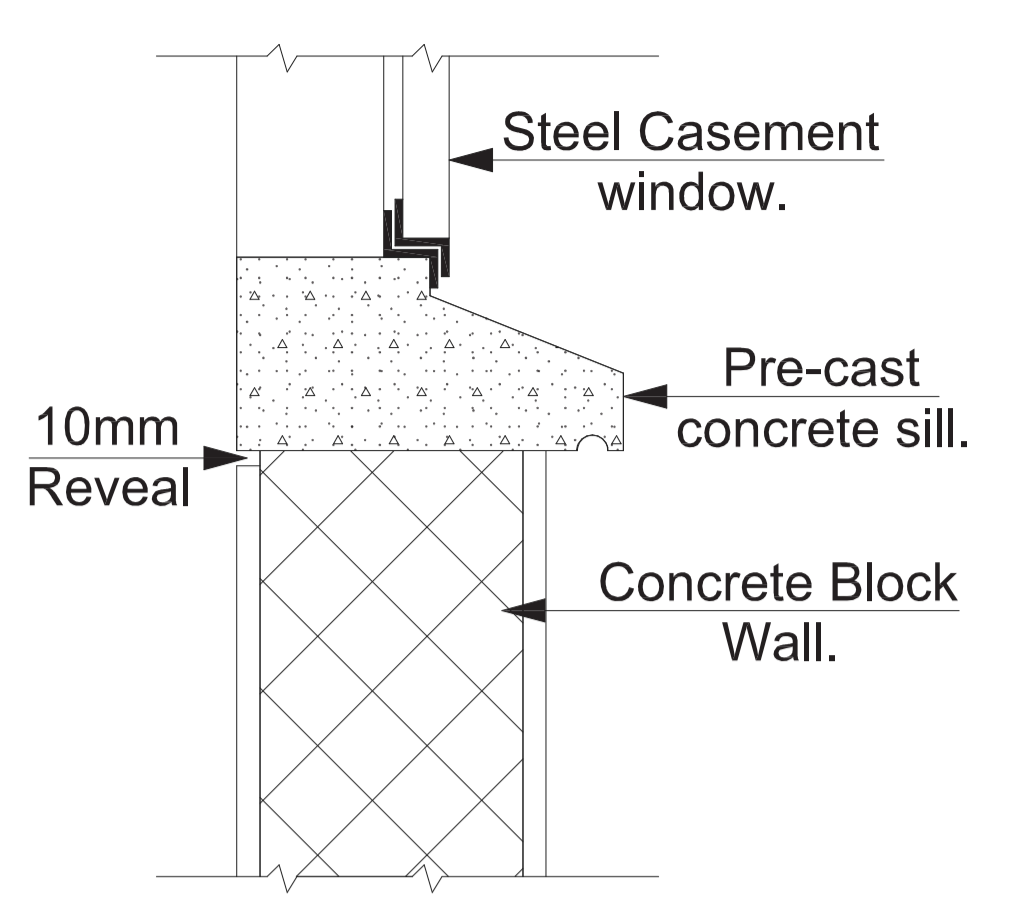
2 STEEL SCISSOR TRUSS (T2)
SCALE 1:50



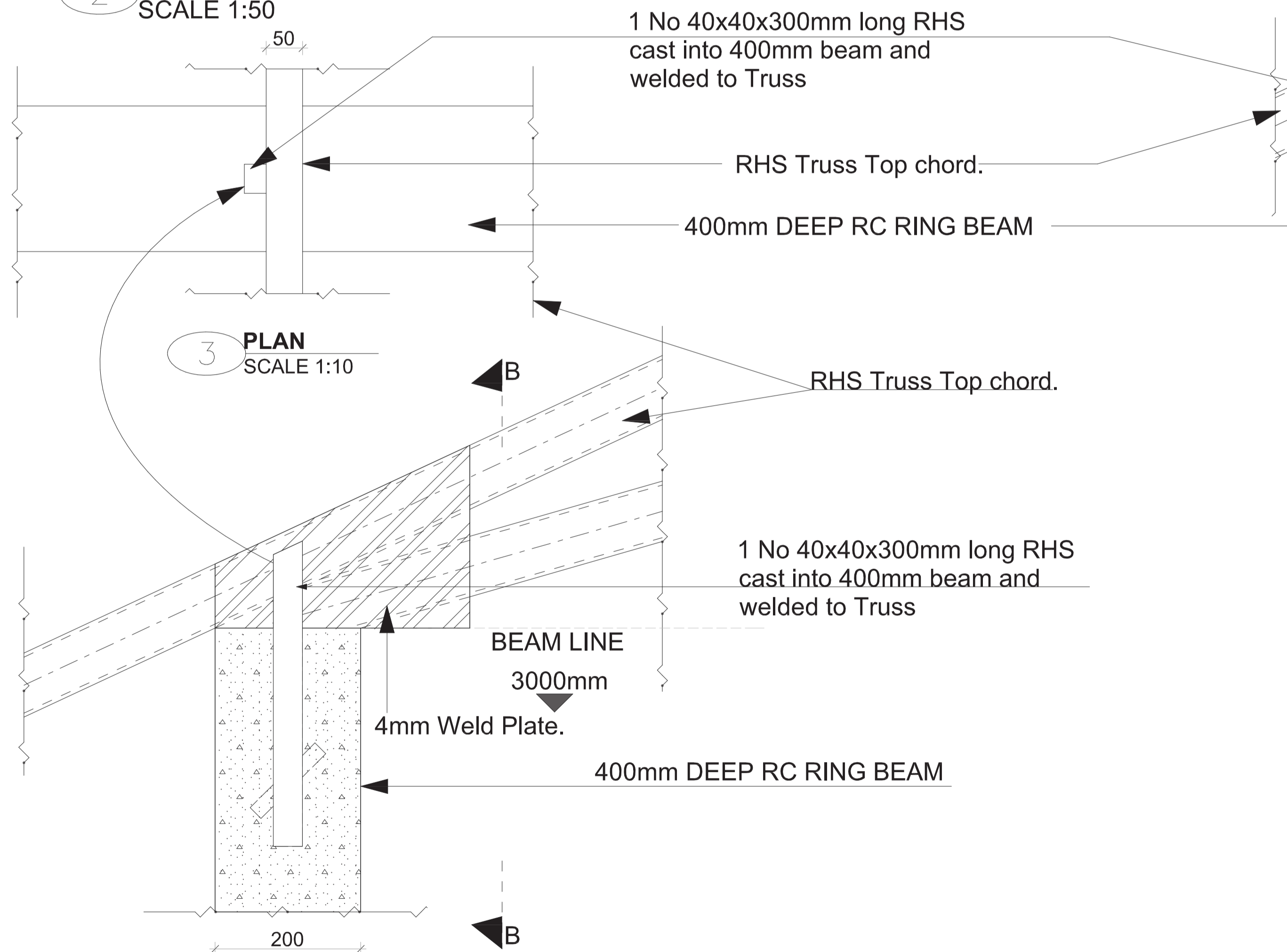
8 RING BEAM (RB)
SCALE 1:10



9 RING BEAM (RB1)
SCALE 1:10

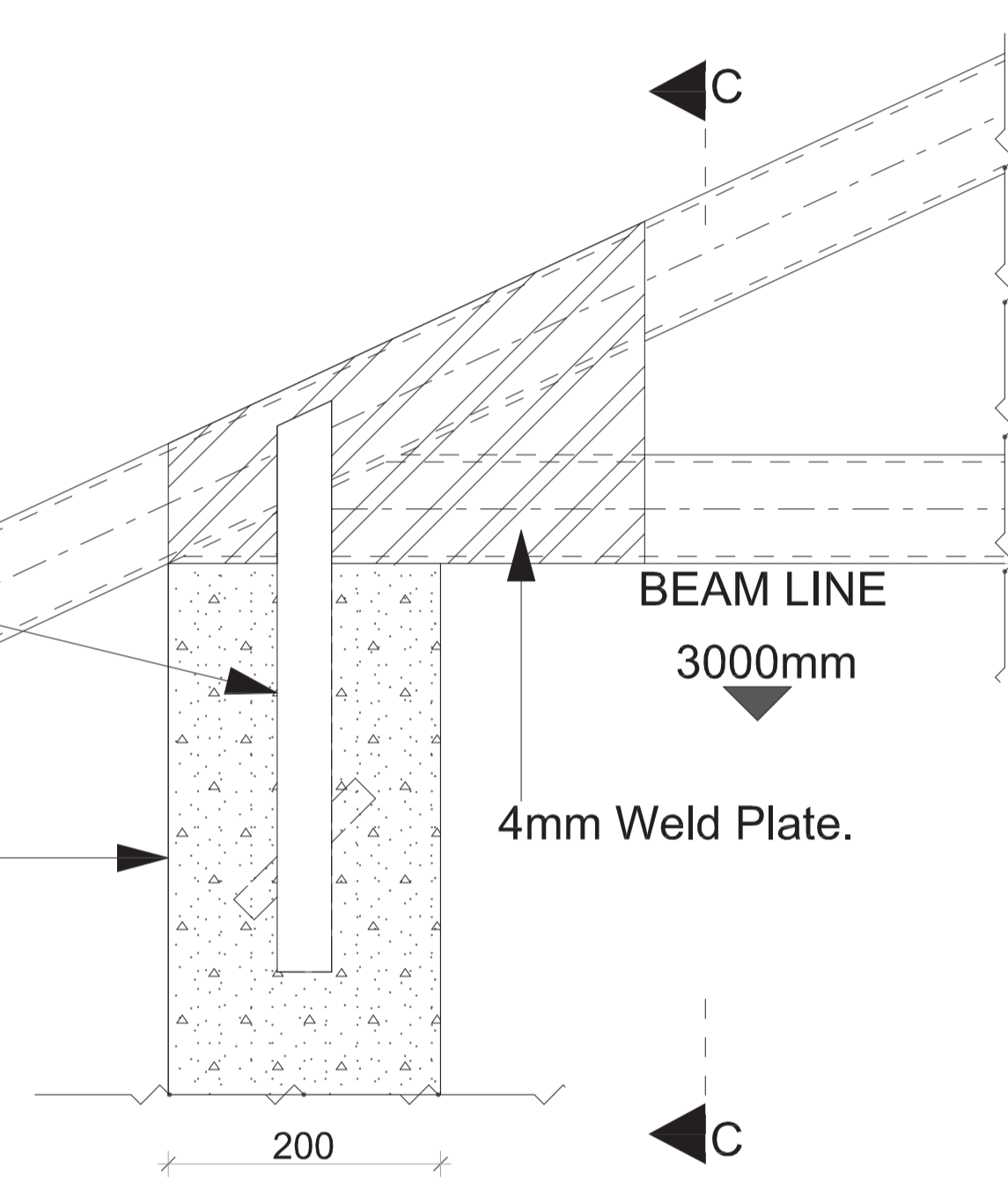


10 WINDOW SILL DETAIL.
SCALE 1:10

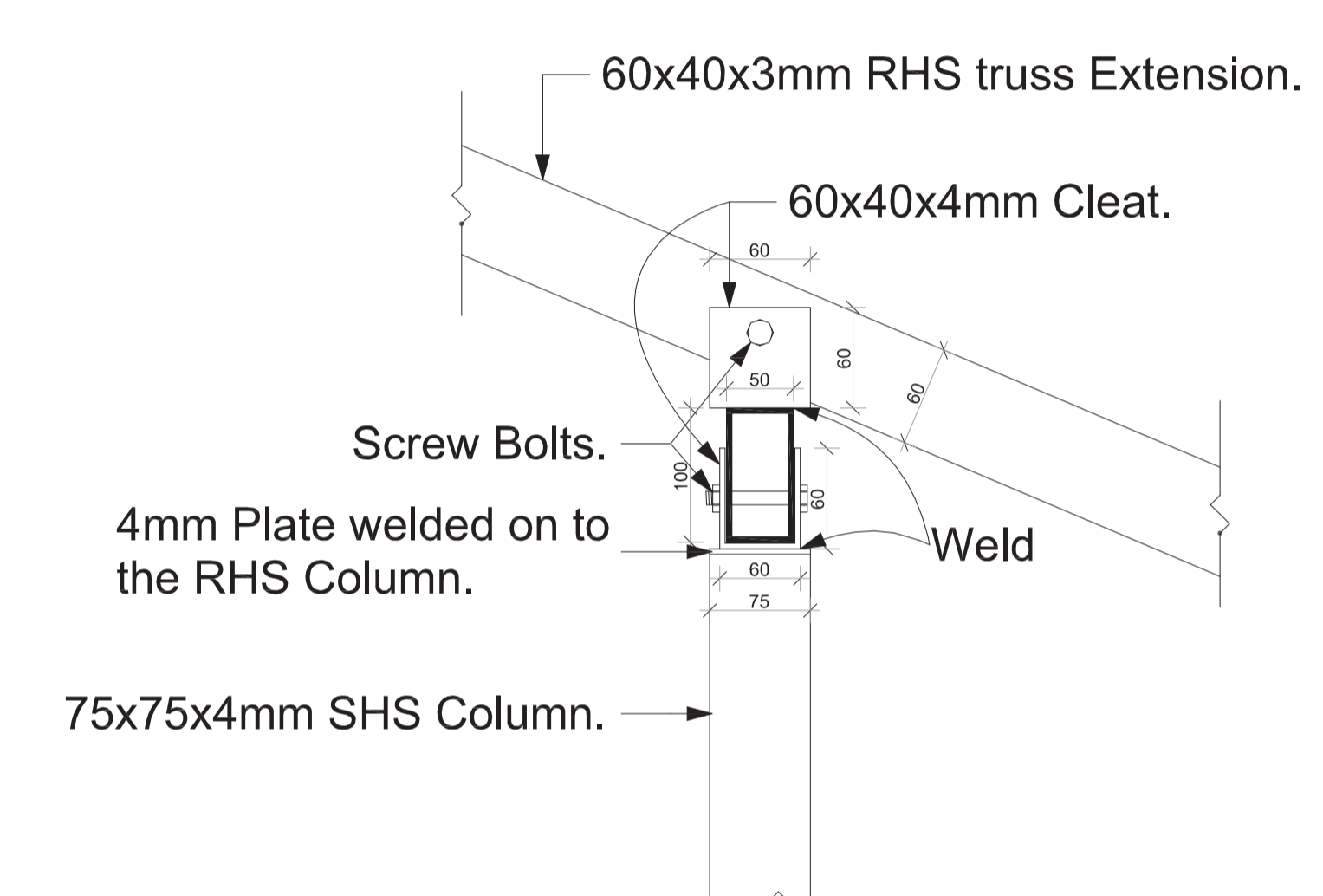


3 PLAN
SCALE 1:10

4 STEEL SCISSOR TRUSS AND BEAM CONNECTION DETAIL
SCALE 1:10

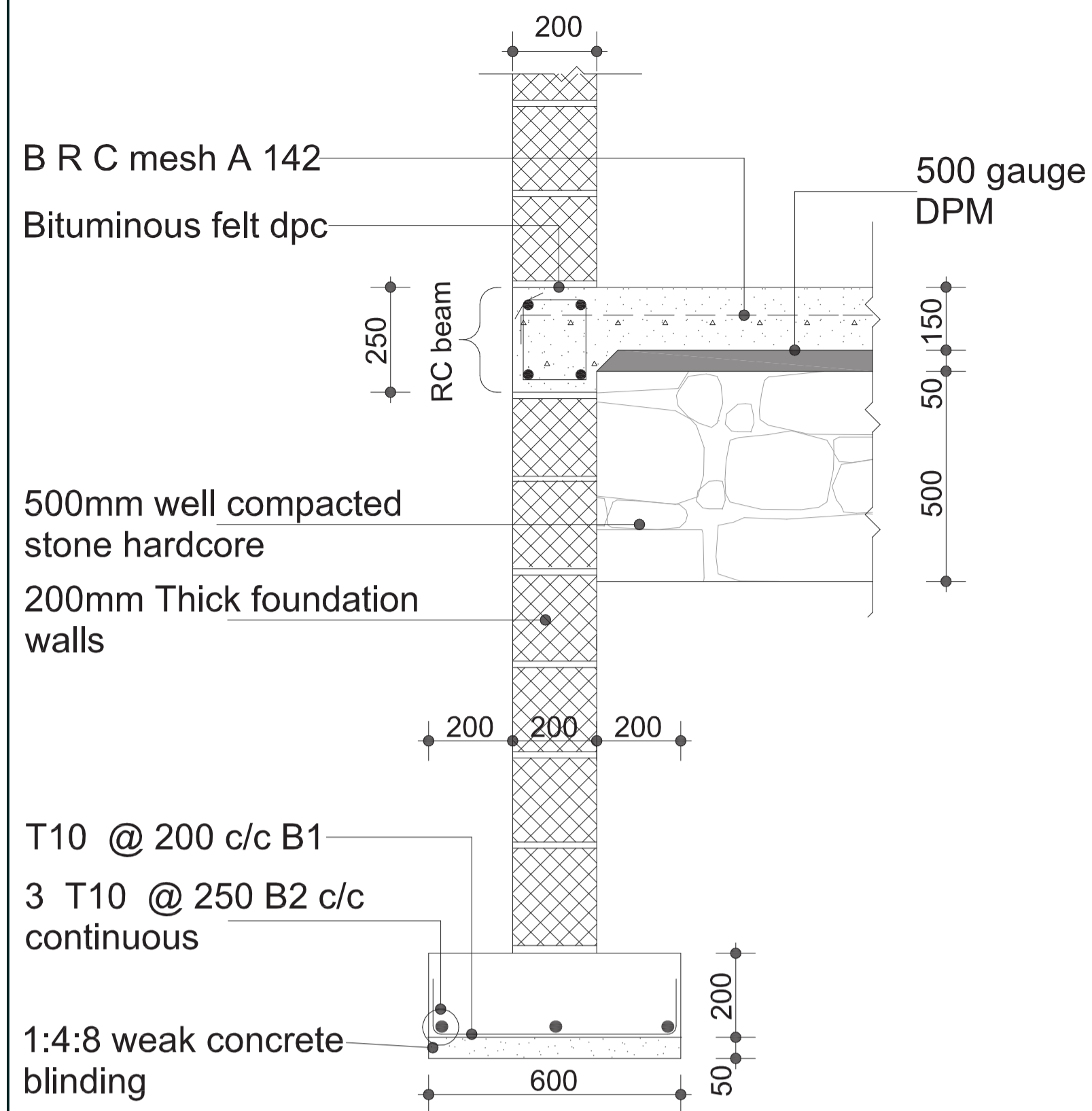


5 STEEL FINK TRUSS AND BEAM CONNECTION DETAIL
SCALE 1:10

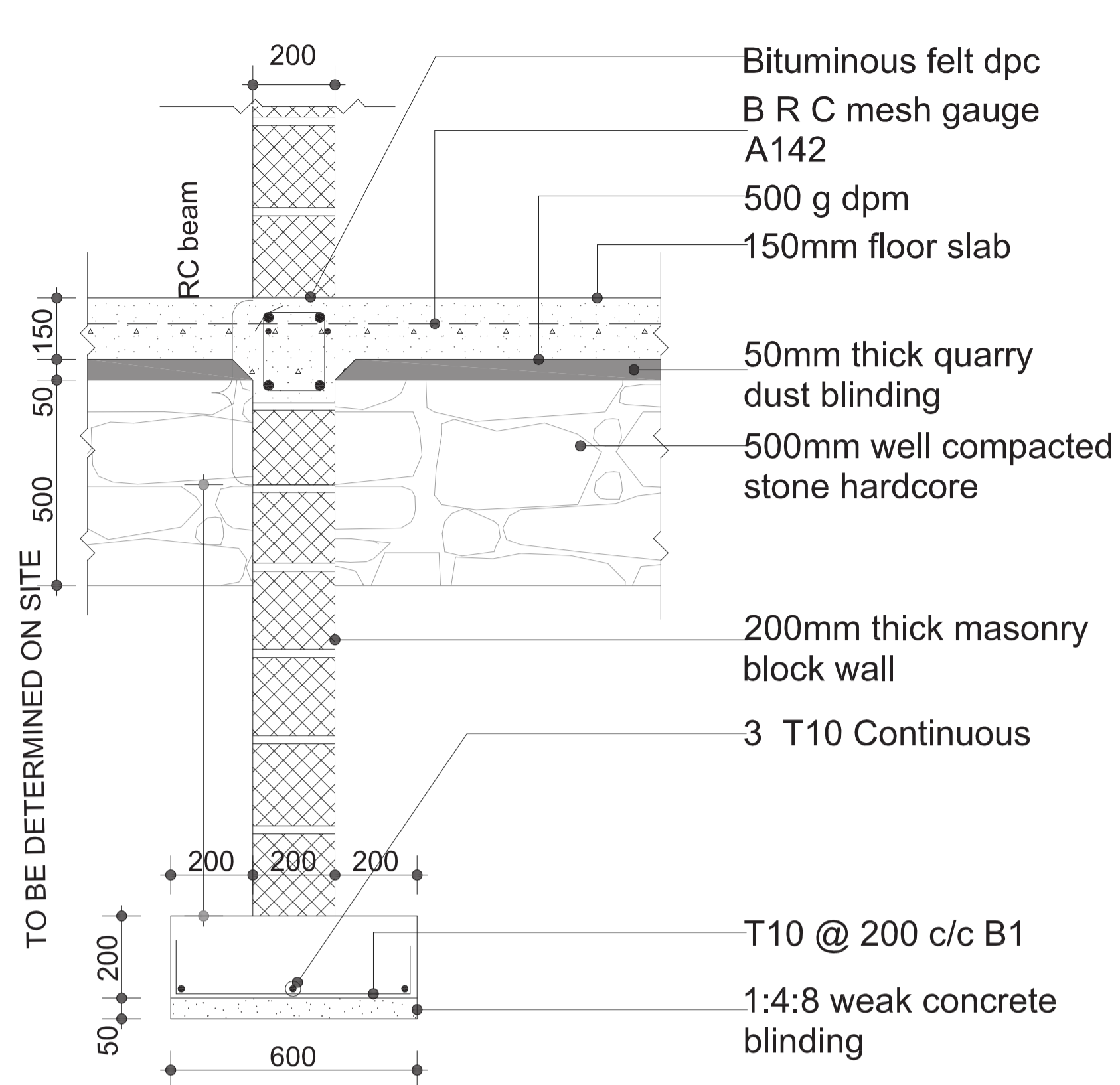


11 COLUMN & TRUSS CONNECTION DETAIL
SCALE 1:10

Project Title	Drawing Title	Check by:	Approved by:	Revision			Date	Drawn by	Project No	
				No	Date	Description			By	Drawing No
Construction of one block of two class rooms		Office of physical Planning & Construction, MoGEI	Ministry of Housing & Planning				8/08/2024	Oryem .W	01	
							Scale	Checked by James O		

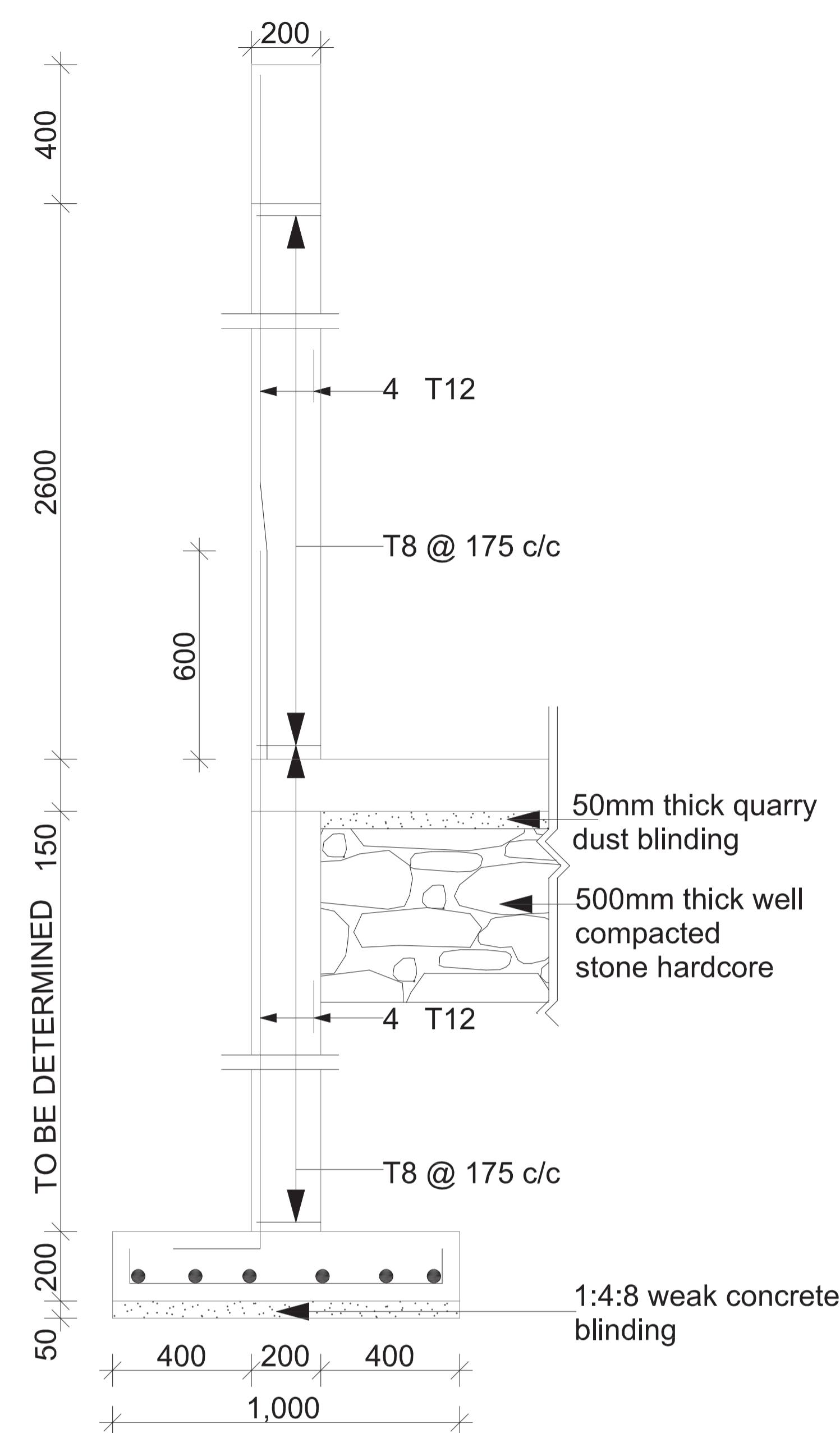


1 STRIP FOUNDATION FOOTING - SECTION S01
SCALE 1:25

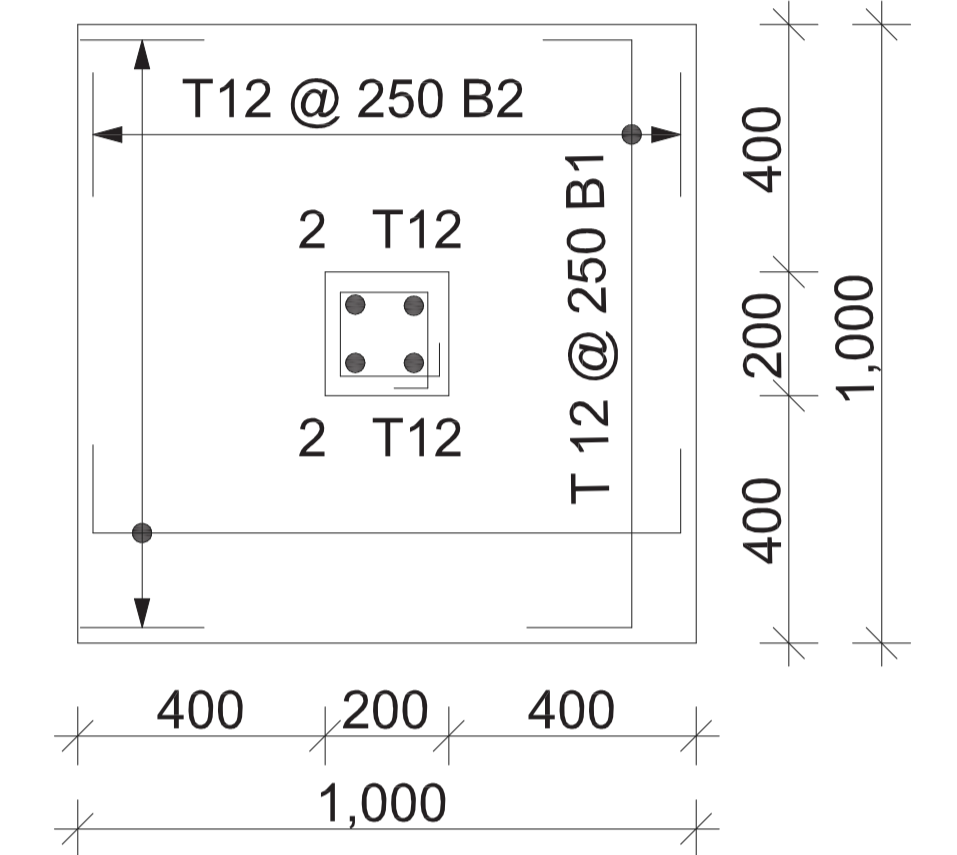


2 STRIP FOUNDATION FOOTING - SECTION S02
SCALE 1:25

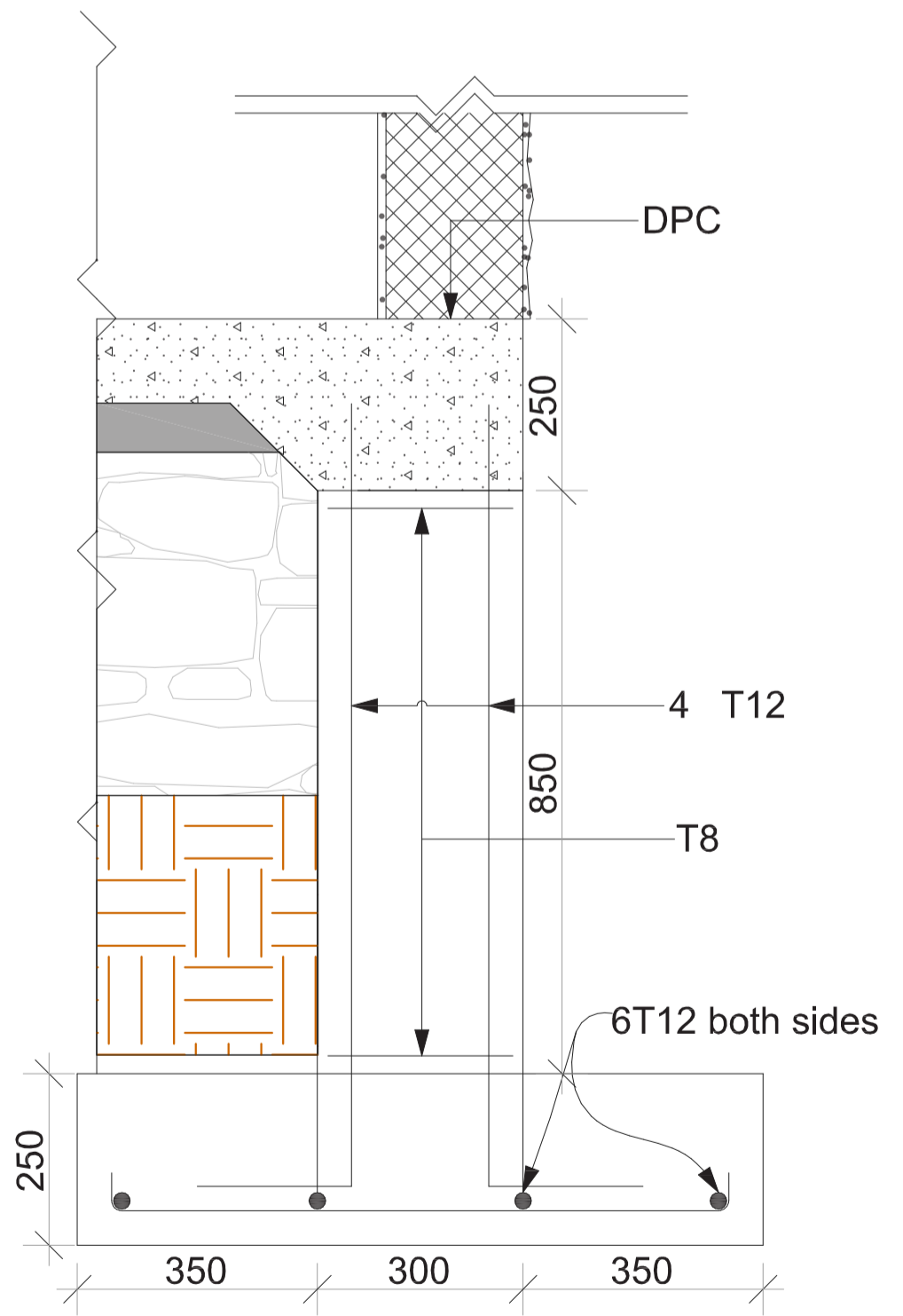
NOTE:
- ALL SLABS SHOULD BE BAYED USING EXPANSION JOINTS
- FOUR (4) BAYES PER FLOOR AREA



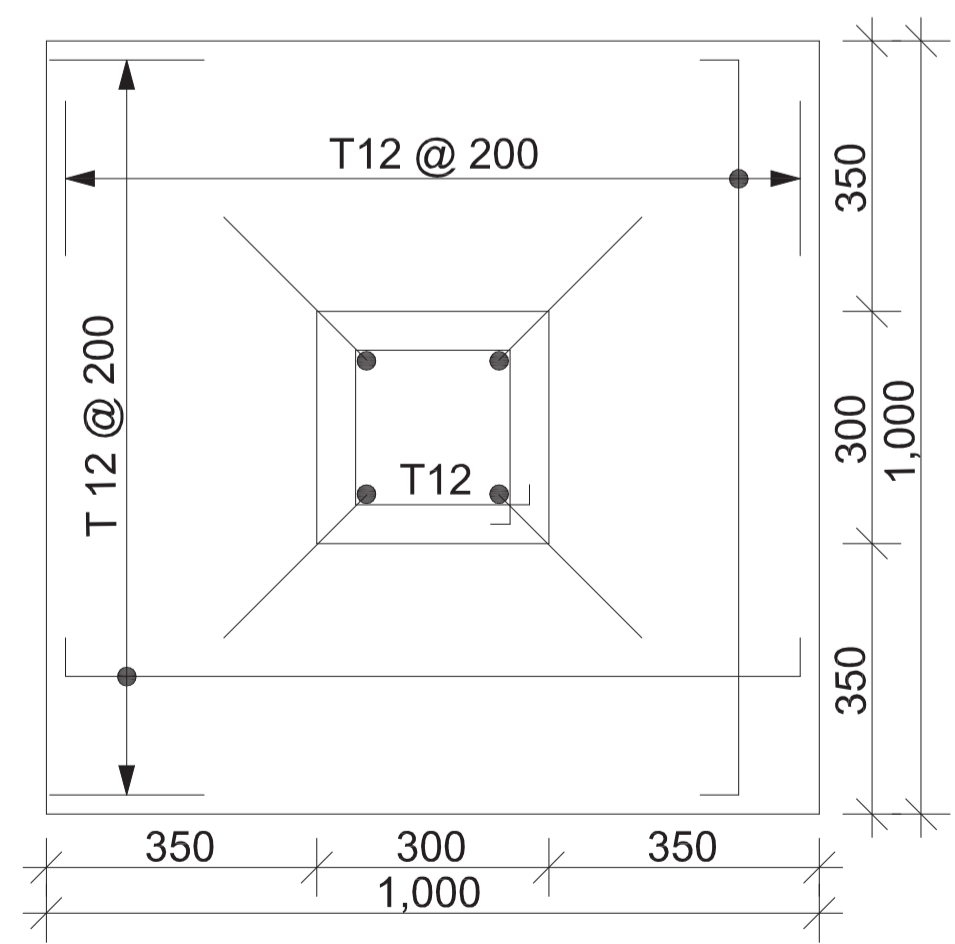
3 SECTION THROUGH COLUMN (C2)
SCALE 1:25



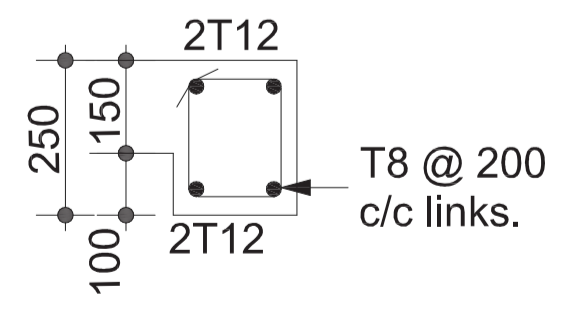
4 COLUMN BASE (TYPE C1)
SCALE 1:25



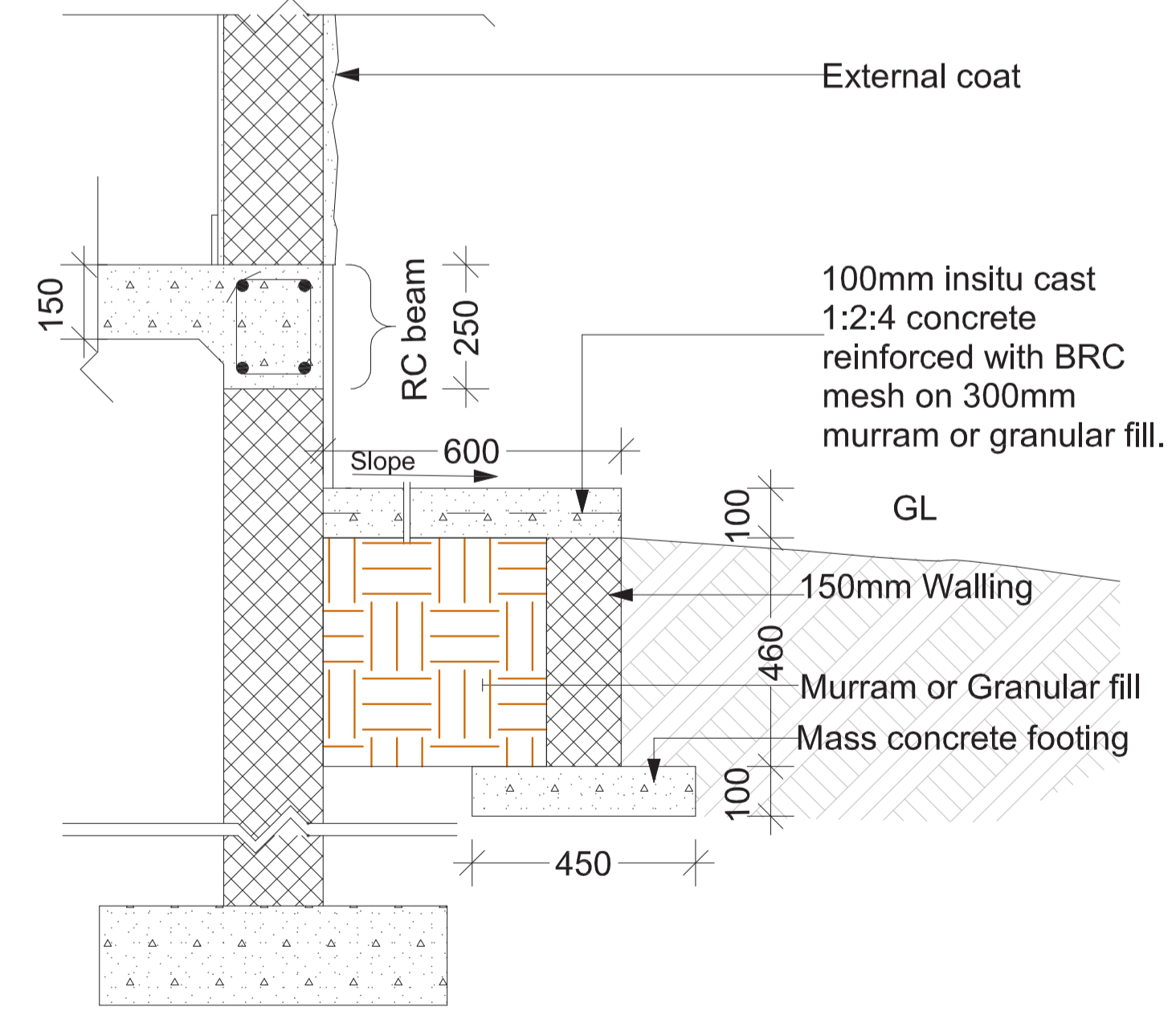
5 SECTION THROUGH STUB COLUMN (C1)
SCALE 1:20



6 COLUMN BASE (TYPE C2)
SCALE 1:10

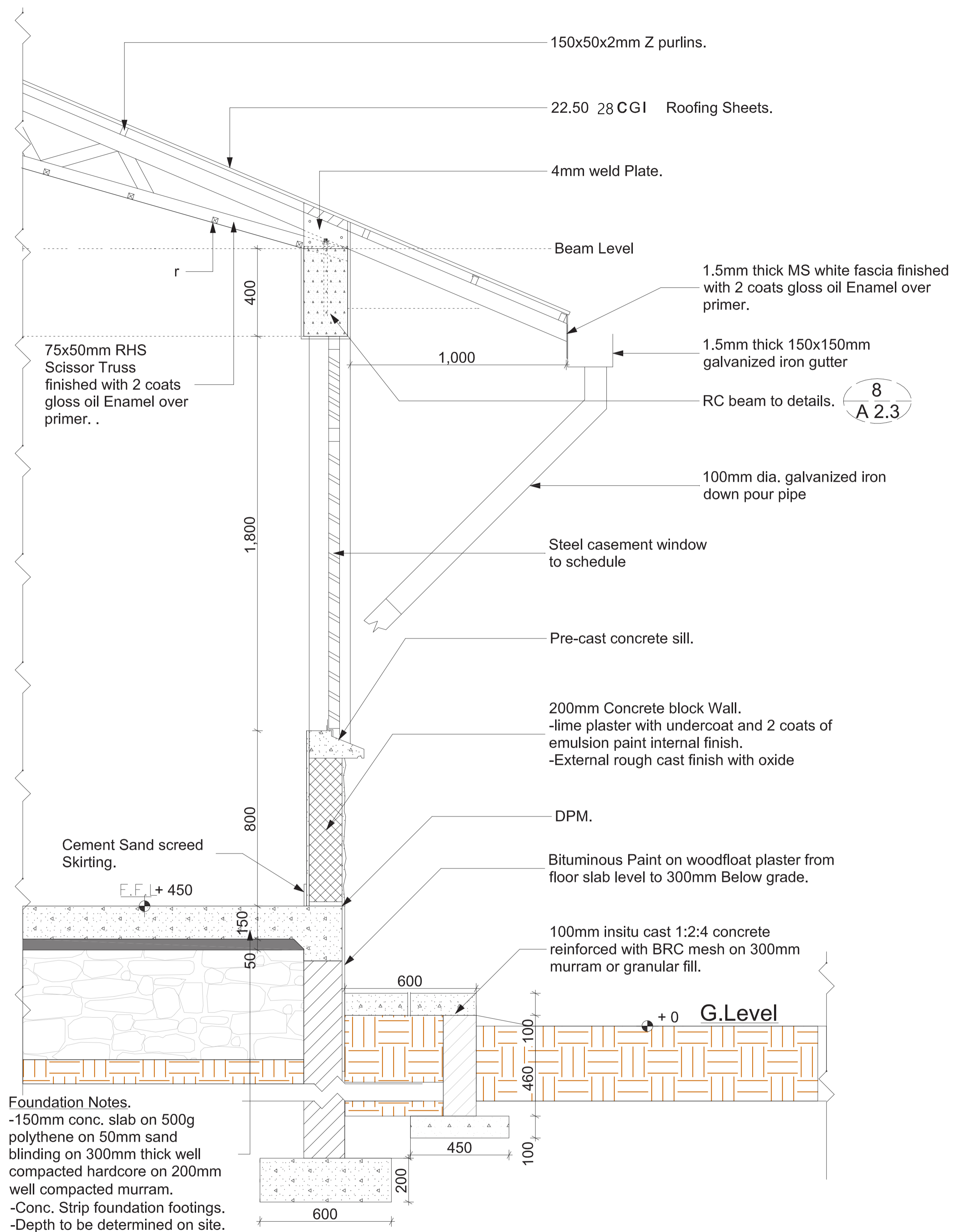


SECTION THROUGH
250x200mm GROUND BEAM
SCALE 1:25

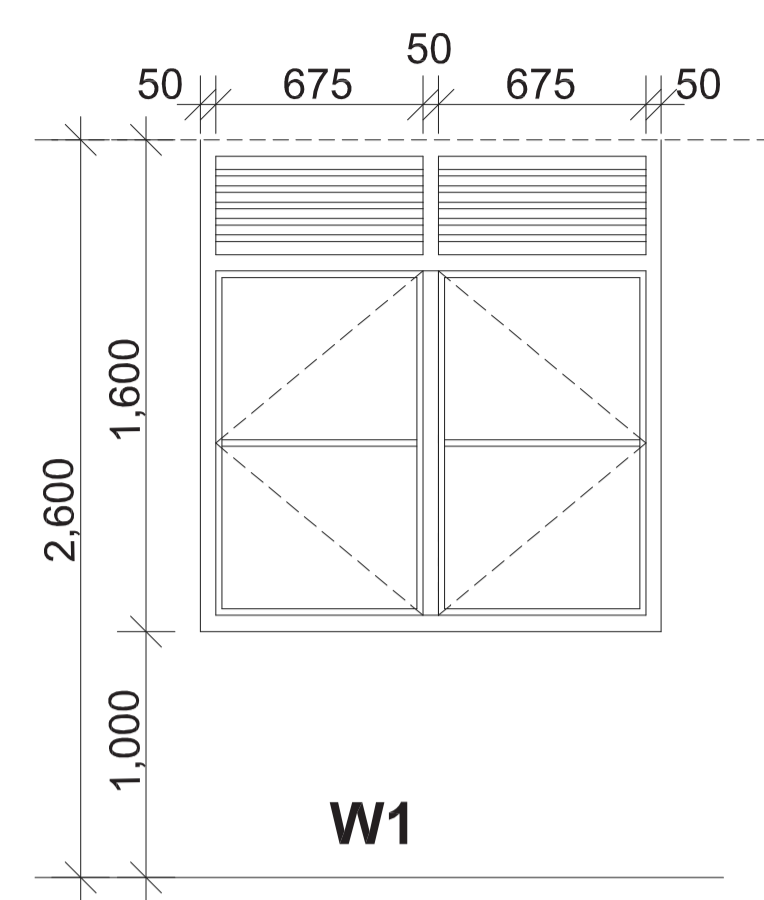


7 TYPICAL SECTION FOR PAVING SLAB
SCALE 1:25

Project Title	Drawing Title	Check by:	Approved by:	Revision				Date	Drawn by	Project No	
				No	Date	Description	By			Drawing No	Revision
FCA Finn Church Aid Ensure Quality Inclusive and Protective Learning in Regional response to crisis in Sudan and South Sudan(EQUAL)	Construction of one block of two class rooms	Office of physical Planning & Construction, MoGEI	Ministry of Housing & Planning					8/08/2024	Oryem .W	01	
								Scale	Checked by James O		

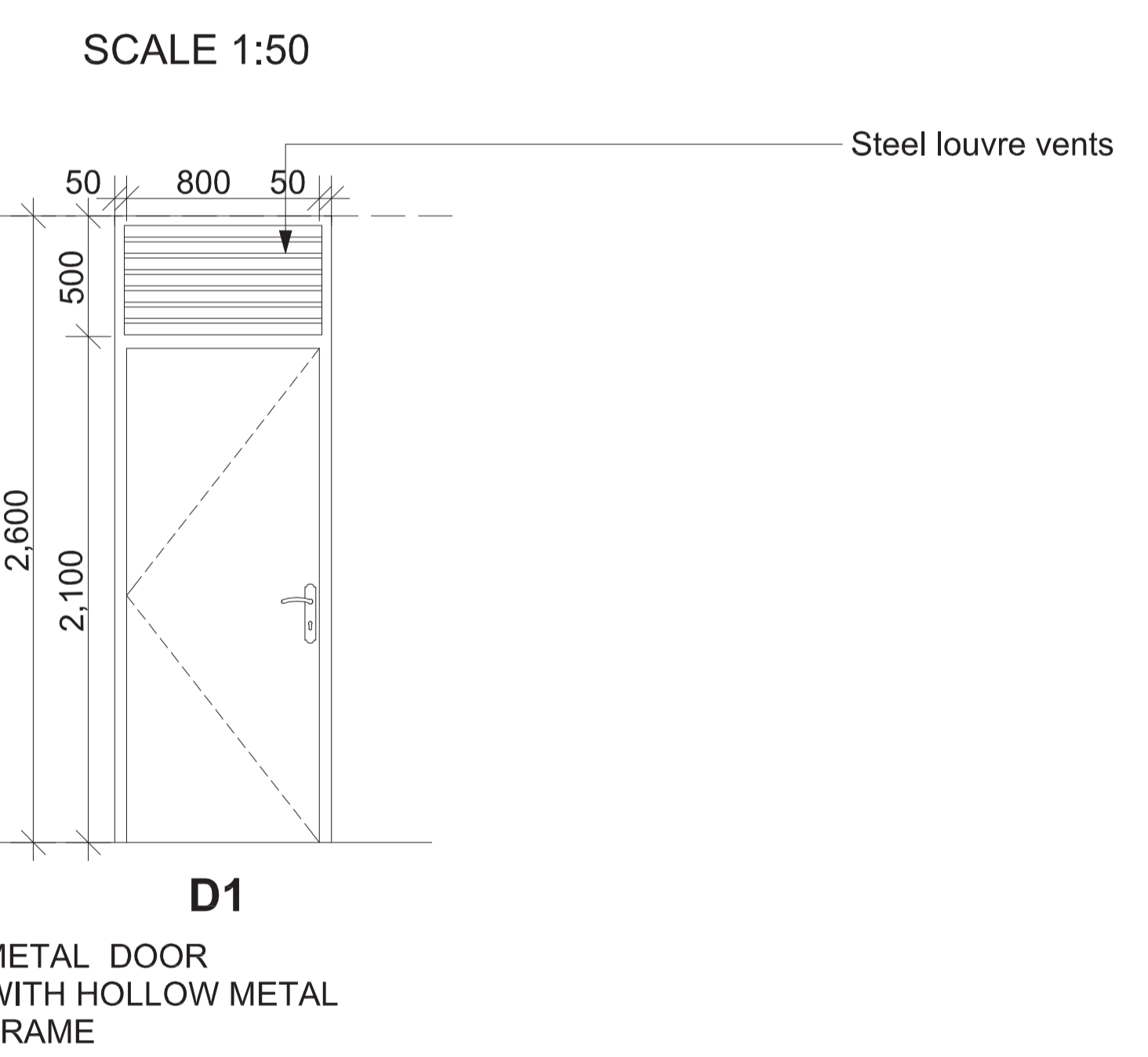


1 TYPICAL WALL SECTION
SCALE 1:25



2 WINDOW SCHEDULE
SCALE 1:50

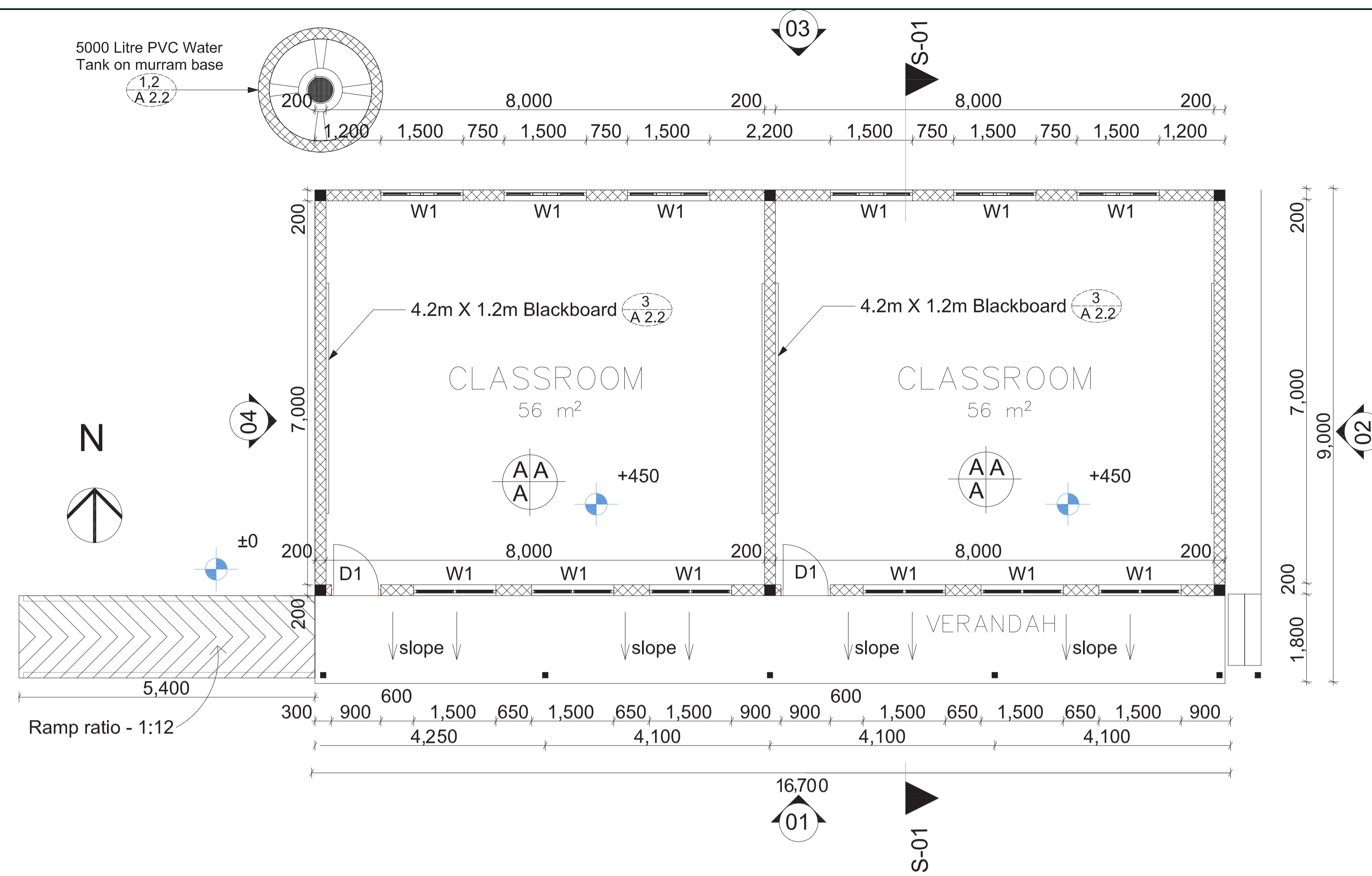
- NOTE:**
- ALL STEEL TO BE FINISHED WITH ZINC CHROMATE PRIMER AND 2 COATS OF WHITE GLOSS PAINT
 - ADMINISTRATION WINDOWS TO BE BURGLAR PROOFED
 - ALL MOSQUITO NETS TO BE REINFORCED WITH WELDED MESH G10



3 DOOR SCHEDULE
SCALE 1:50

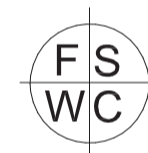
- NOTE:**
- ALL METAL DOOR FRAMES TO BE STEEL FRAMES
 - ALL STEEL TO BE FINISHED WITH ZINC CHROMATE PRIMER AND 2 COATS OF GLOSS PAINT
 - INTERNAL DOOR TO HAVE 2 LEVER LOCK
 - PROVIDE CYLINDER LOCK TO THE EXTERNAL DOOR

Project Title	Drawing Title	Check by:	Approved by:	Revision				Date	Drawn by	Project No	
				No	Date	Description	By			Drawing No	Revision
FCA Finn Church Aid	Ensure Quality Inclusive and Protective Learning in Regional response to crisis in Sudan and South Sudan(EQUAL)	Office of physical Planning & Construction, MoGEI	Ministry of Housing & Planning					8/08/2024	Oryem .W	01	
								Scale			



1 CLASSROOM
SCALE 1:100

FIXTURE FINISH LEGEND



F= FLOOR
S= SKIRTING
W= WALL
C= CEILING

SKIRTING
A= CEMENT SCREED

FLOOR

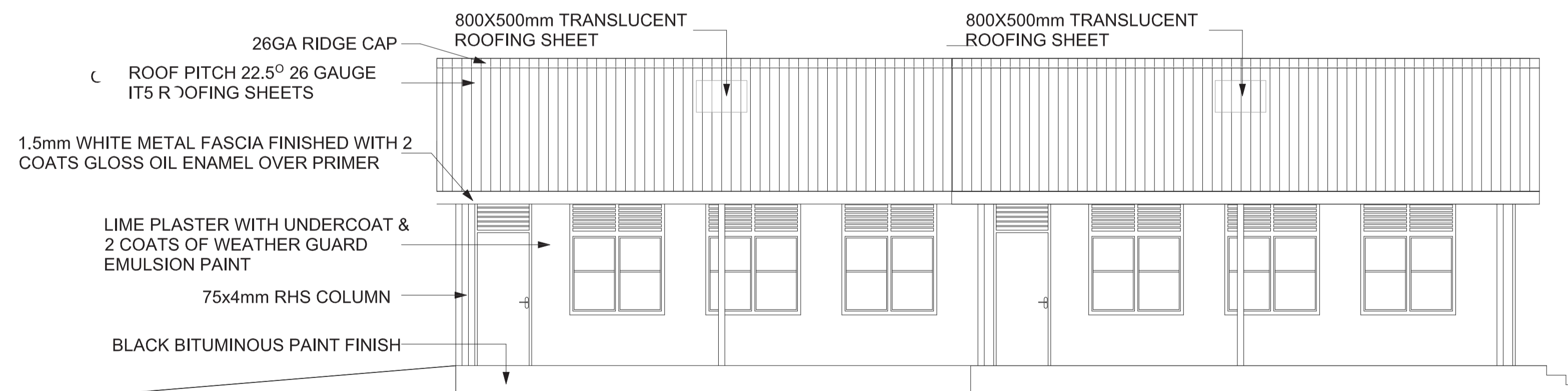
A= CONCRETE SLAB FLOATED WITH STEEL TROWEL AND BAYED USING EXPANSION JOINTS
B= CEMENT SCREED

WALL

A = LIME PLASTER FINISHED WITH SILK VINYL EMULSION PAINT

CEILING

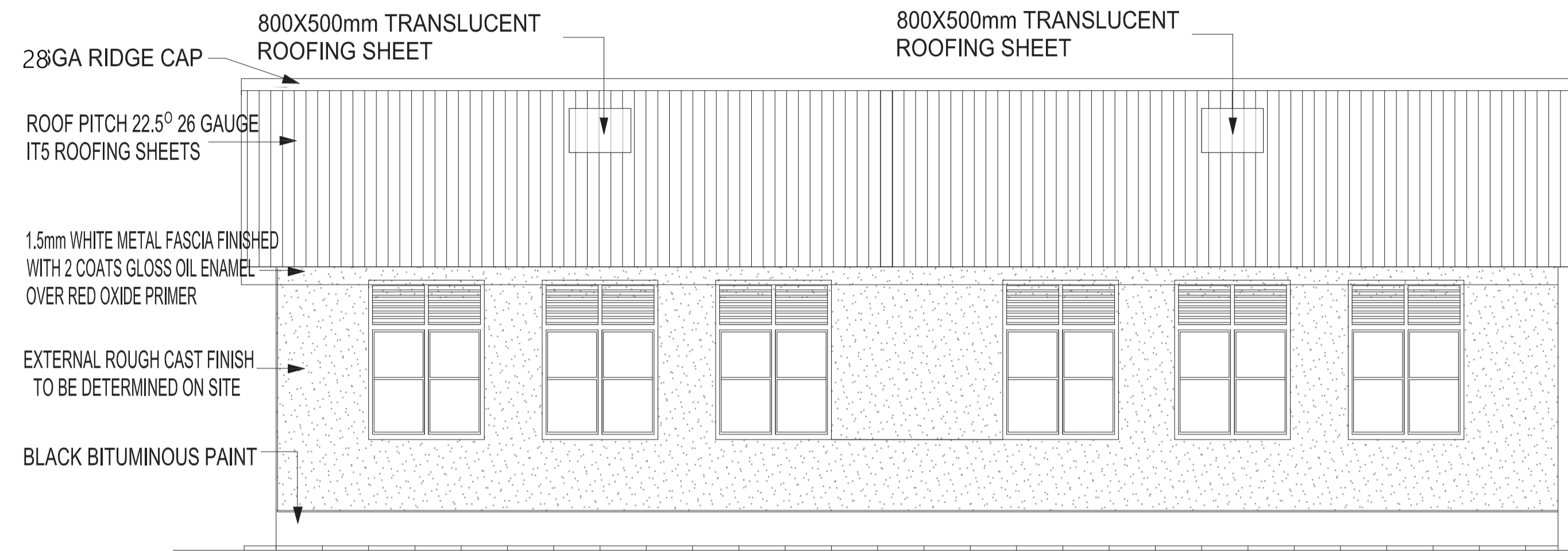
A = 9mm CHIPBOARD CEILING



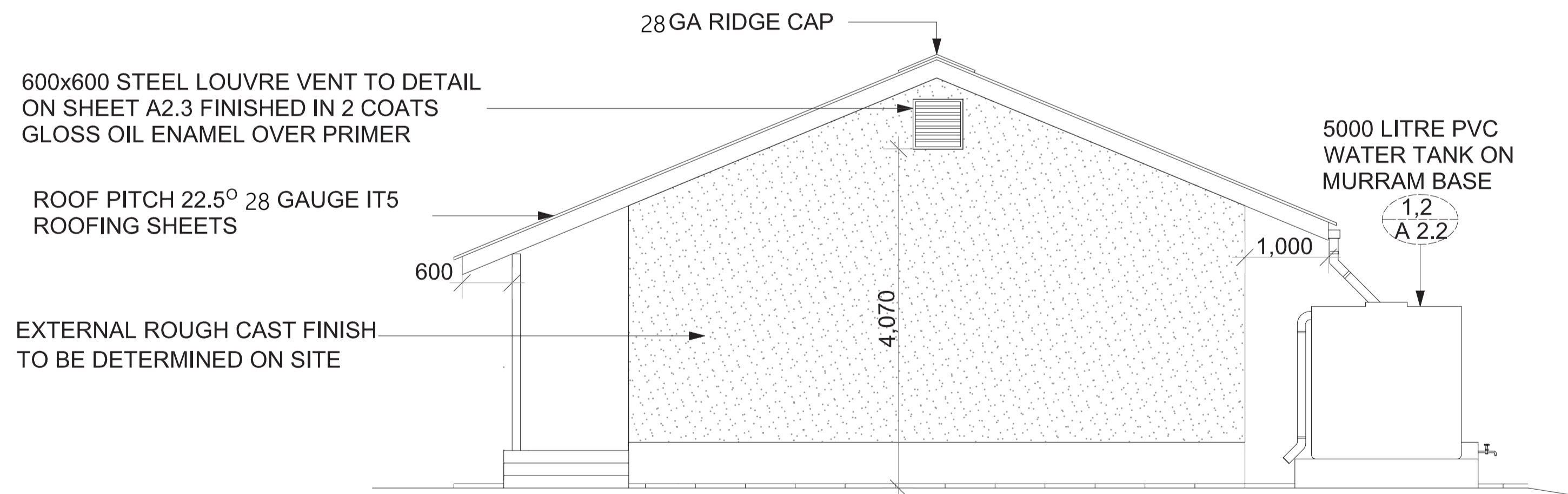
2 CLASSROOM ELEVATION 01
SCALE 1:100

Project FCA Finn Church Aid	Project Title Ensure Quality Inclusive and Protective Learning in Regional response to crisis in Sudan and South Sudan (EQUAL)	Drawing Title Construction of one block of two class rooms	Check by: Office of physical Planning & Construction, MoGEI	Approved by: Ministry of Housing & Planning	Revision				Date 8/08/2024	Drawn by Oryem .W	Project No	
					No	Date	Description	By	Scale	Checked by James O	01	Revision

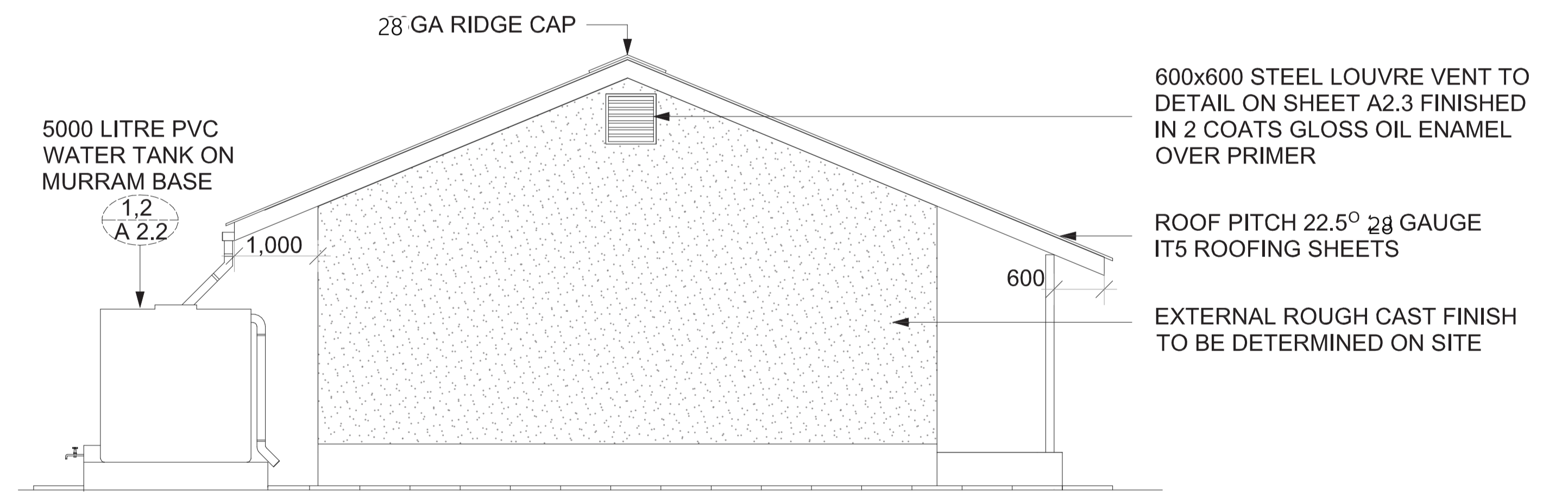
1 CLASSROOM - ELEVATION 03
SCALE 1:100



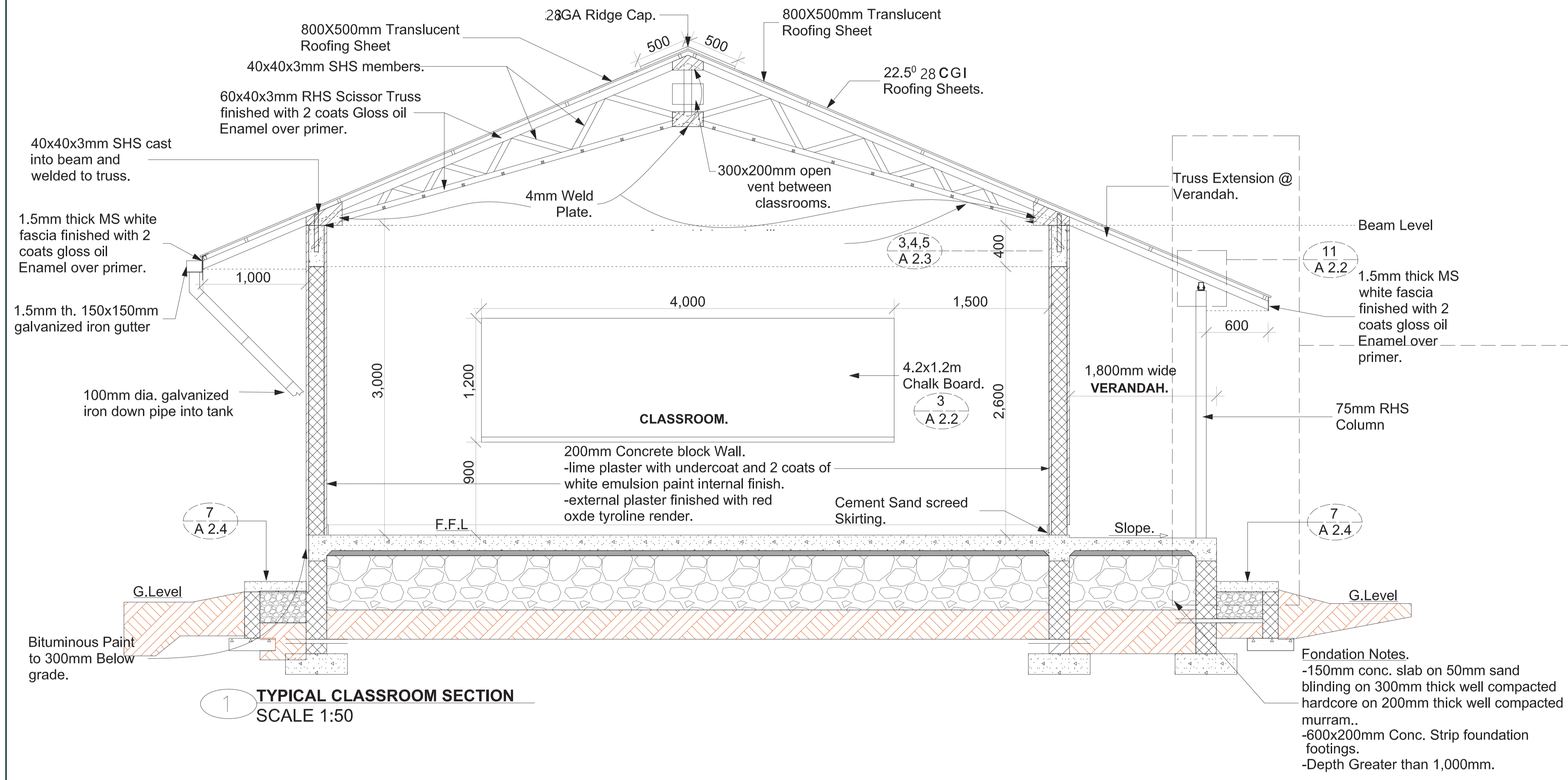
2 CLASSROOM - ELEVATION 02
SCALE 1:100



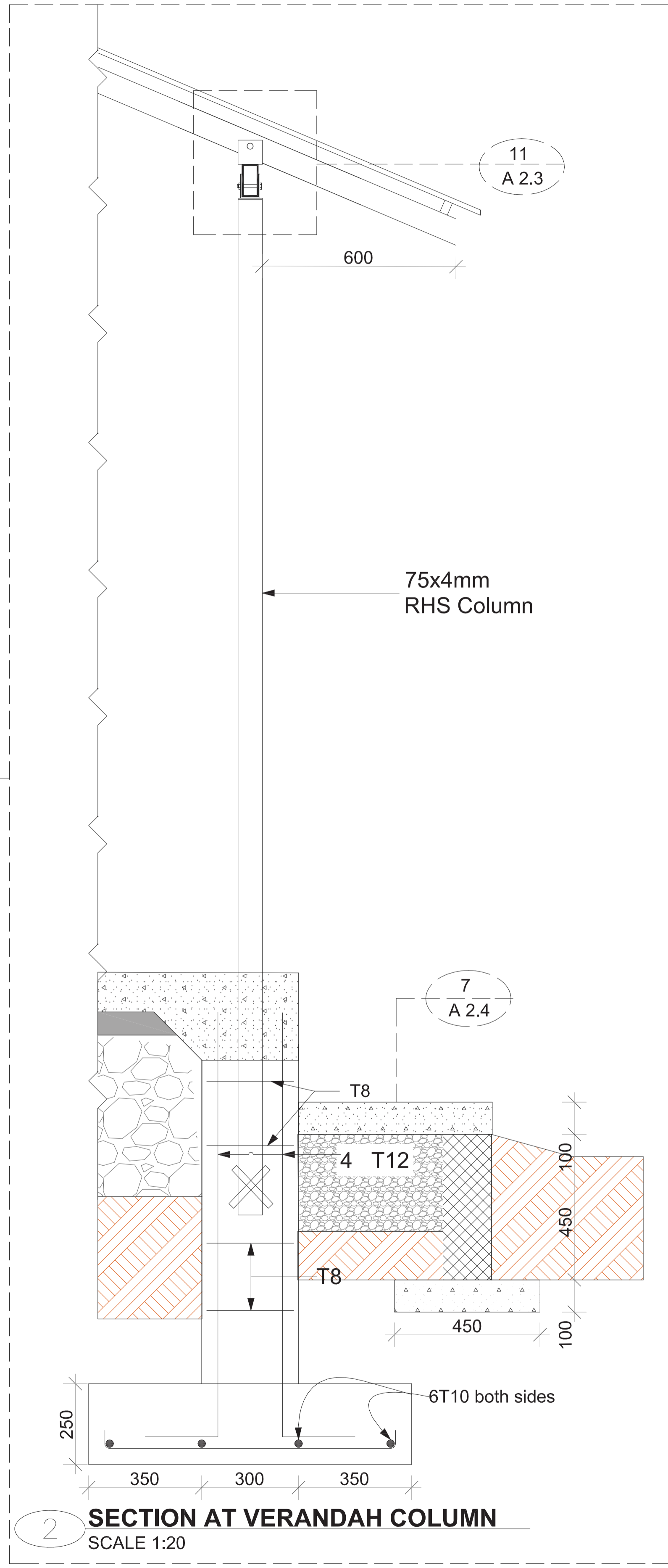
3 CLASSROOM - ELEVATION 04
SCALE 1:100



Project Title	Drawing Title	Check by:	Approved by:	Revision				Date	Drawn by	Project No	
				No	Date	Description	By			Drawing No	Revision
FCA Finn Church Aid Ensure Quality Inclusive and Protective Learning in Regional response to crisis in Sudan and South Sudan(EQUAL)t	Construction of one bloc of two class rooms	Office of physical Planning & Construction, MoGEI	Ministry of Housing & Planning					8/08/2024	Oryem .W Checked by James O	01	
								Scale			



1 **TYPICAL CLASSROOM SECTION**
SCALE 1:50



2 **SECTION AT VERANDAH COLUMN**
SCALE 1:20

Foundation Notes.
 -150mm conc. slab on 50mm sand blinding on 300mm thick well compacted hardcore on 200mm thick well compacted murrum..
 -600x200mm Conc. Strip foundation footings.
 -Depth Greater than 1,000mm.

	Project Title	Drawing Title	Check by:	Approved by:	Revision			Date	Drawn by	Project No		
	Ensure Quality Inclusive and Protective Learning in Regional response to crisis in Sudan and South Sudan(EQUAL)	Construction of one block of two class rooms	Office of physical Planning & Construction, MoGEI	Ministry of Housing & Planning	No	Date	Description	By	8/08/2024	Oryem .W	Drawing No	Revision
									Scale	Checked by James O	01	

