

**1 GIRLS' TOILET**  
SCALE 1:50

**FIXTURE FINISH LEGEND**

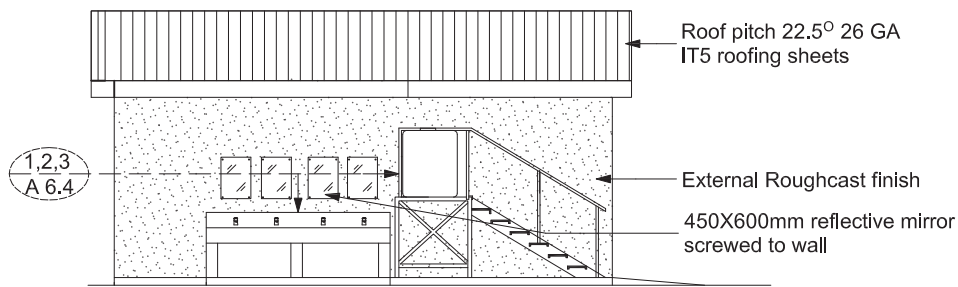
F= FLOOR  
S= SKIRTING  
W= WALL  
C= CEILING

**FLOOR**  
A= CONCRETE SLAB FLOATED WITH STEEL TROWEL  
B= CEMENT SCREED

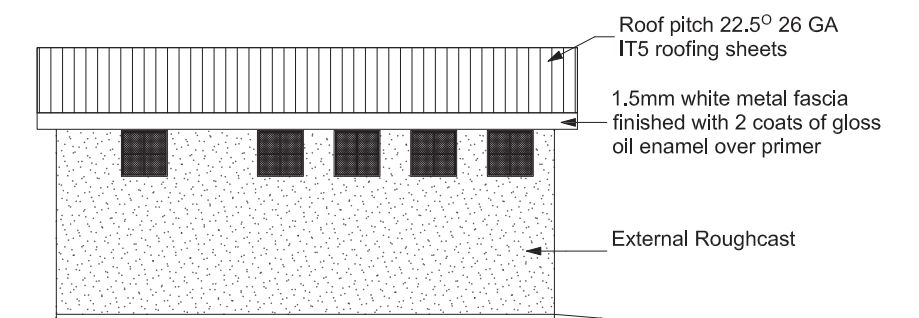
**SKIRTING**  
A= CEMENT SCREED

**WALL**  
A = LIME PLASTER FINISHED WITH SILK VINYL EMULSION PAINT

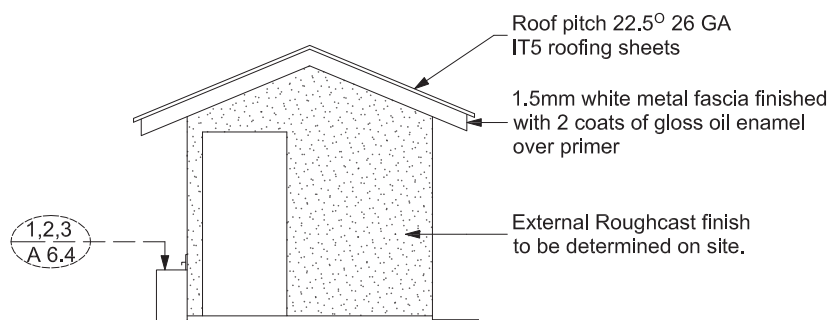
**CEILING**  
A = 9mm CHIPBOARD CEILING



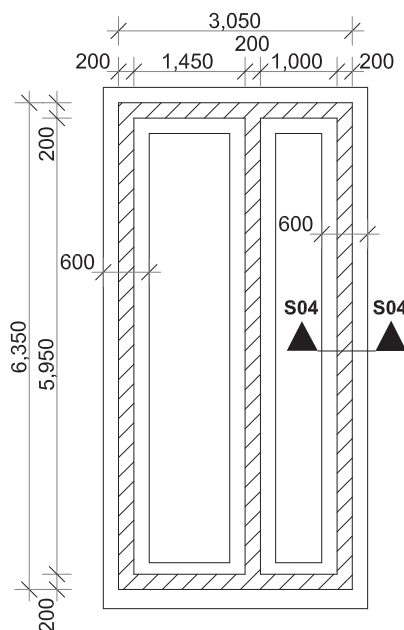
**2 GIRLS' TOILET - FRONT ELEVATION**  
Scale 1:100



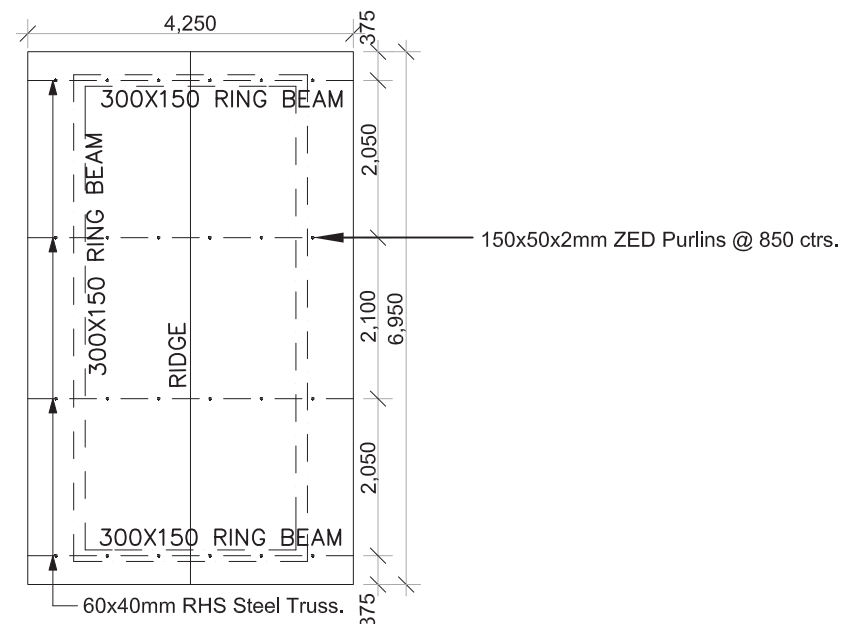
**3 GIRLS' TOILET - REAR ELEVATION**  
Scale 1:100



**4 GIRLS' TOILET - SIDE ELEVATION**  
Scale 1:100



**5 GIRLS' TOILET FOUNDATION PLAN**  
SCALE 1:100



**6 GIRLS' TOILET ROOF FRAMING PLAN**  
SCALE 1:100



**Project Title**  
GPE Flood Respond

**Drawing Title**  
Construction of four stances with disability room for girls

**Check by:**  
Office of physical Planning & Construction, MoGEI

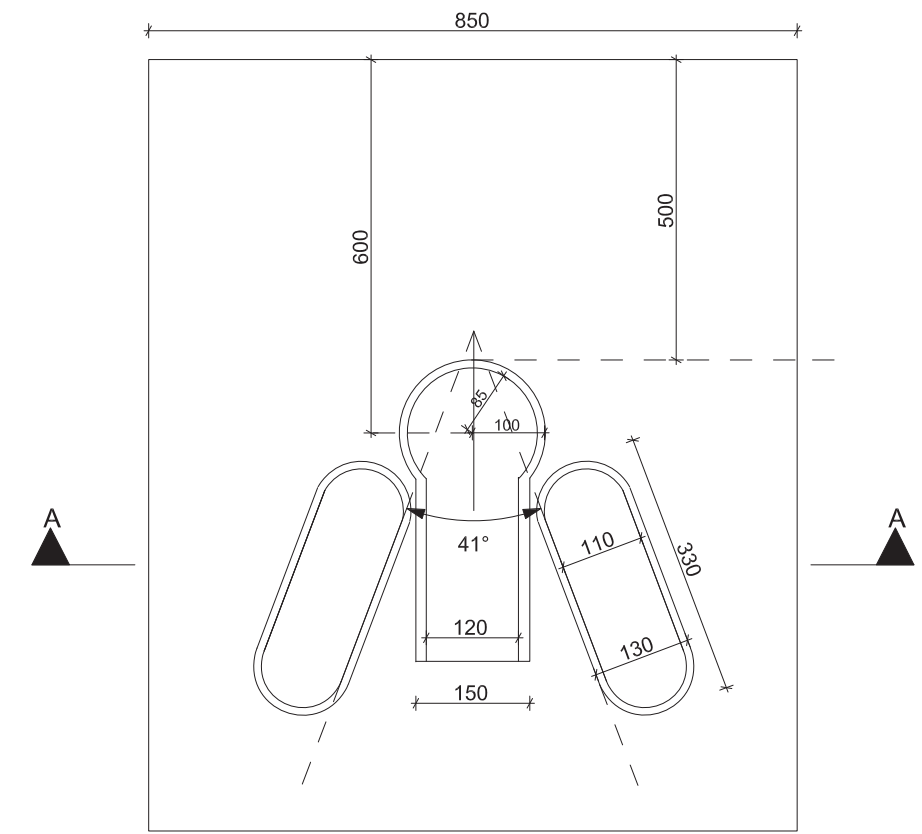
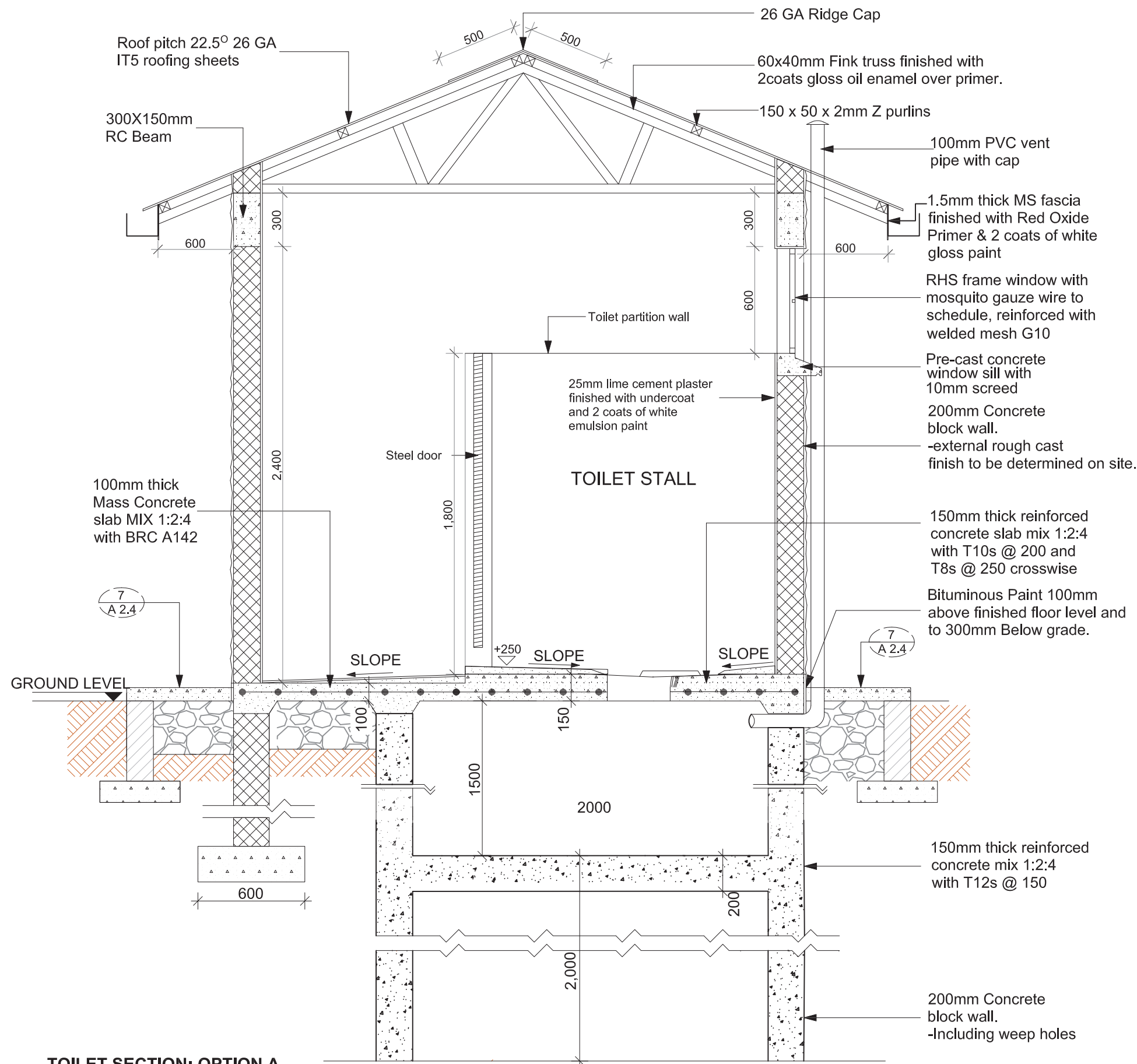
**Approved by:**  
Ministry of Housing & Planning

Revision			By
No	Date	Description	

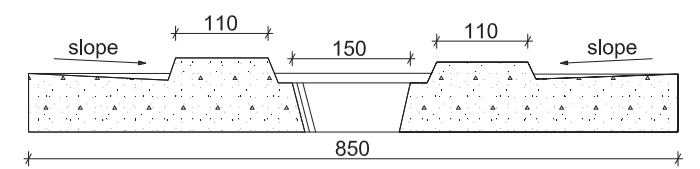
**Date**  
08/05/2023  
**Scale**

**Drawn by**  
Ojja C.  
**Checked by**  
James O

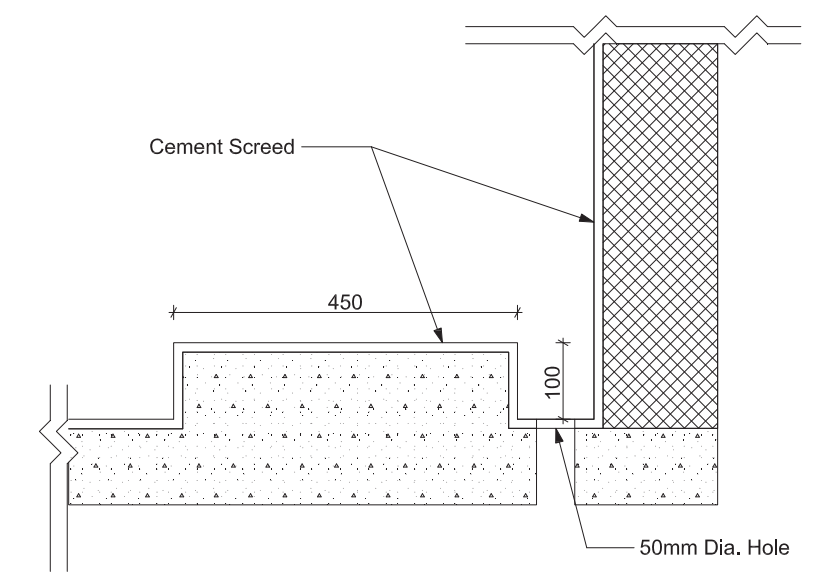
**Project No**  
Drawing No  
01  
**Revision**



2 TOILET FLOOR DETAIL  
SCALE 1:10



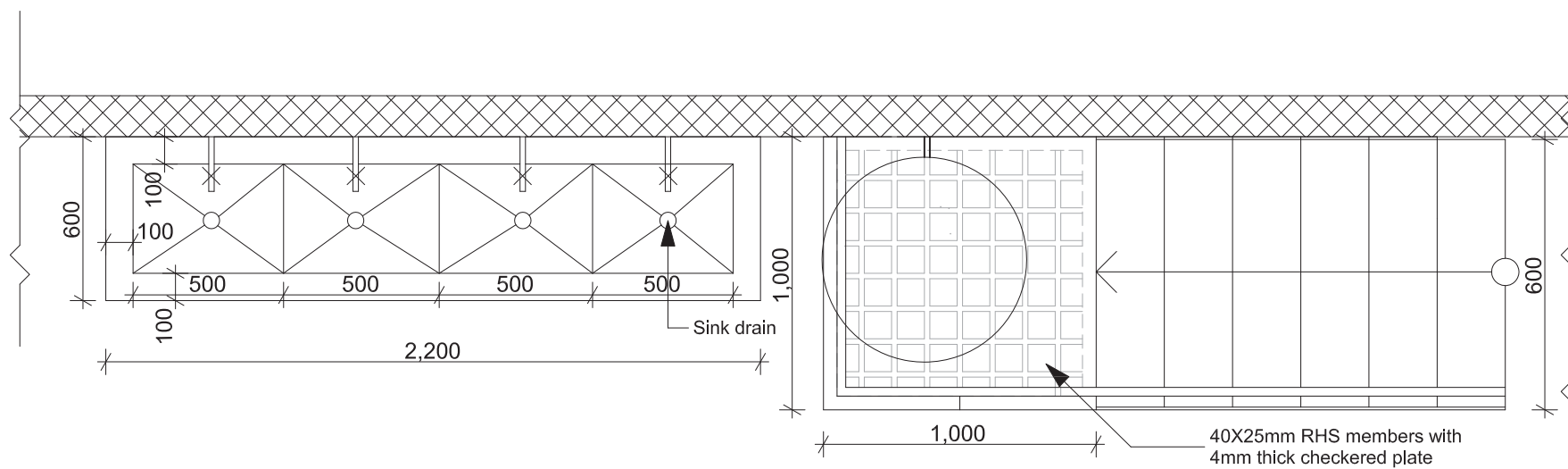
3 SECTION A-A  
SCALE 1:10



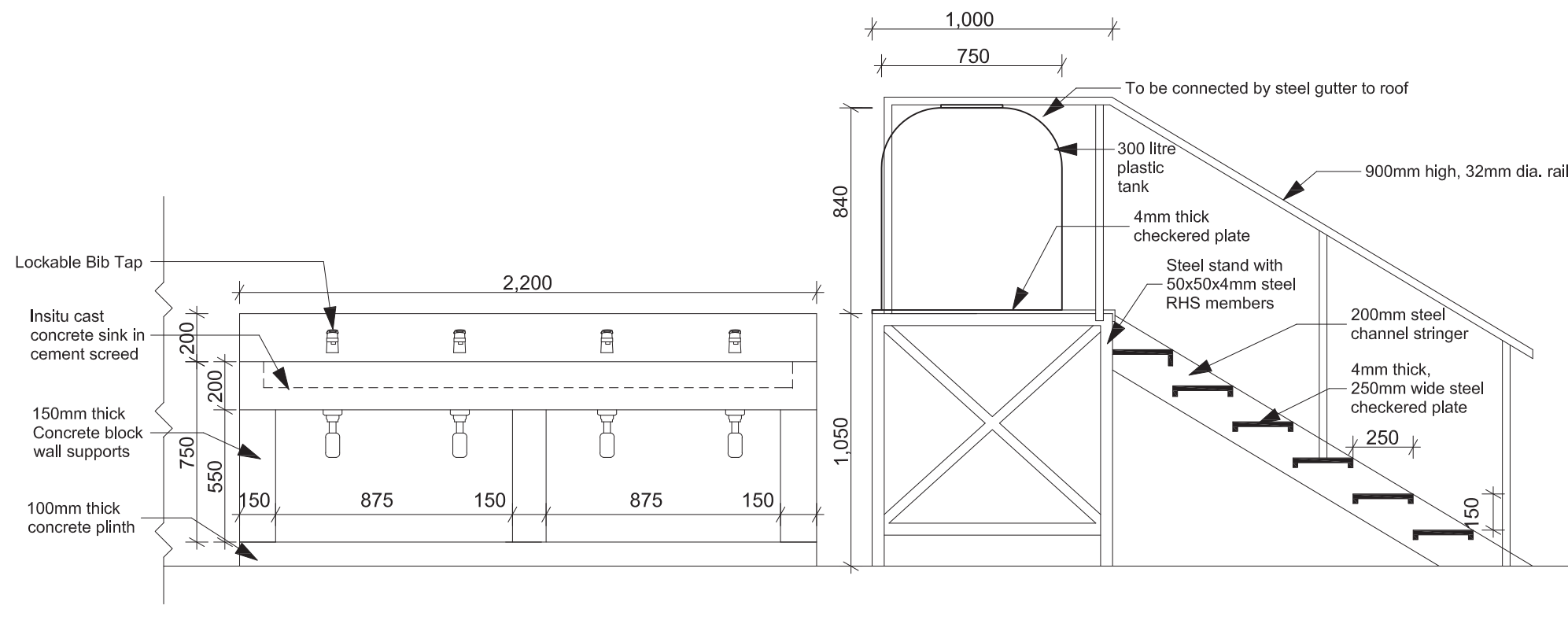
4 URINAL DETAIL  
SCALE 1:20

1 TOILET SECTION: OPTION A  
Simple drop pit

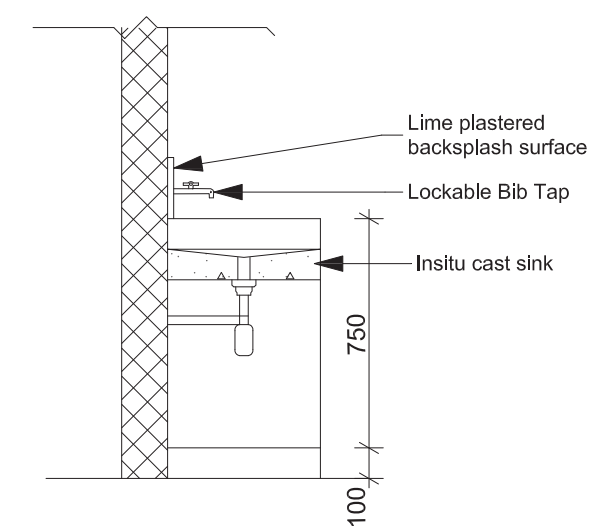
	<b>Project Title</b> GPE Flood Respond	<b>Drawing Title</b> Construction of four stances with disability room for girls	<b>Check by:</b> Office of physical Planning & Construction, MoGEI	<b>Approved by:</b> Ministry of Housing & Planning	<b>Revision</b>			<b>Date</b> 08/05/2023	<b>Drawn by</b> Ojja C.	<b>Project No</b>				
					No	Date	Description			By	Scale	Checked by James O	Drawing No 01	Revision



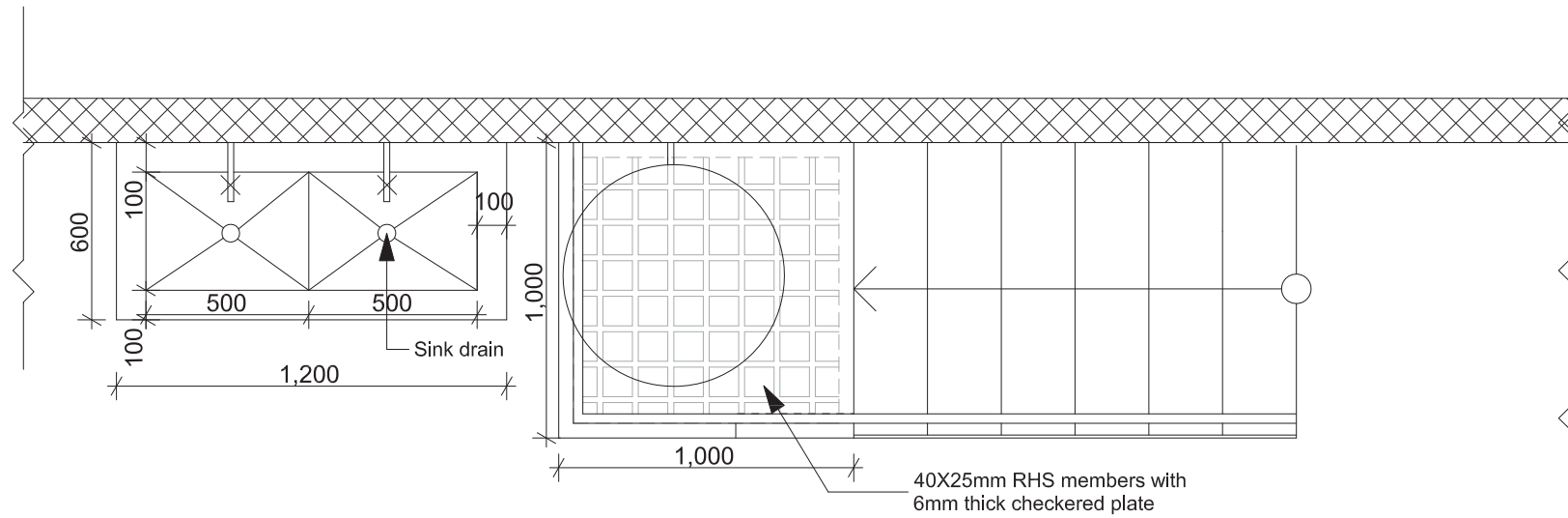
1 **SINK & WATER TANK PLAN (STUDENTS' TOILETS)**  
Scale 1:25



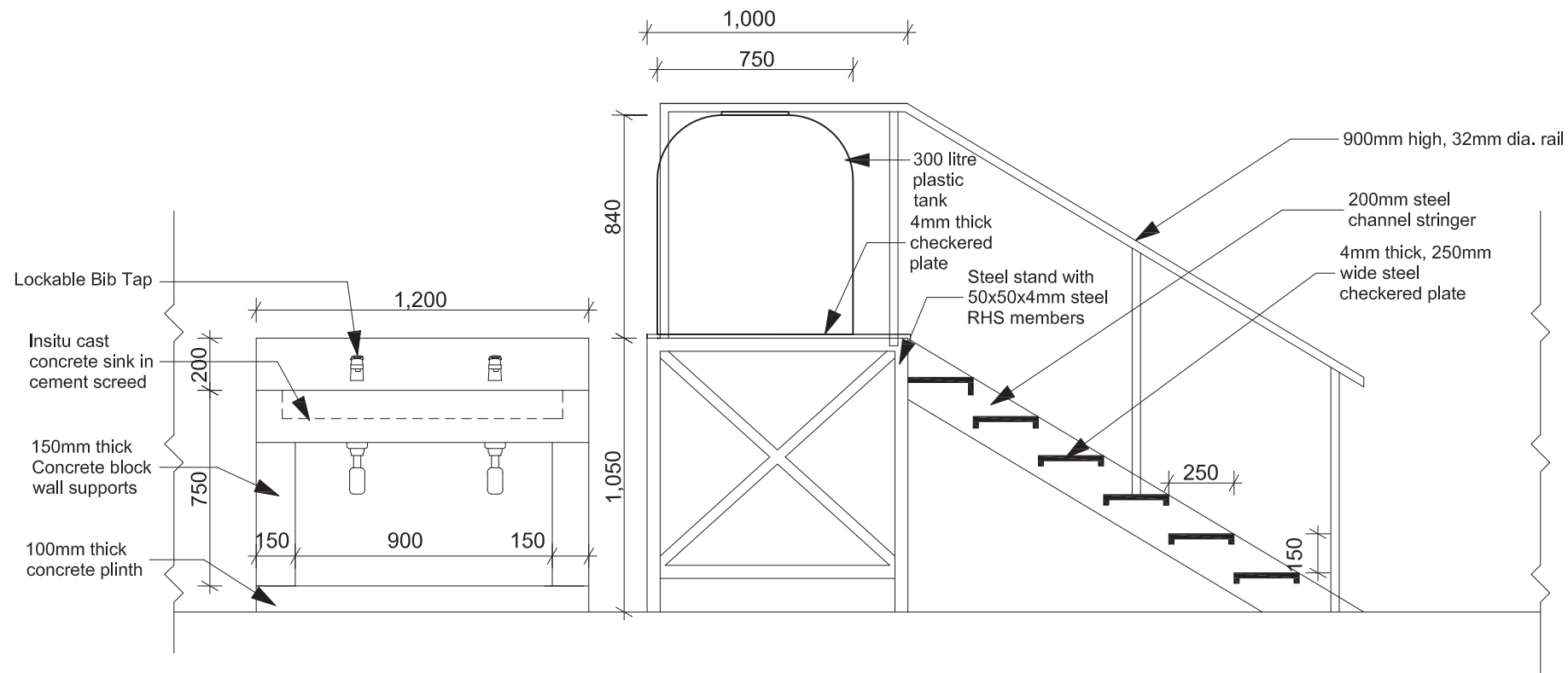
2 **SINK & WATER TANK ELEVATION (STUDENTS' TOILETS)**  
Scale 1:25



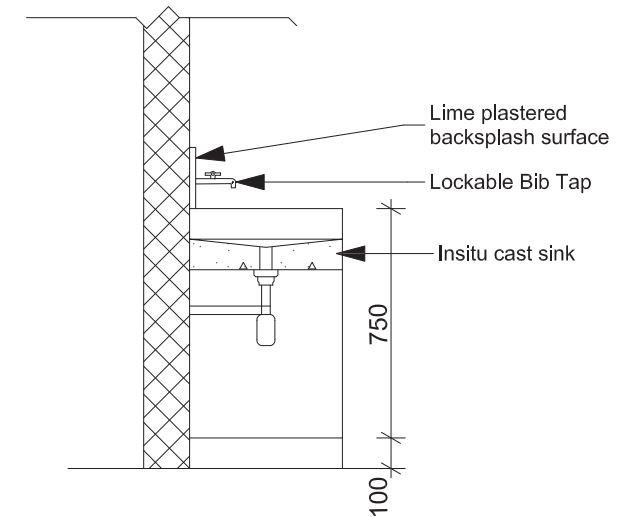
3 **SINK SECTION**  
Scale 1:25



1 **SINK & WATER TANK PLAN (TEACHERS' TOILETS)**  
Scale 1:25



2 **SINK & WATER TANK ELEVATION (TEACHERS' TOILETS)**  
Scale 1:25



3 **SINK SECTION**  
Scale 1:25