

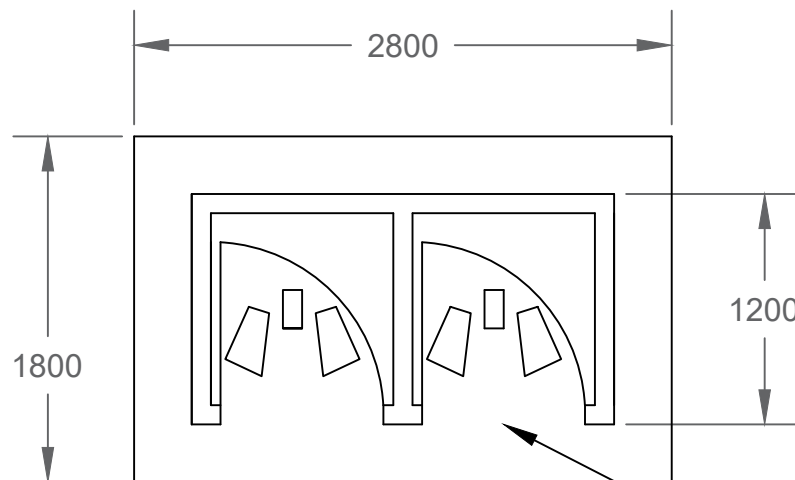
**SECTION
1:1000**

NOTES

1. All dimensions are in mm
2. Do not scale dimensions from drawings
3. Minimum concrete cover of 40mm to be maintained for all reinforcements
4. All cast concrete to be of grade C20
5. Proper bonding between new and old concrete to be ensured

Designed by SA	Checked by DM	Approved by SA	Date 06/09/23	Scale 1:1000
CHESO			Section VIP Latrine - Maternity Ward TiapTiap - Cueibet, LS	
			Revision	
			QIPS	01

Mark	Date	By	Revision	Date	Issue



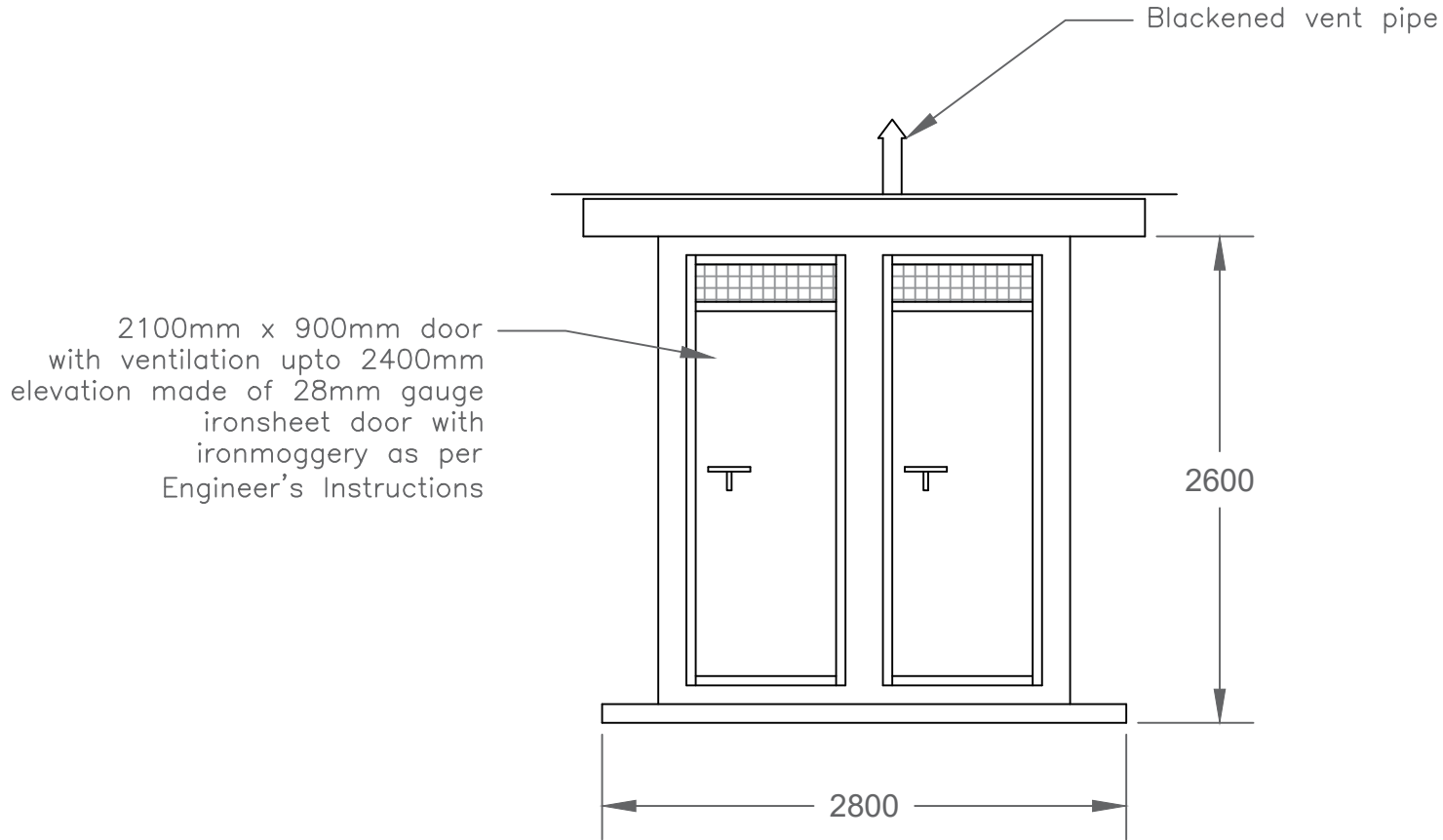
200mm brick masonry
1:3 ratio of mortar

NOTES

1. All dimensions are in mm
2. Do not scale dimensions from drawings
3. Minimum concrete cover of 40mm to be maintained for all reinforcements
4. All cast concrete to be of grade C20
5. Proper bonding between new and old concrete to be ensured

Designed by SA	Checked by DM	Approved by SA	Date 06/09/23	Scale 1:1000
CHESO		Plan VIP Latrine - Maternity Ward TiapTiap - Cueibet, LS		
		QIPS		Revision 01

Mark	Date	By	Revision	Date	Issue



**ELEVATION
1:1000**

Mark	Date	By	Revision	Date	Issue

- NOTES**
1. All dimensions are in mm
 2. Do not scale dimensions from drawings
 3. Minimum concrete cover of 40mm to be maintained for all reinforcements
 4. All cast concrete to be of grade C20
 5. Proper bonding between new and old concrete to be ensured

Designed by SA	Checked by DM	Approved by SA	Date 06/09/2023	Scale 1:1000
CHESO			Front Elevation Ventilated Improved Latrine TiapTiap - Cueibet, LS	
			QIPS	
			Revision	
			01	