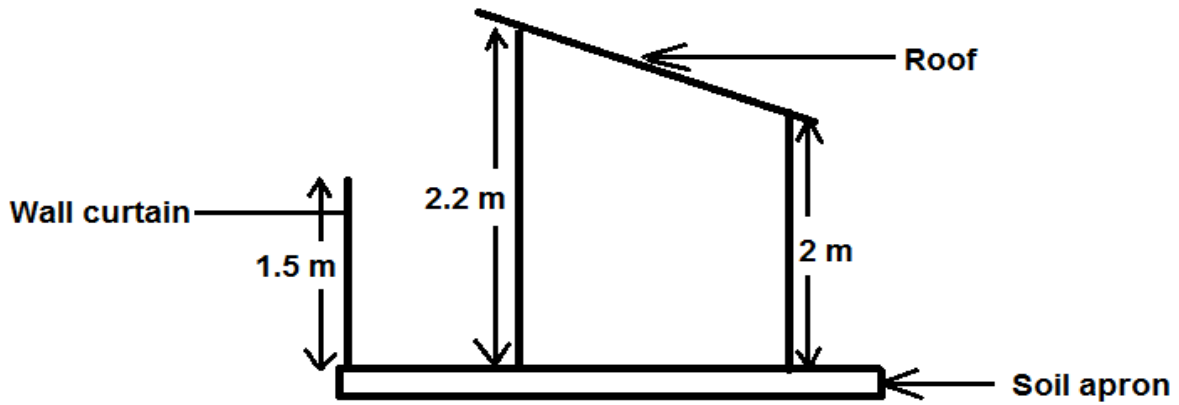


Annex A3 – Design of Latrine

SIDE VIEW OF THE TOILET



Ground plan

