

SHEET LISTS

| Sheet # | Sheet Name |
|---------|--------------------|
| G090 | Cover |
| A100 | Foundation DLayout |
| A110 | Floor Plain |
| A120 | Elevation A- |
| A130 | Elevation B- |
| A140 | Section X- |
| A150 | Structural Details |
| A160 | Roof Fram |
| A170 | Roof layout |
| A180 | Door and Windows |

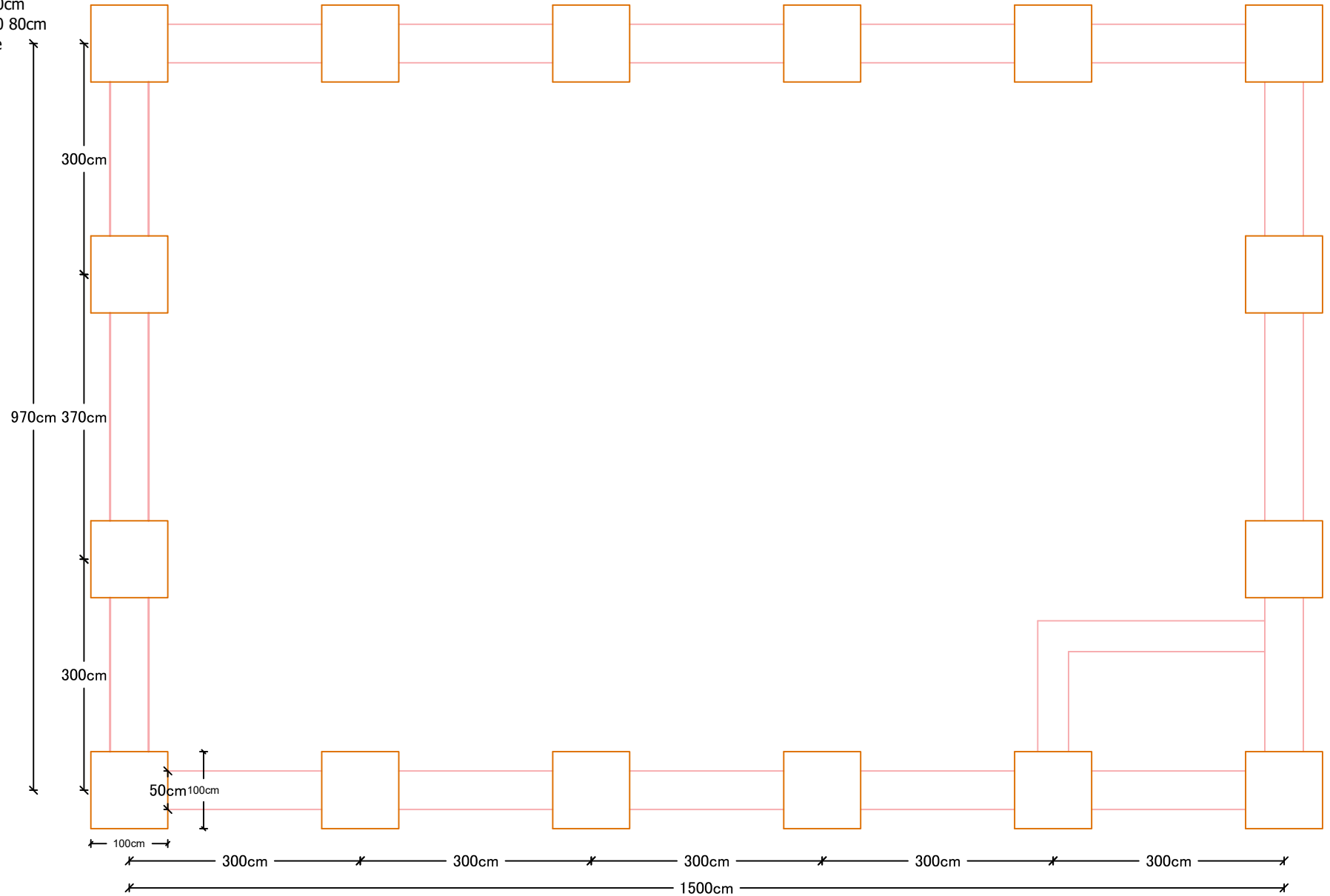
DRAWING AND SPECIFICATION

WAREHOUSE CONSTRUCTION / TORIT FIELD OFFICE

| | | | | | |
|-------|-----------------------------|------------------------------|------------------------------------|-------------------------|----------------------|
| NOTES | DESIGN BY CORDAID | PROJECT NAME SOUTH -SUDAN | DRAWING: WAREHOUSE CONSTRUCTION | SCALE | SHEET NUMBER G100 |
| | | | | 1:100 | |
| | | | | PLOT DATE Feb 7,2022 | |
| | | | COVER | | |

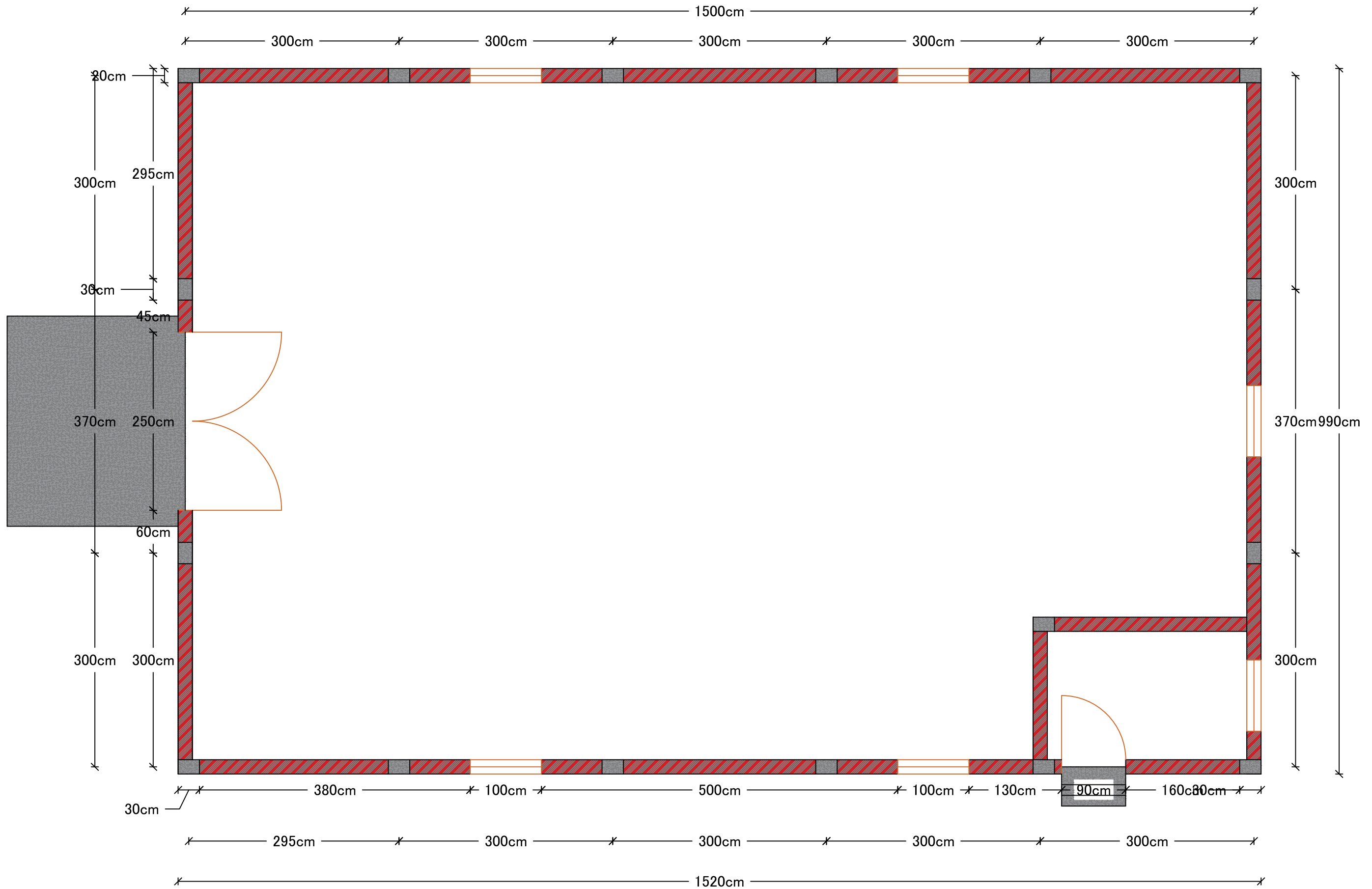
Note!!

- 1- Foundation trench width=50cm
- 2- Foundation Depth =70cm to 80cm and will be decide on the site

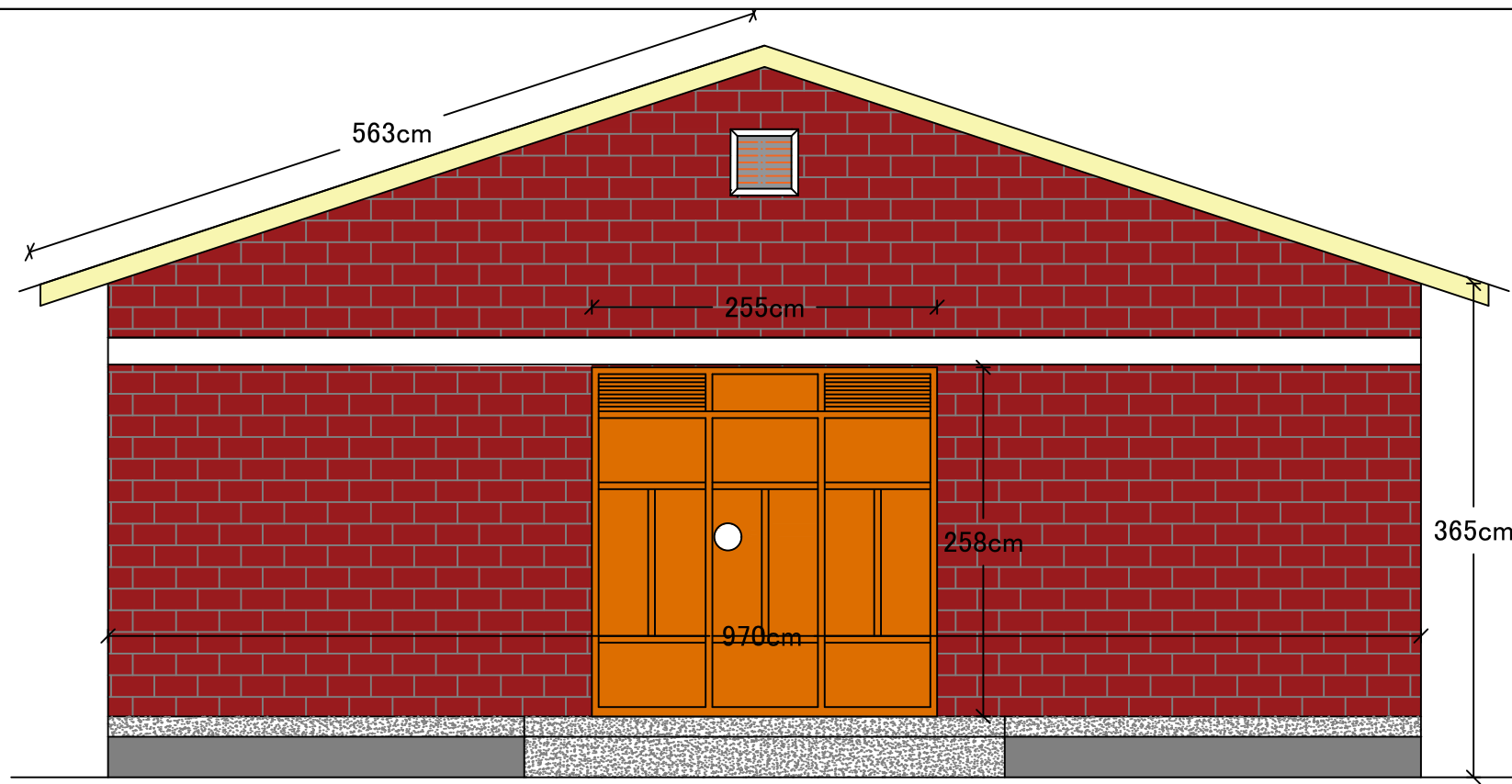


FOUNDATION & PALN LAYOUT

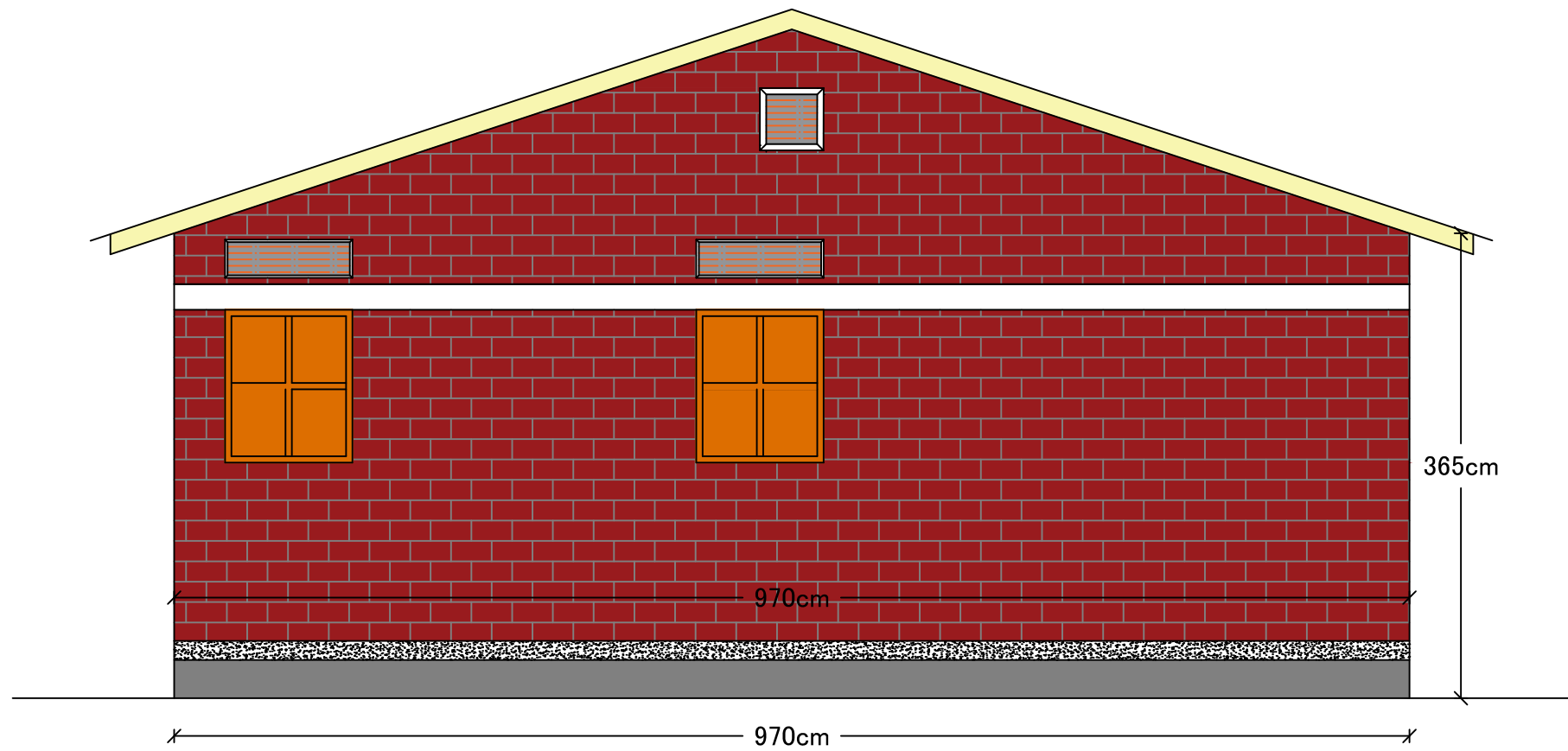
| NOTES | DESIGN BY | PROJECT NAME | DRAWING: | | |
|-------|-------------------------|------------------------|-------------------|------------|--------------|
| | CORDAID SOUTH -SUDAN | WAREHOUSE-CONSTRUCTION | SHEET NAME | SCALE | SHEET NUMBER |
| | | | Foundation Layout | 1:100 | A100 |
| | | | | PLOT DATE | |
| | | | | Feb 7,2022 | |



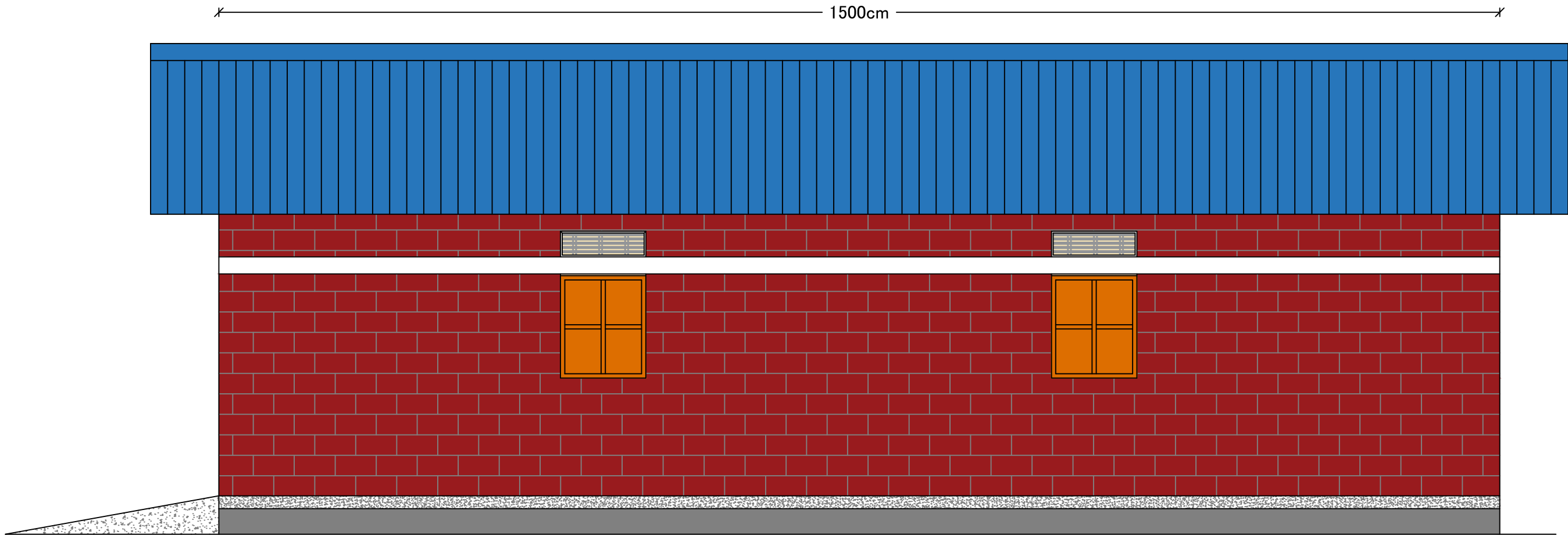
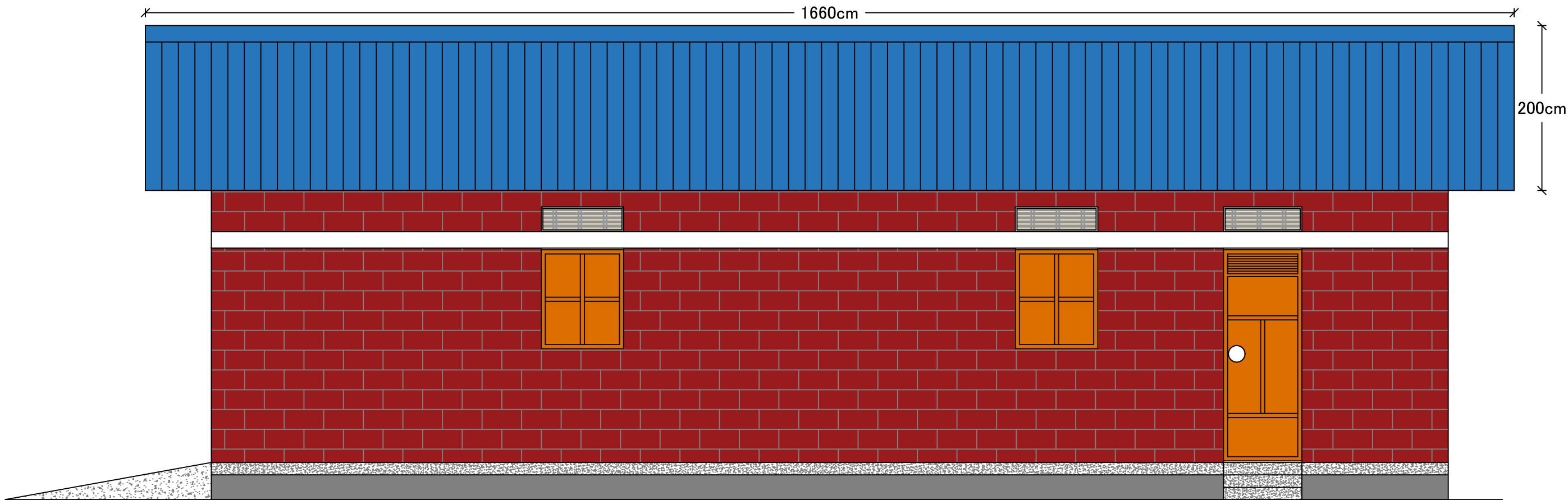
| | | | | | | | |
|------------|-----------|--------------|------------------------|------------|-----------|--------------|------|
| NOTES | DESIGN BY | PROJECT NAME | DRAWING: | | | | |
| | CORDAID | SOUTH -SUDAN | WAREHOUSE CONSTRUCTION | SHEET NAME | SCALE | SHEET NUMBER | |
| | | | | FLOOR PLAN | 1:100 | | A120 |
| | | | | | PLOT DATE | | |
| Feb 7,2022 | | | | | | | |



FRONT ELEVATION



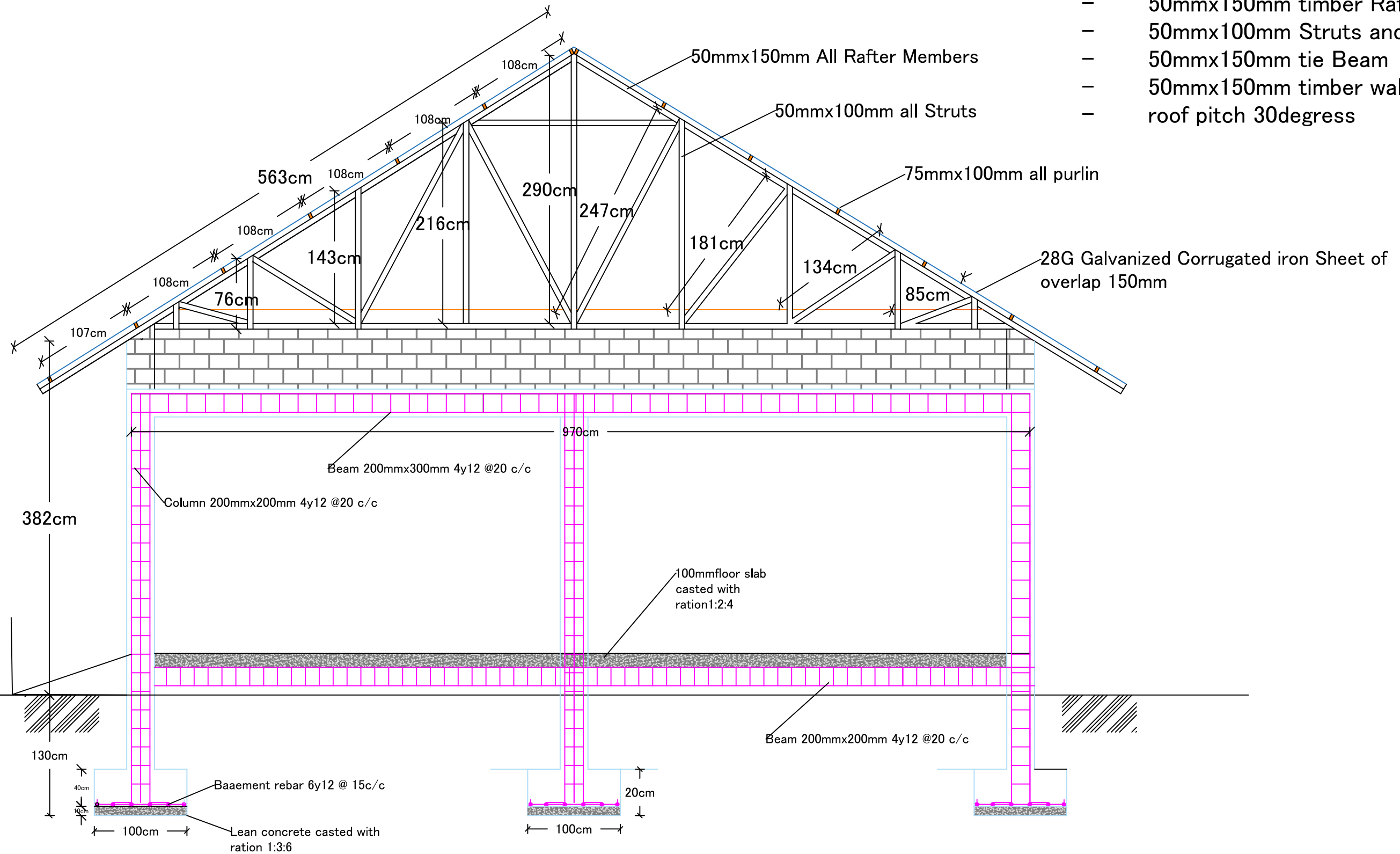
| | | | | | | |
|-------|-----------|--------------|------------------------|--------------|-------|--------------|
| NOTES | DESIGN BY | PROJECT NAME | DRAWING: | | | |
| | CORDAID | SOUTH -SUDAN | WAREHOUSE CONSTRUCTION | SHEET NAME | SCALE | SHEET NUMBER |
| | | | | ELEVATION A- | 1:100 | A130 |
| | | | | PLOT DATE | | |
| | | | | Feb 7,2022 | | |



| | | | | | | |
|-------|-----------|--------------|------------------------|--------------|-------|--------------|
| NOTES | DESIGN BY | PROJECT NAME | DRAWING: | | | |
| | CORDAID | SOUTH -SUDAN | WAREHOUSE CONSTRUCTION | SHEET NAME | SCALE | SHEET NUMBER |
| | | | | ELEVATION B- | 1:100 | |
| | | | | PLOT DATE | | |
| | | | | Feb 7,2022 | | |

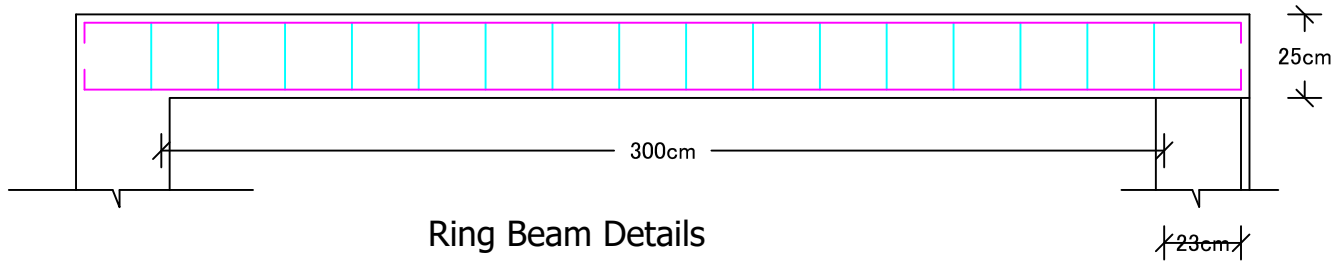
Roof Notes

- G28 Colored CGI roof sheets
- 75mmx100mm timber Purlin on
- 50mmx150mm timber Rafter on
- 50mmx100mm Struts and ties on
- 50mmx150mm tie Beam
- 50mmx150mm timber wall plate
- roof pitch 30degrees

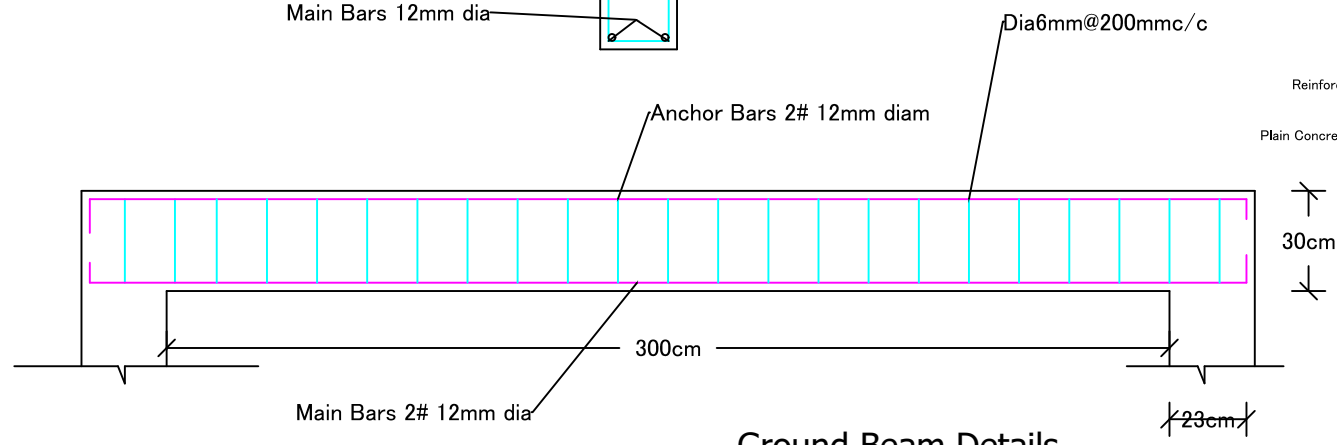
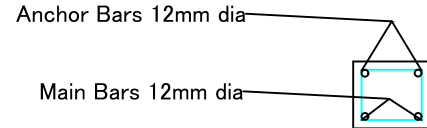


CROSS SECTION

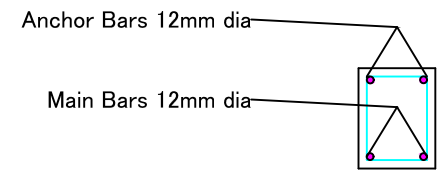
| | | | | | | |
|-------|-----------|--------------|------------------------|------------|-------|--------------|
| NOTES | DESIGN BY | PROJECT NAME | DRAWING: | | | |
| | CORDAID | SOUTH -SUDAN | WAREHOUSE CONSTRUCTION | SHEET NAME | SCALE | SHEET NUMBER |
| | | | | SECTION | 1:100 | |
| | | | | PLOT DATE | | |
| | | | | Feb 7,2022 | | |



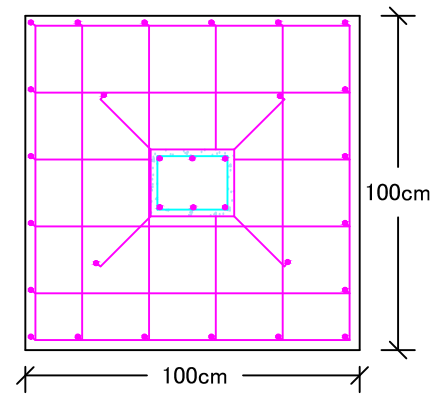
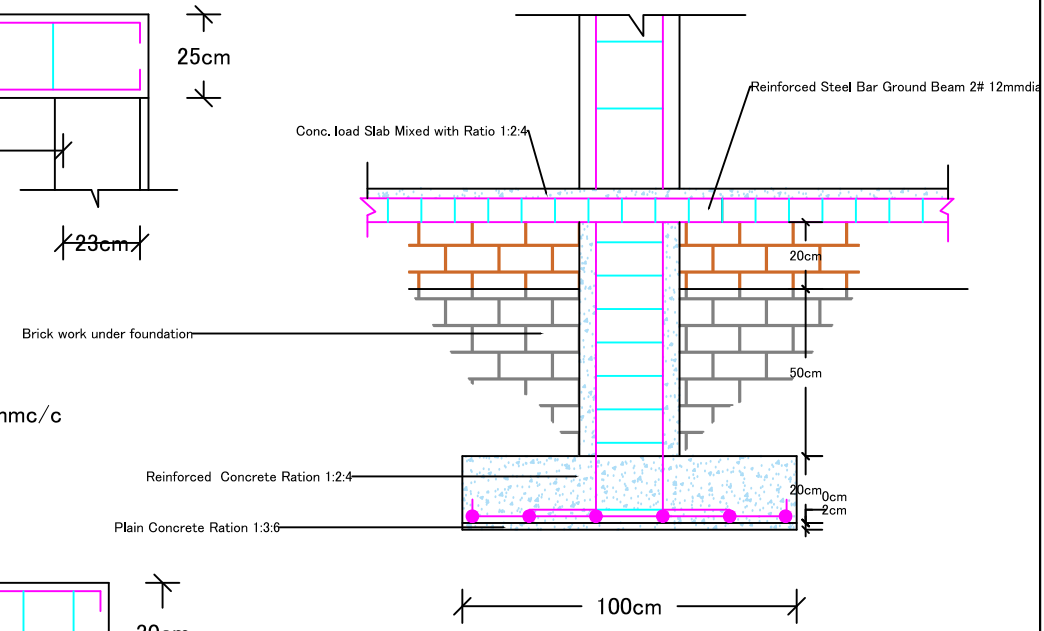
Ring Beam Details



Ground Beam Details



1. Concrete Cover = 25mm
2. Concrete Cover Bottom = 25mm
3. Bend = 9d



| | | | | | |
|-------|-----------|--------------|------------------------|--------------------|--------------|
| NOTES | DESIGN BY | PROJECT NAME | DRAWING: | | |
| | CORDAID | SOUTH -SUDAN | Warehouse Construction | SHEET NAME | SCALE |
| | | | | Structural Details | 1:100 |
| | | | | PLOT DATE | SHEET NUMBER |
| | | | | 01 JULY, 2021 | A160 |

ROOF NOTES

- All 50mmx150mm rafter, 100mmx50mm struts and 75mmx50mm purlin to be treated with sulgum anti-terminator such as Terminator or equivalent
- Purlin to be spliced with simple buttsplice and short bracing strap top and bottom.
- Wood to be free of major knots, check, splits or other defect.
- Rafter to be tied to bond beam with 4mm(8GA) galvanized wire.
- Roof to be galvanized iron sheet 28 GA, 914mmx3000mm
- All Gutters bracket should be set @1 M c/c

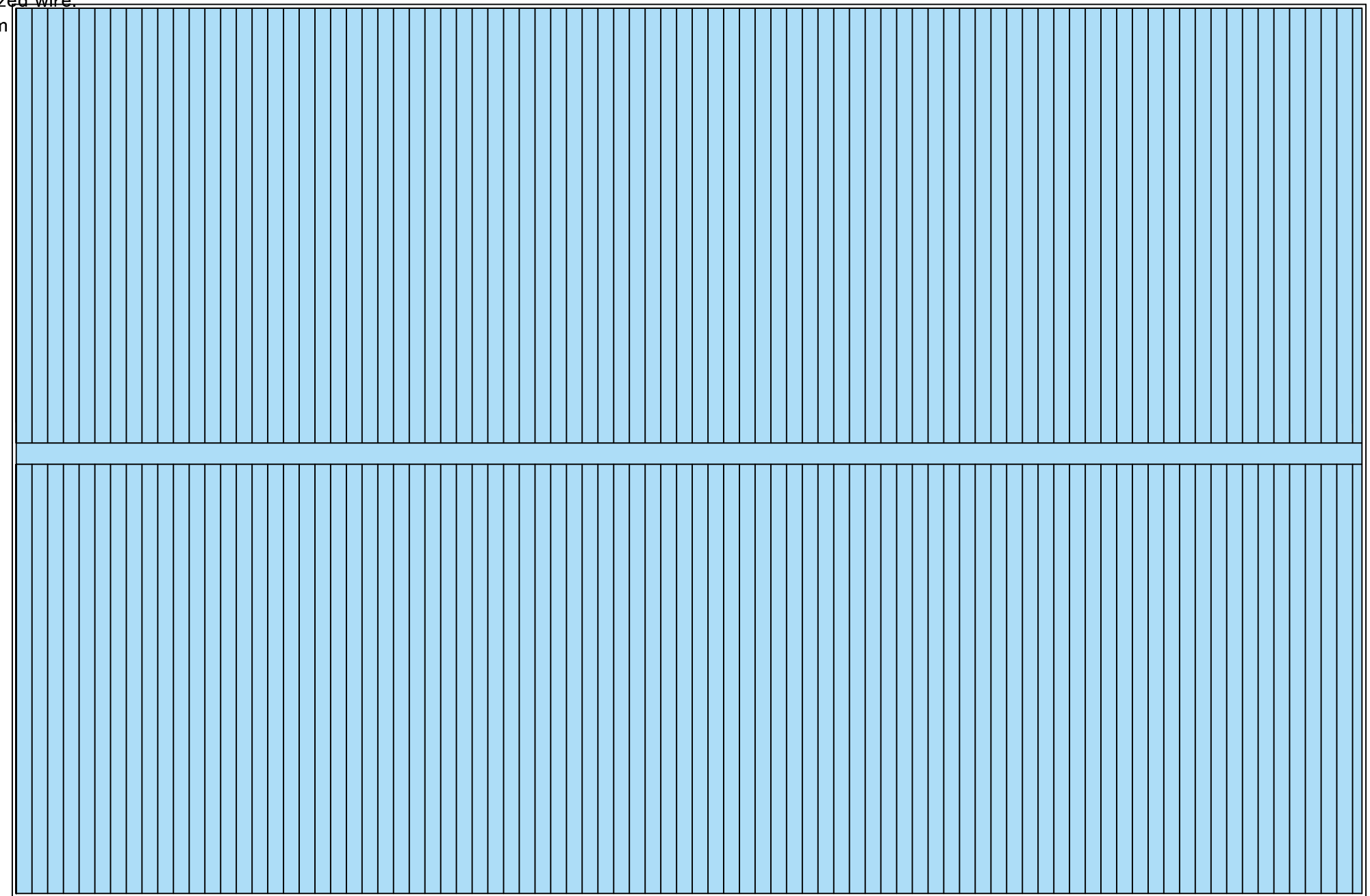


ROOF FRAME PLAN

| | | | | |
|-------|----------------|------------------------|--------------------|--------------|
| NOTES | DESIGN BY | PROJECT NAME | DRAWING: | |
| | CORDAID | SOUTH -SUDAN | SHEET NAME | SCALE |
| | | WAREHOUSE CONSTRUCTION | ROOF FRAME DETAILS | 1:100 |
| | | | | PLOT DATE |
| | | | | SHEET NUMBER |
| | | | | A170 |

ROOF NOTES

- All 50mmx150mm rafter, 100mmx50mm struts and 75mmx50mmpurlin to be treated with sulgum anti-terator such as Terminator or equivalent
- Purlin to be spliced with simple buttsplice and short bracing strap top and bottom.
- Wood to be free of major knots, check, splits or other defect.
- Rafter to be tied to bond beam with 4mm(8GA) Galvanized wire.
- Roof to be galvanized iron sheet 28 GA, 914mmx3000mm
- All Gutters bracket should be set @1 M c/c

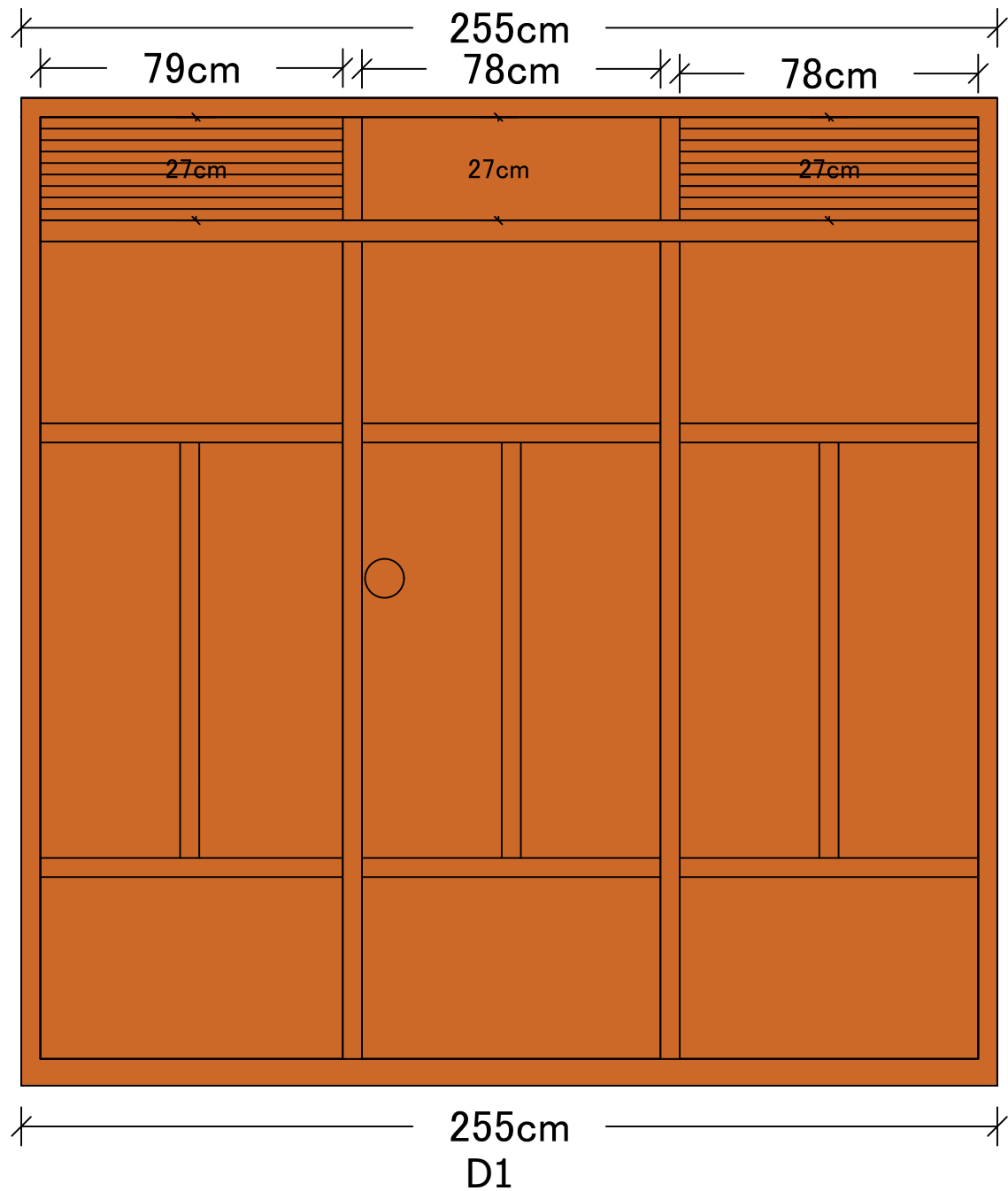


1712cm

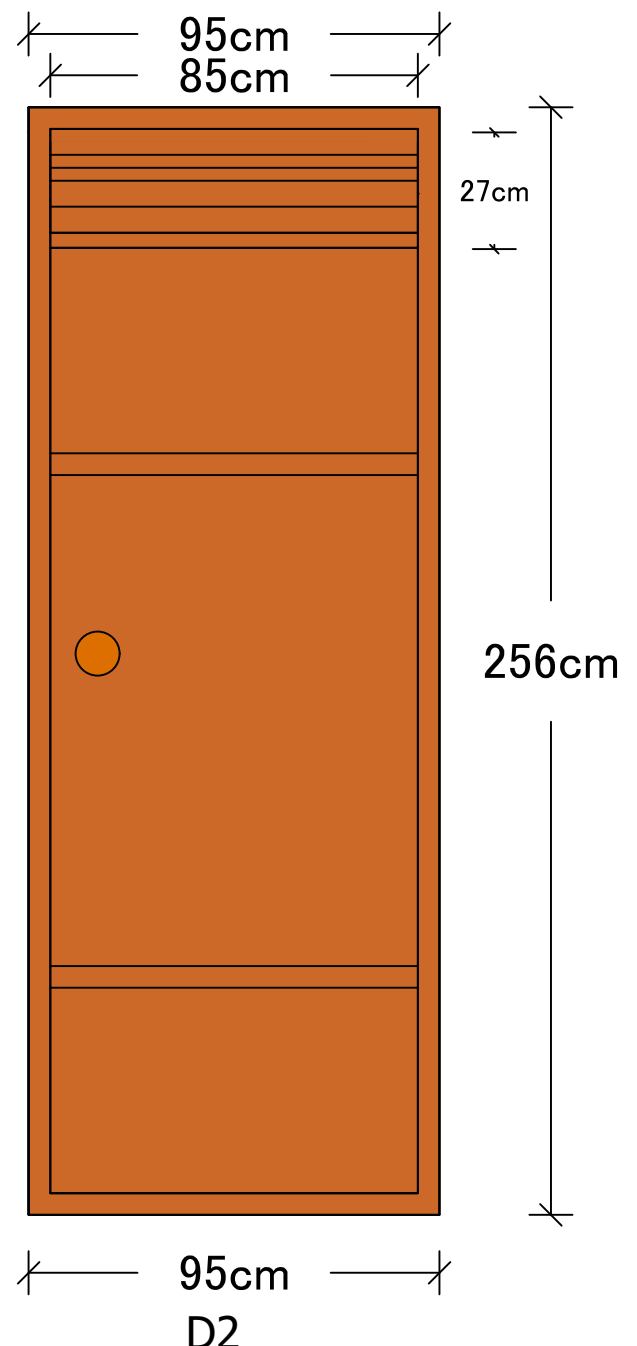
1136cm

ROOF PLAN

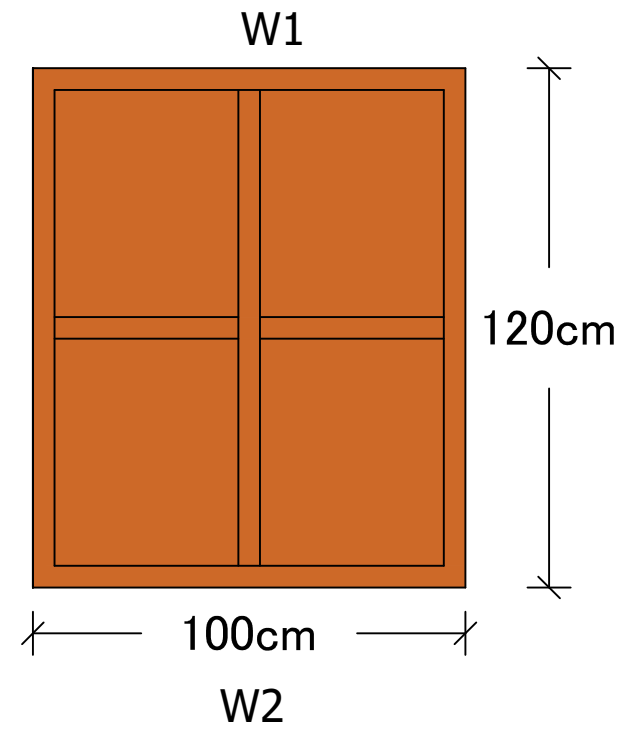
| | | | | | | | |
|-------|----------------|--------------|------------------------|-------------|-----------|--------------|-------------|
| NOTES | DESIGN BY | PROJECT NAME | DRAWING: | | | | |
| | CORDAID | SOUTH -SUDAN | WAREHOUSE CONSTRUCTION | SHEET NAME | SCALE | SHEET NUMBER | |
| | | | | ROOF PLAN | 1:100 | | A160 |
| | | | | | PLOT DATE | | |
| | | | | 02 SEP,2021 | | | |



258cm



256cm



120cm

DOORS

- D1, 255cm x258cm tripartite shutter metallic door with louver
- Metallic door with 100mmx50mm metal frame
- 50mmx25mm Architrave
- 3 level locks
- D2, 95cmx258 single door with 270mm louver, metallic door with 100mmx50mm metallic frame, and painted with approve primer finish color.

Windows.

- W1, 150cmx120cm double shutter with metallic frame,
- 100mm Galvanized metallic hinges to connect shutter to frame and provision for locking open and close.
- 100mm metallic plate vent above.
- Painted with approve primer+ finish color.

| WINDOWS AND DOOR SCHEDULES | | | |
|----------------------------|----------|----------|---|
| DOORS | | | |
| # | WIDTH CM | HIGHT CM | DESCRIPTION |
| D1 =1 | 255 CM | 258CM | Tripple Shutter Metallic Door |
| D2 =1 | 95CM | 258CM | Single Shutter Metallic Door |
| WINDOWS | | | |
| | WIDTH CM | HIGHT CM | DESCRIPTION |
| W1 =6 | 100CM | 120CM | Single Metallic Window with Mosquito mesh shutter |

| | | | | | | |
|-------|-----------|--------------|------------------------|-------------------------|-------|--------------|
| NOTES | DESIGN BY | PROJECT NAME | DRAWING: | | | |
| | CORDAID | SOUTH -SUDAN | WAREHOUSE CONSTRUCTION | SHEET NAME | SCALE | SHEET NUMBER |
| | | | | DOORS & WINDOWS DETAILS | 1:100 | A190 |
| | | | PLOT DATE | | | |