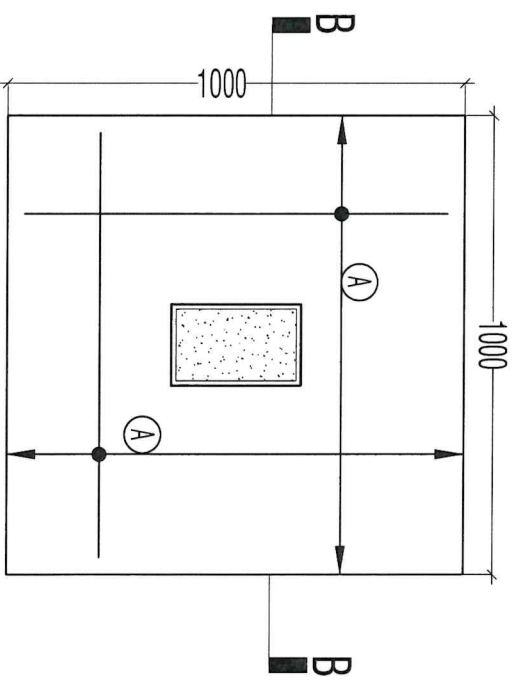
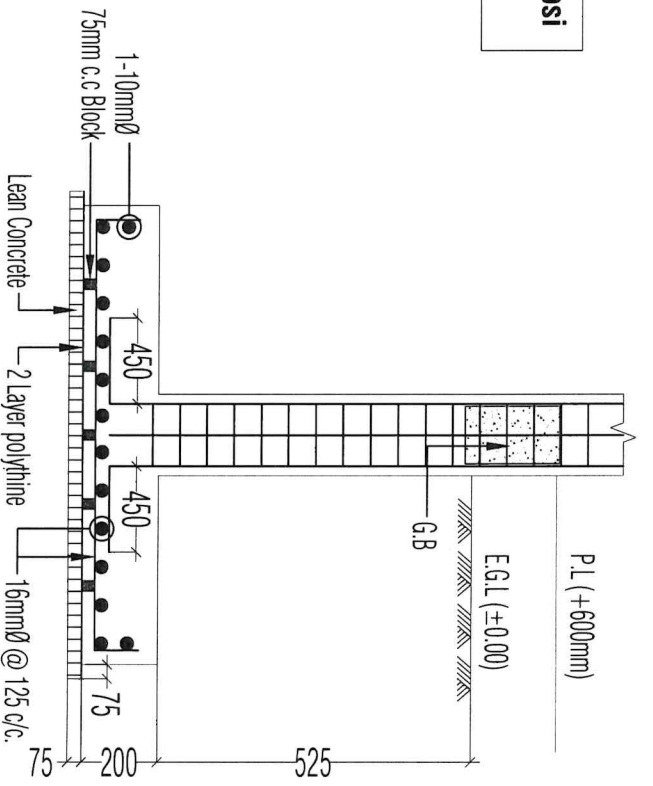


Compressive strength of concrete  $f'_c = 4000 \text{ psi}$   
Yield strength of Rebar,  $f_y = 60.0 \text{ Ksi}$

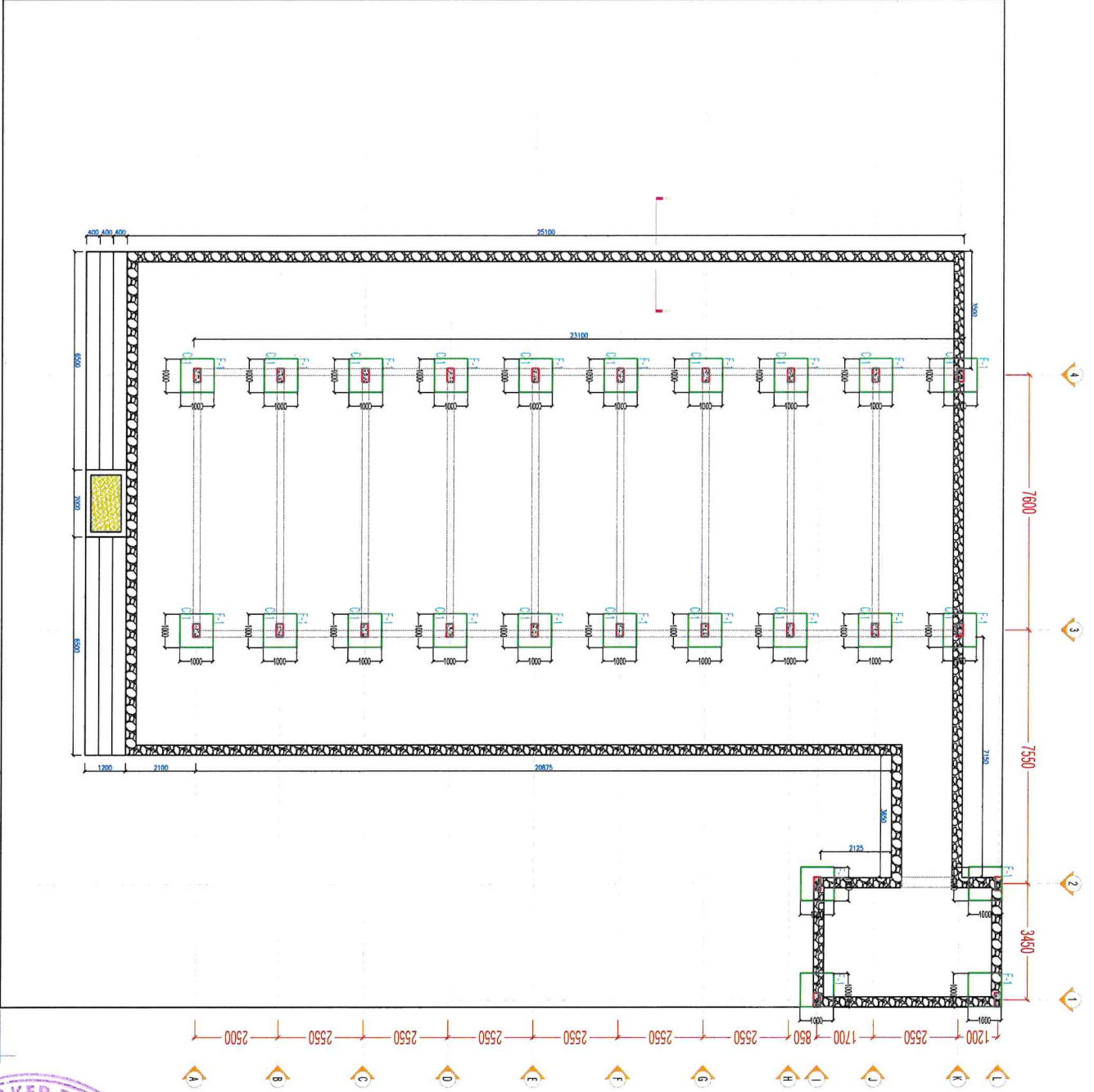
Bottom Reinf.  
(A)  $12 \text{ mm} \varnothing @ 150 \text{ c/c}$



PLAN OF FOOTING (F-1)

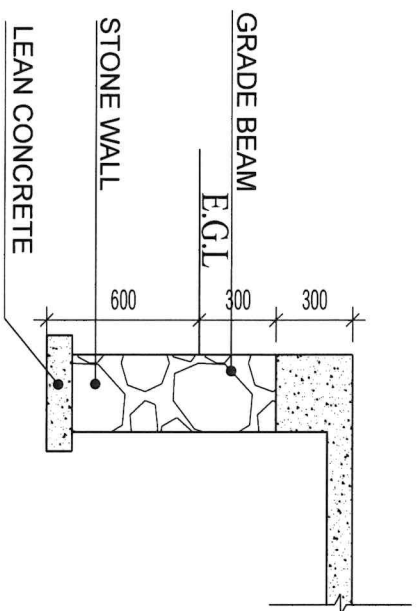


**COLUMN AND FOOTING AND GRADE  
BEAM LAYOUT**

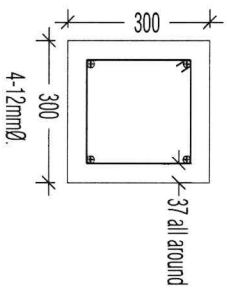


### FOOTING SCHEDULE

| TYPE OF FOOTING | FOOTING SIZE | THICKNESS (T) | REINFORCEMENT             |
|-----------------|--------------|---------------|---------------------------|
| F-1             | 1000 X 1000  | T=200mm       | 10mm Ø @ 150 C/C Both way |

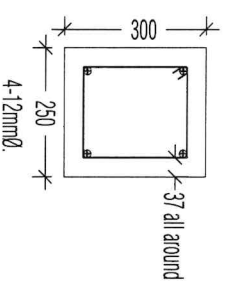


### SECTION A A OF GROUND FLOOR SIDE WALL



### GRADE BEAM ABOVE STONE WALL

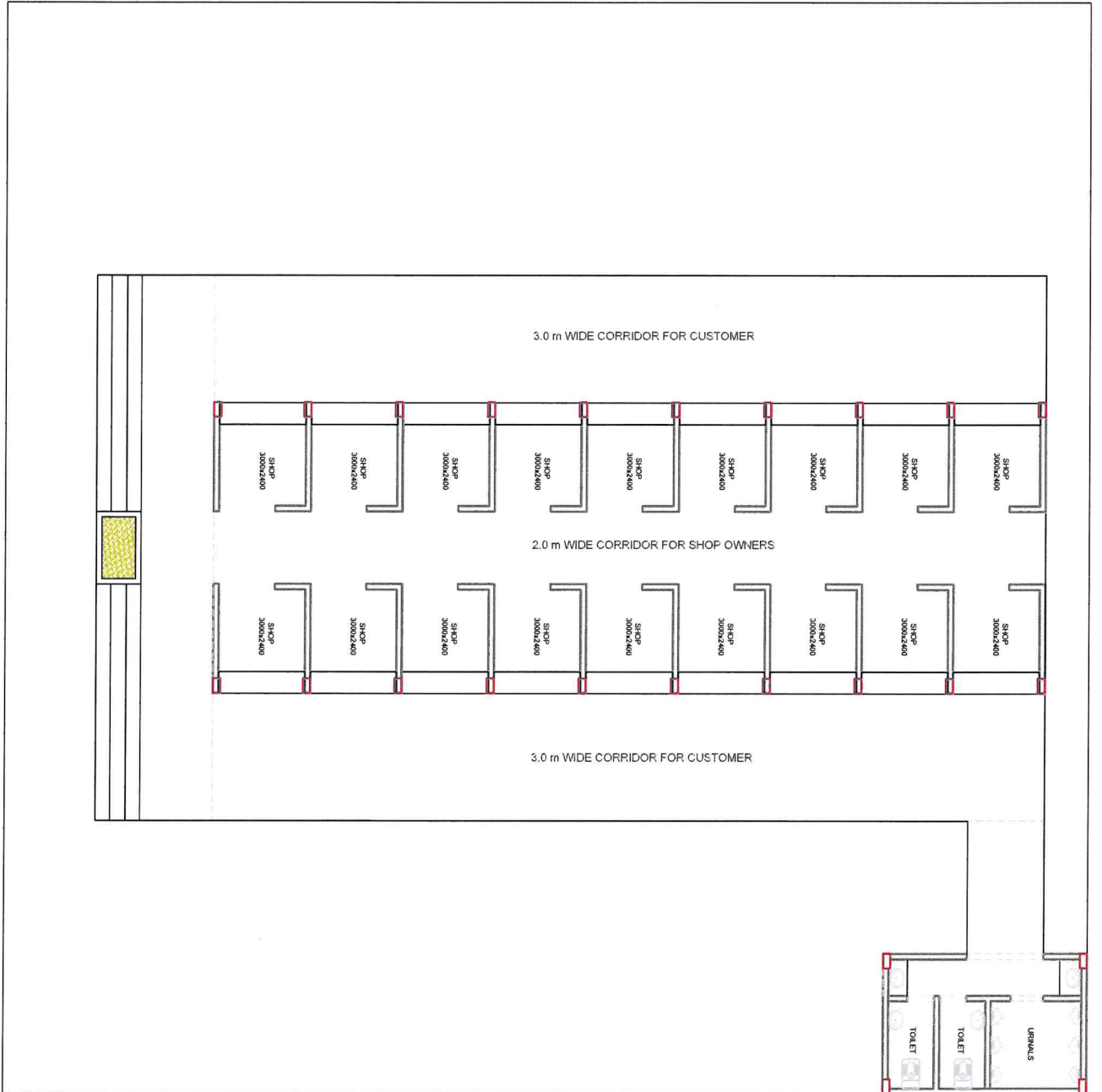
| COLUMN SCHEDULE                   |                |  |
|-----------------------------------|----------------|--|
| Concrete Strength, f <sub>c</sub> | Name of Column |  |
| C25                               | BELOW PL       |  |
| C25                               | ABOVE PL       |  |

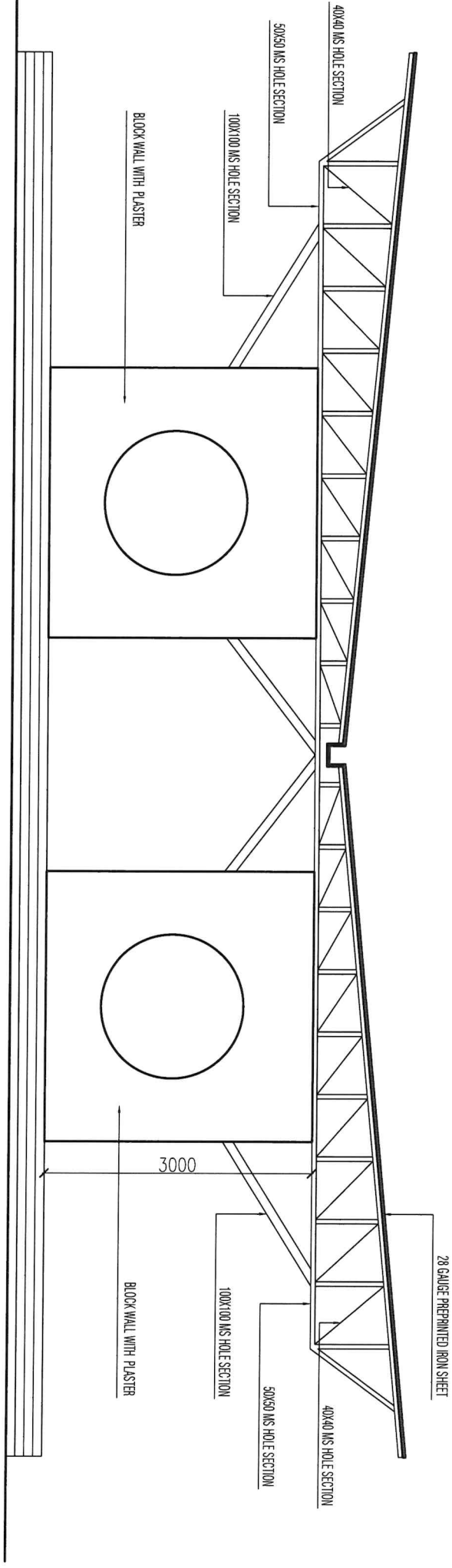


### GRADE BEAM



**VEGETABLE MARKET PRESENTATION PLAN**





**STRUCTURAL SECTION**

