

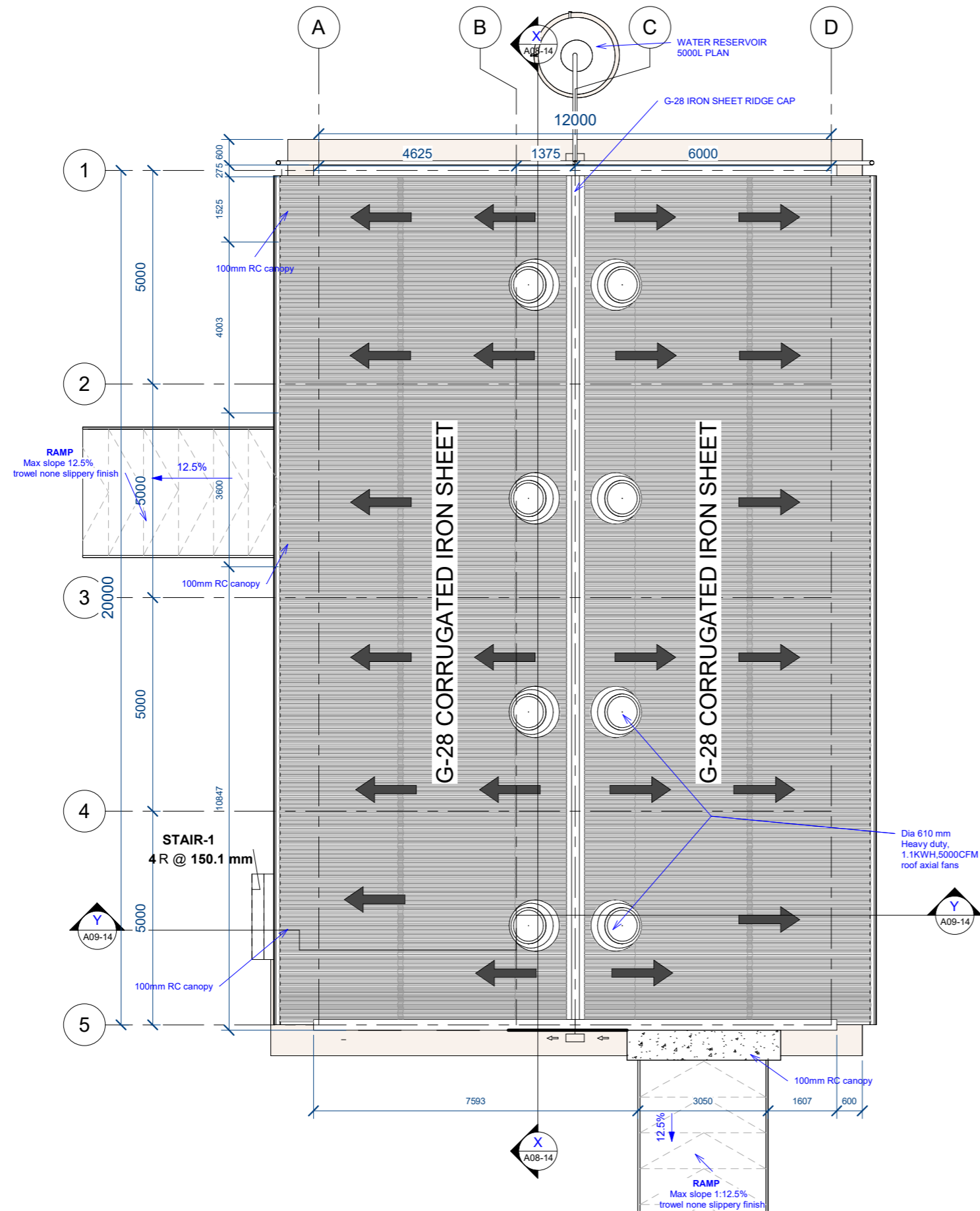
**1** SITE PLAN  
1 : 400

**GENERAL NOTES**

1. ALL DIMENSIONS ARE IN MILLIMETERS UNLESS OTHERWISE STATED.
2. ALL DIMENSIONS TO BE CHECKED AND CONFIRMED ON SITE BEFORE COMMENCEMENT OF ANY WORK.
3. WRITTEN DIMENSIONS OVERRIDES SCALED DIMENSIONS, THUS ALL DIMENSIONS ARE TO BE READ AND NOT AT ANY TIME SCALED FROM THE DRAWING.
4. ANY DISCREPANCY TO BE REPORTED TO THE ACTED SITE ENGINEER/ PROJECT MANAGER PROMPTLY BEFORE PROCEEDING.

No.	Description	Date

Design Status	<b>WORKING DRAWING</b>	
Client	<b>ACTED SOUTH SUDAN</b>	
Consultant	<b>LADDER ENGINEERING &amp; GENERAL TRADING CO. LTD</b>	
Project Name	<b>HONEY PROCESSING UNIT</b>	
Location	<b>IBBA, IBBA COUNTY, WESTERN EQUATERIA STATE, SOUTH SUDAN</b>	
Drawing Title	<b>SITE PLAN</b>	
Design & Drawing By	<b>LADDER ENGINEERING</b>	Date <b>11/12/22</b>
Checked and Approved By.		Date
Scale	<b>AS SHOWN</b>	
Layout ID.	<b>A01-14</b>	Revision

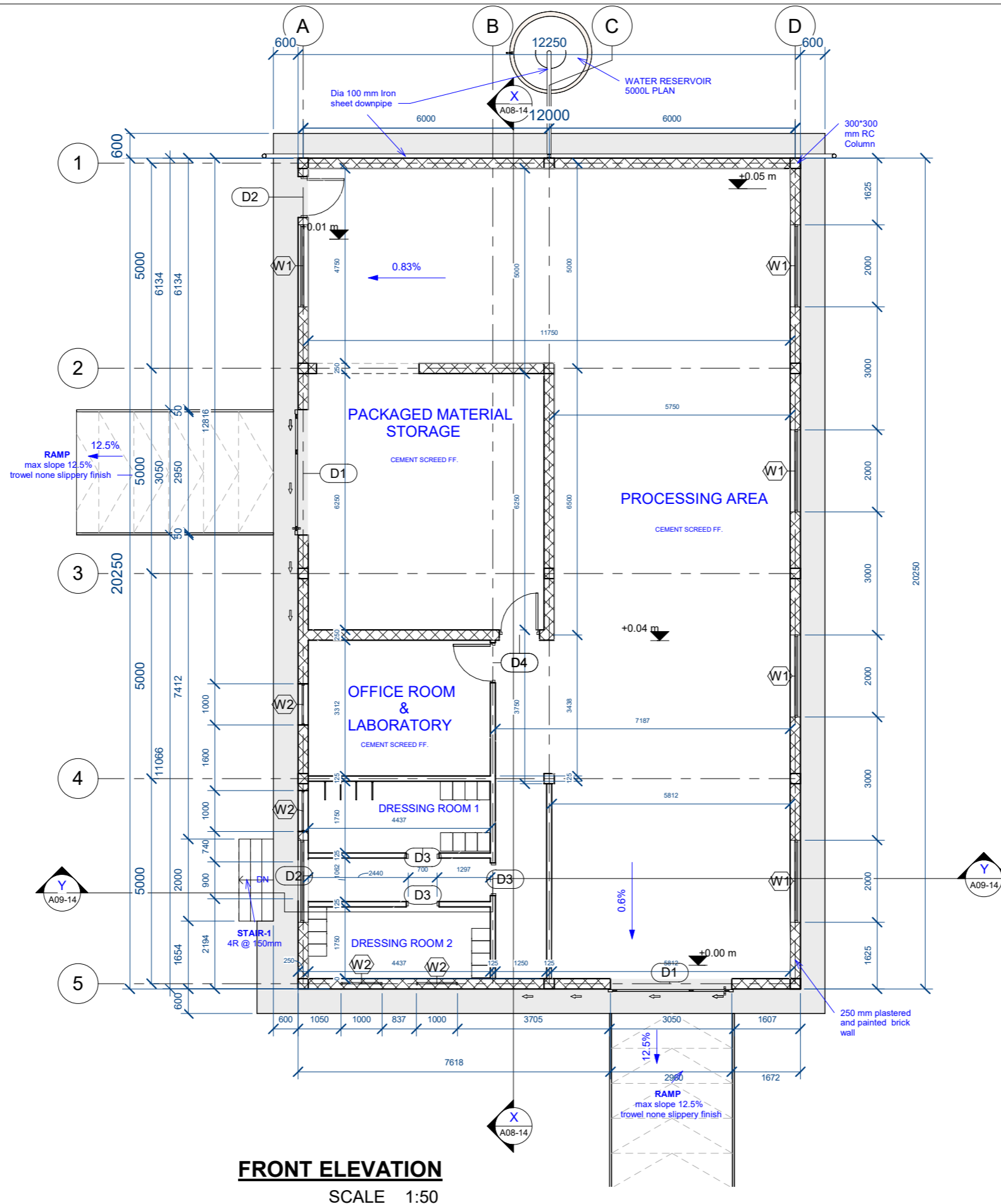


**GENERAL NOTES**

- 1, ALL DIMENSIONS ARE IN MILLIMETERS UNLESS OTHERWISE STATED.
- 2, ALL DIMENSIONS TO BE CHECKED AND CONFIRMED ON SITE BEFORE COMMENCEMENT OF ANY WORK.
- 3, WRITTEN DIMENSIONS OVERRIDES SCALED DIMENSIONS, THUS ALL DIMENSIONS ARE TO BE READ AND NOT AT ANY TIME SCALED FROM THE DRAWING.
- 4, ANY DISCREPANCY TO BE REPORTED TO THE ACTED SITE ENGINEER/ PROJECT MANAGER PROMTLY BEFORE PROCEEDING.

No.	Description	Date

Design Status	<b>WORKING DRAWING</b>	
Client	<b>ACTED SOUTH SUDAN</b>	
Consultant	<b>LADDER ENGINEERING &amp; GENERAL TRADING CO. LTD</b>	
Project Name	<b>HONEY PROCESSING UNIT</b>	
Location	<b>IBBA, IBBA COUNTY, WESTERN EQUATERIA STATE, SOUTH SUDAN</b>	
Drawing Title	<b>ROOF PLAN</b>	
Design & Drawing By	<b>LADDER ENGINEERING</b>	Date <b>09/29/22</b>
Checked and Approved By.		Date
Scale	<b>AS SHOWN</b>	
Layout ID.	<b>A02-14</b>	Revision



**GENERAL NOTES**

1. ALL DIMENSIONS ARE IN MILLIMETERS UNLESS OTHERWISE STATED.
2. ALL DIMENSIONS TO BE CHECKED AND CONFIRMED ON SITE BEFORE COMMENCEMENT OF ANY WORK.
3. WRITTEN DIMENSIONS OVERRIDES SCALED DIMENSIONS, THUS ALL DIMENSIONS ARE TO BE READ AND NOT AT ANY TIME SCALED FROM THE DRAWING.
4. ANY DISCREPANCY TO BE REPORTED TO THE ACTED SITE ENGINEER/ PROJECT MANAGER PROMPTLY BEFORE PROCEEDING.

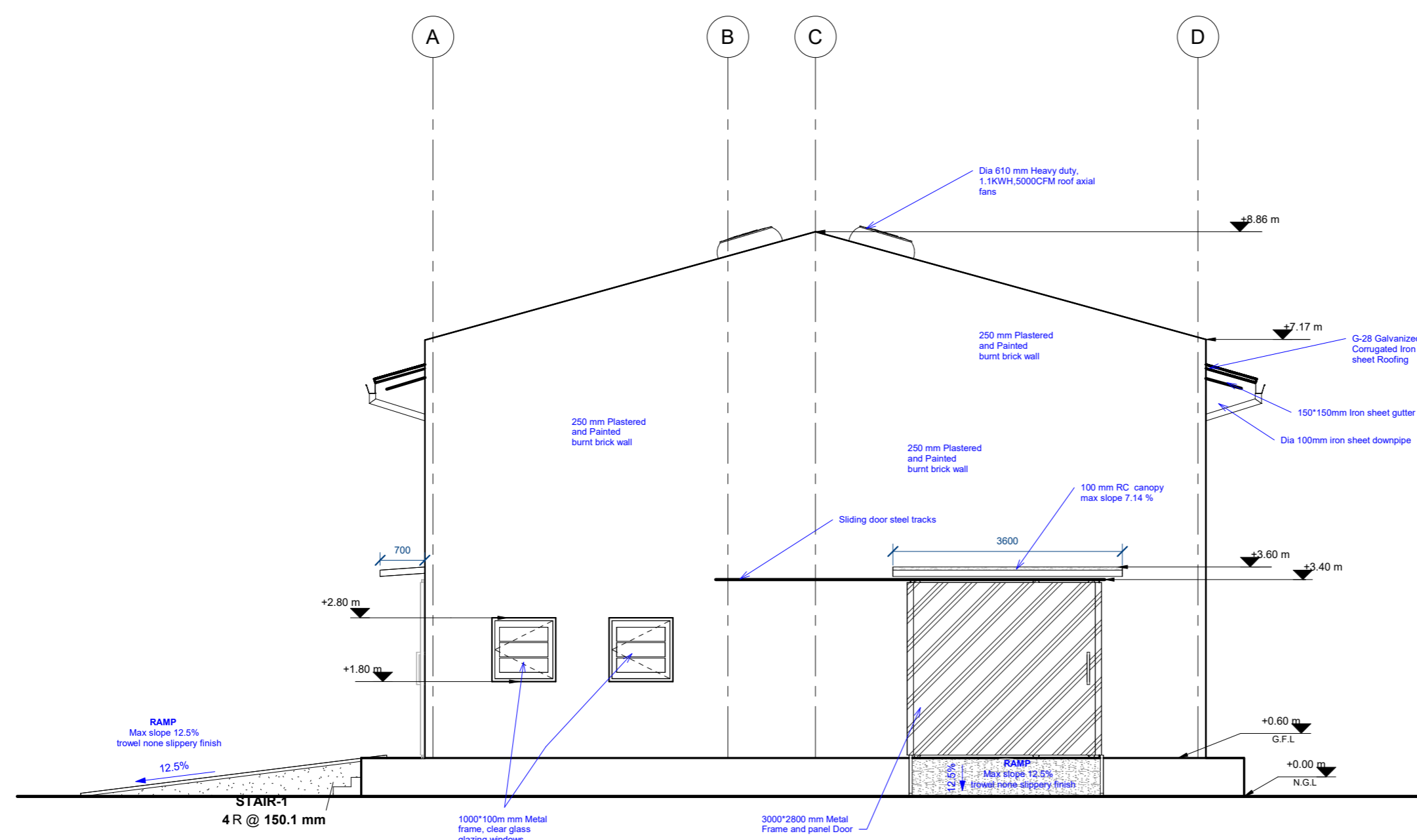
No.	Description	Date

Design Status	<b>WORKING DRAWING</b>	
Client	<b>ACTED SOUTH SUDAN</b>	
Consultant	<b>LADDER ENGINEERING &amp; GENERAL TRADING CO. LTD</b>	
Project Name	<b>HONEY PROCESSING UNIT</b>	
Location	<b>IBBA, IBBA COUNTY, WESTERN EQUATERIA STATE, SOUTH SUDAN</b>	
Drawing Title	<b>GROUND FLOOR PLAN</b>	
Design & Drawing By	LADDER ENGINEERING	Date <b>09/29/22</b>
Checked and Approved By.		Date
Scale	<b>AS SHOWN</b>	
Layout ID.	<b>A03-14</b>	Revision

- GENERAL NOTES**
- 1, ALL DIMENSIONS ARE IN MILLIMETERS UNLESS OTHERWISE STATED.
  - 2, ALL DIMENSIONS TO BE CHECKED AND CONFIRMED ON SITE BEFORE COMMENCEMENT OF ANY WORK.
  - 3, WRITTEN DIMENSIONS OVERRIDES SCALED DIMENSIONS, THUS ALL DIMENSIONS ARE TO BE READ AND NOT AT ANY TIME SCALED FROM THE DRAWING.
  - 4, ANY DISCREPANCY TO BE REPORTED TO THE ACTED SITE ENGINEER/ PROJECT MANAGER PROMPTLY BEFORE PROCEEDING.

No.	Description	Date

Design Status	<b>WORKING DRAWING</b>
Client	<b>ACTED SOUTH SUDAN</b>
Consultant	<b>LADDER ENGINEERING &amp; GENERAL TRADING CO. LTD</b>
Project Name	<b>HONEY PROCESSING UNIT</b>
Location	<b>IBBA, IBBA COUNTY, WESTERN EQUATERIA STATE, SOUTH SUDAN</b>
Drawing Title	<b>FRONT ELEVATION</b>
Design & Drawing By	<b>LADDER ENGINEERING</b>
Date	<b>09/29/22</b>
Checked and Approved By.	
Date	
Scale	<b>AS SHOWN</b>
Layout ID.	<b>A04-14</b>
Revision	

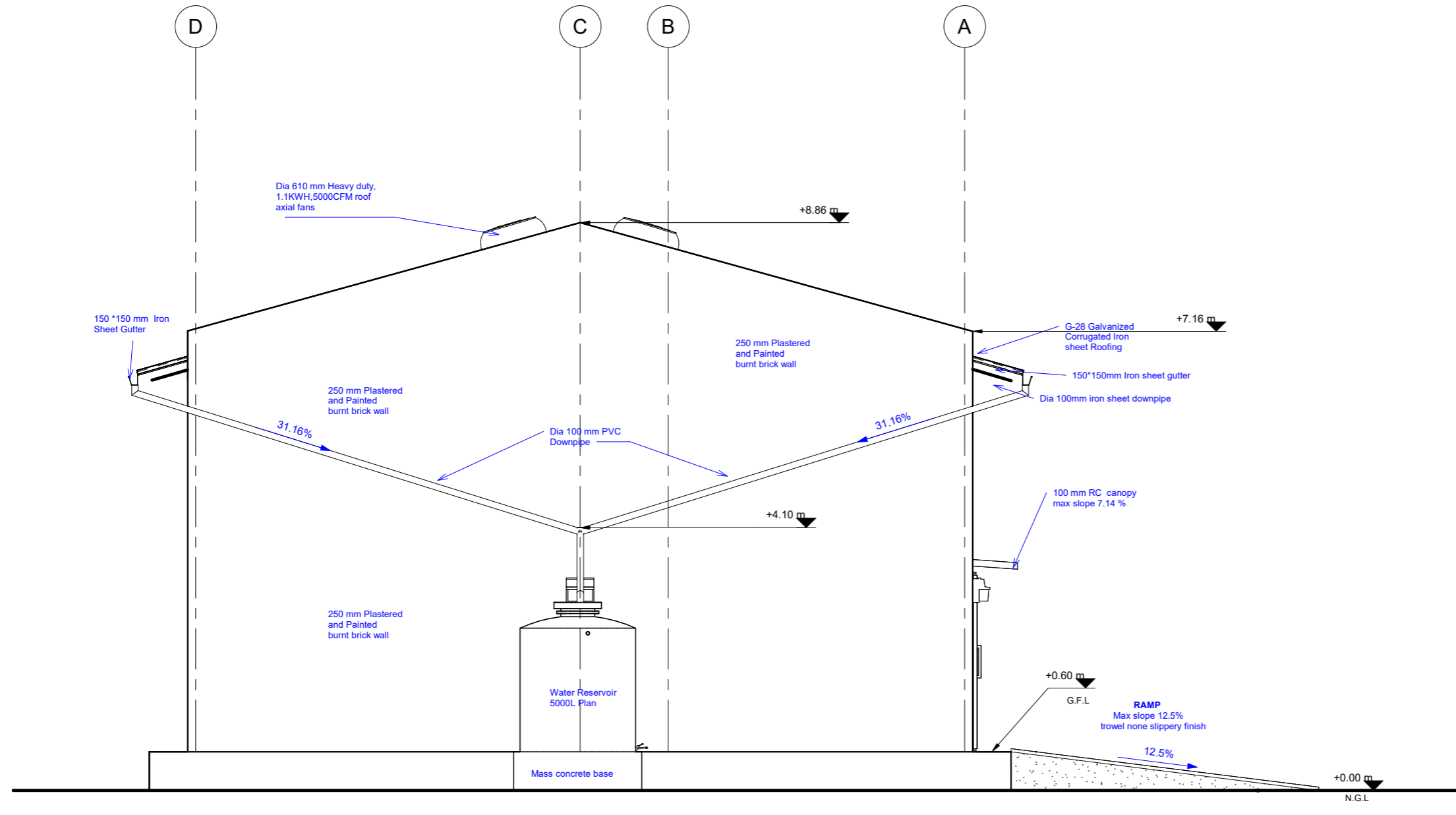


**FRONT ELEVATION**  
SCALE 1:50

- GENERAL NOTES**
- 1, ALL DIMENSIONS ARE IN MILLIMETERS UNLESS OTHERWISE STATED.
  - 2, ALL DIMENSIONS TO BE CHECKED AND CONFIRMED ON SITE BEFORE COMMENCEMENT OF ANY WORK.
  - 3, WRITTEN DIMENSIONS OVERRIDES SCALED DIMENSIONS, THUS ALL DIMENSIONS ARE TO BE READ AND NOT AT ANY TIME SCALED FROM THE DRAWING.
  - 4, ANY DISCREPANCY TO BE REPORTED TO THE ACTED SITE ENGINEER/ PROJECT MANAGER PROMPTLY BEFORE PROCEEDING.

No.	Description	Date

Design Status	<b>WORKING DRAWING</b>	
Client	<b>ACTED SOUTH SUDAN</b>	
Consultant	<b>LADDER ENGINEERING &amp; GENERAL TRADING CO. LTD</b>	
Project Name	<b>HONEY PROCESSING UNIT</b>	
Location	<b>IBBA, IBBA COUNTY, WESTERN EQUATERIA STATE, SOUTH SUDAN</b>	
Drawing Title	<b>BACK-SIDE ELEVATION</b>	
Design & Drawing By	<b>LADDER ENGINEERING</b>	Date <b>09/29/22</b>
Checked and Approved By.		Date
Scale	<b>AS SHOWN</b>	
Layout ID.	<b>A05-14</b>	Revision



**BACK SIDE ELEVATION**  
SCALE 1:50

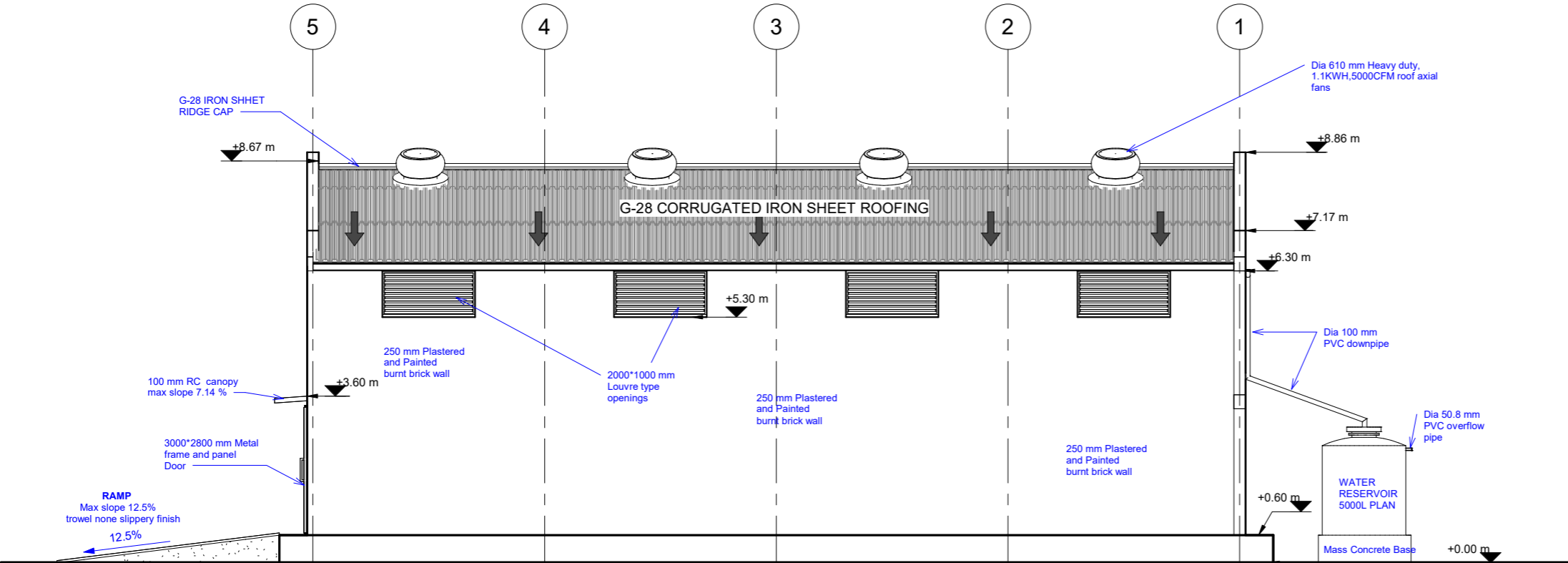


**GENERAL NOTES**

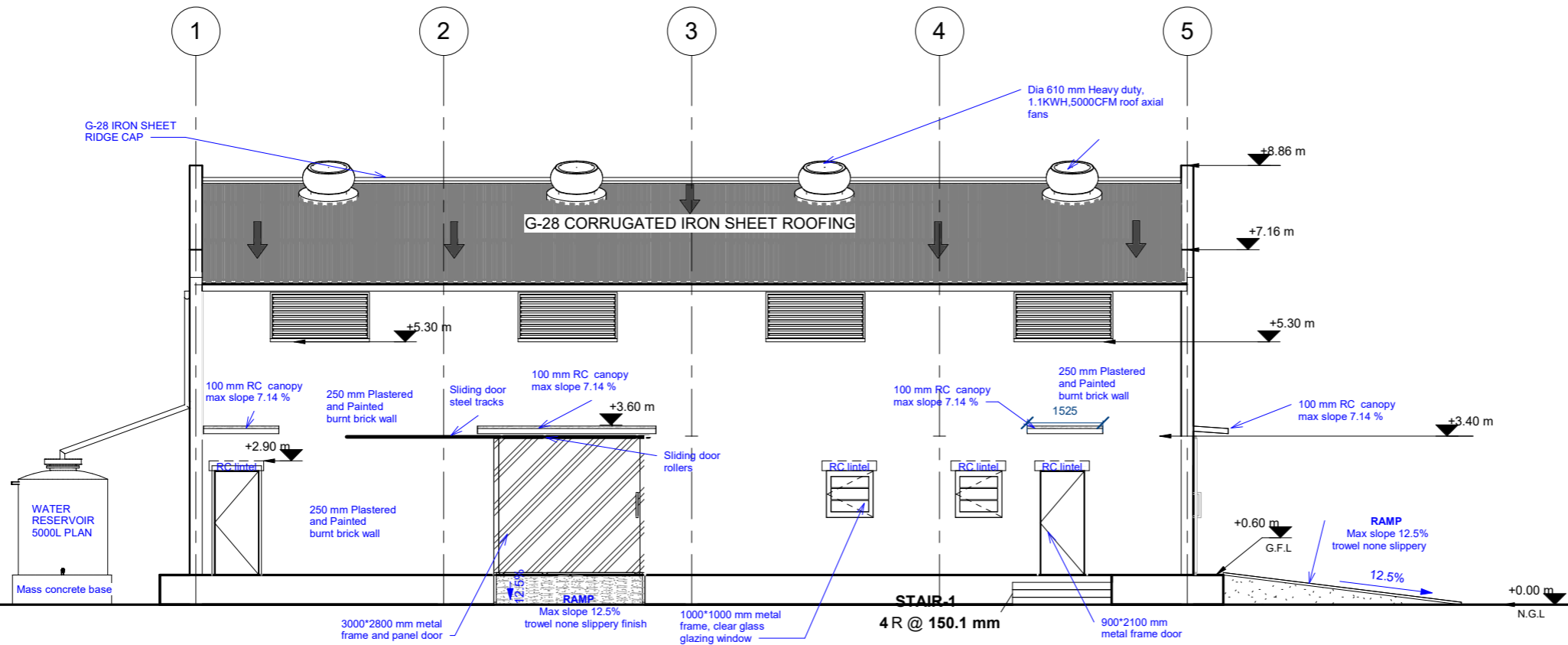
- 1, ALL DIMENSIONS ARE IN MILLIMETERS UNLESS OTHERWISE STATED.
- 2, ALL DIMENSIONS TO BE CHECKED AND CONFIRMED ON SITE BEFORE COMMENCEMENT OF ANY WORK.
- 3, WRITTEN DIMENSIONS OVERRIDES SCALED DIMENSIONS, THUS ALL DIMENSIONS ARE TO BE READ AND NOT AT ANY TIME SCALED FROM THE DRAWING.
- 4, ANY DISCREPANCY TO BE REPORTED TO THE ACTED SITE ENGINEER/ PROJECT MANAGER PROMPTLY BEFORE PROCEEDING.

No.	Description	Date

Design Status	<b>WORKING DRAWING</b>	
Client	<b>ACTED SOUTH SUDAN</b>	
Consultant	<b>LADDER ENGINEERING &amp; GENERAL TRADING CO. LTD</b>	
Project Name	<b>HONEY PROCESSING UNIT</b>	
Location	<b>IBBA, IBBA COUNTY, WESTERN EQUATERIA STATE, SOUTH SUDAN</b>	
Drawing Title	<b>RIGTH-SIDE ELEVATION</b>	
Design & Drawing By	<b>LADDER ENGINEERING</b>	Date <b>09/29/22</b>
Checked and Approved By.		Date
Scale	<b>AS SHOWN</b>	
Layout ID.	<b>A06-14</b>	Revision



**RIGHT SIDE ELEVATION**  
SCALE 1:50



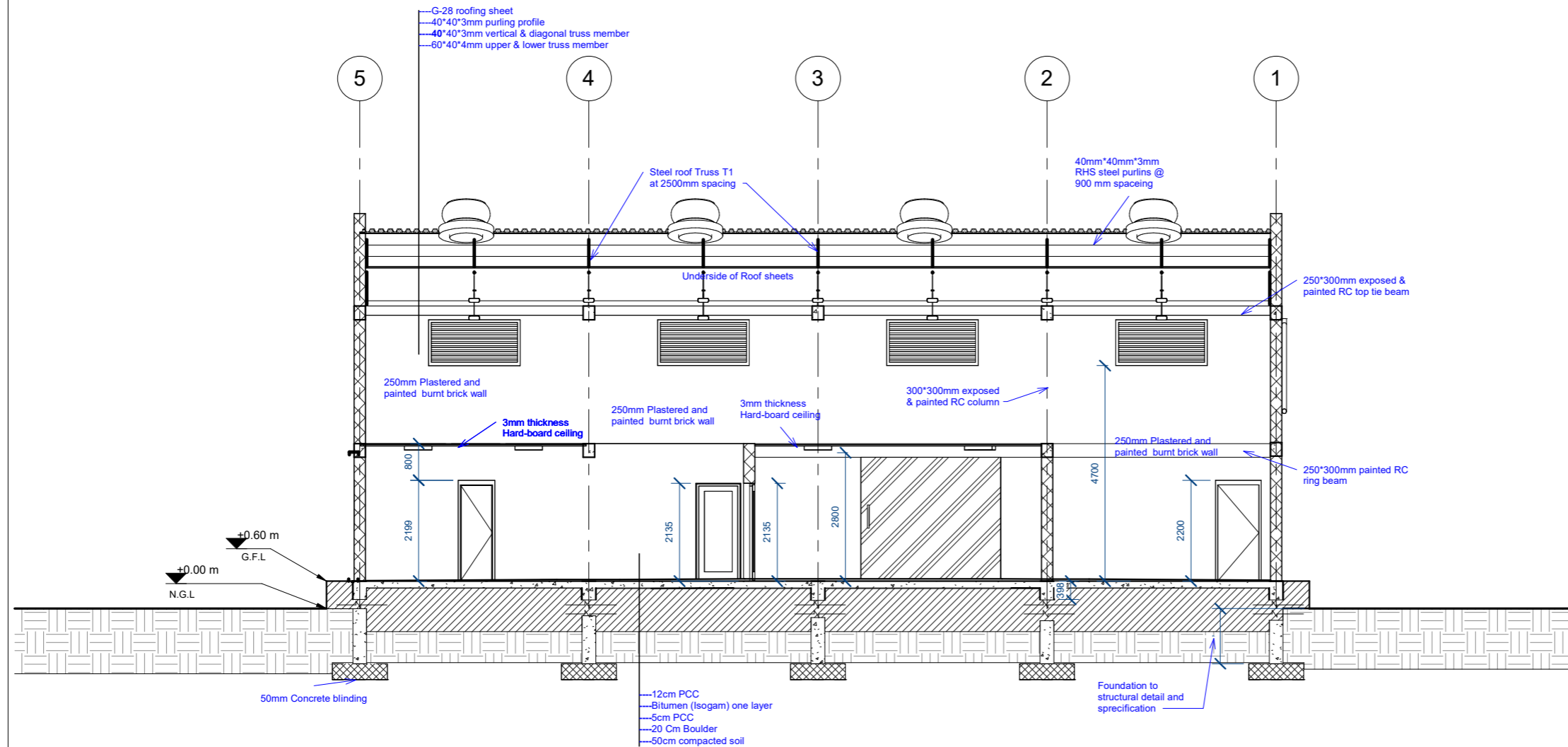
**LEFT SIDE ELEVATION**  
SCALE 1:50

**GENERAL NOTES**

- 1, ALL DIMENSIONS ARE IN MILLIMETERS UNLESS OTHERWISE STATED.
- 2, ALL DIMENSIONS TO BE CHECKED AND CONFIRMED ON SITE BEFORE COMMENCEMENT OF ANY WORK.
- 3, WRITTEN DIMENSIONS OVERRIDES SCALED DIMENSIONS, THUS ALL DIMENSIONS ARE TO BE READ AND NOT AT ANY TIME SCALED FROM THE DRAWING.
- 4, ANY DISCREPANCY TO BE REPORTED TO THE ACTED SITE ENGINEER/ PROJECT MANAGER PROMPTLY BEFORE PROCEEDING.

No.	Description	Date

Design Status	<b>WORKING DRAWING</b>	
Client	<b>ACTED SOUTH SUDAN</b>	
Consultant	<b>LADDER ENGINEERING &amp; GENERAL TRADING CO. LTD</b>	
Project Name	<b>HONEY PROCESSING UNIT</b>	
Location	<b>IBBA, IBBA COUNTY, WESTERN EQUATERIA STATE, SOUTH SUDAN</b>	
Drawing Title	<b>LEFT-SIDE ELEVATION</b>	
Design & Drawing By	Date	
<b>LADDER ENGINEERING</b>	<b>09/29/22</b>	
Checked and Approved By.	Date	
Scale	<b>AS SHOWN</b>	
Layout ID.	Revision	
<b>A07-14</b>		



**SECTION VIEW X-X**  
SCALE 1:50

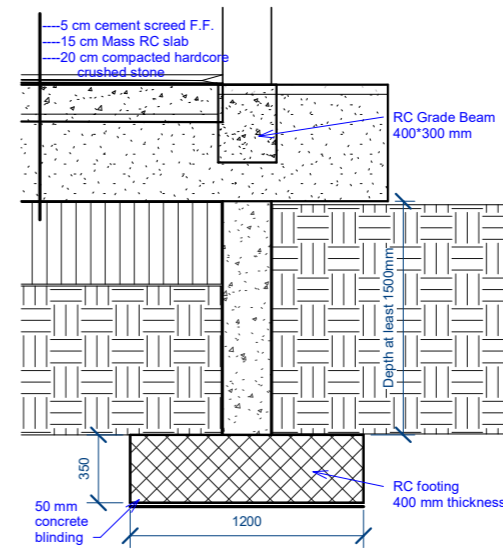
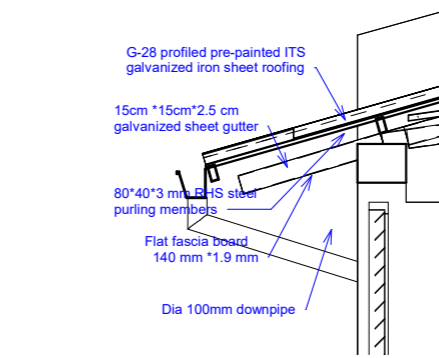
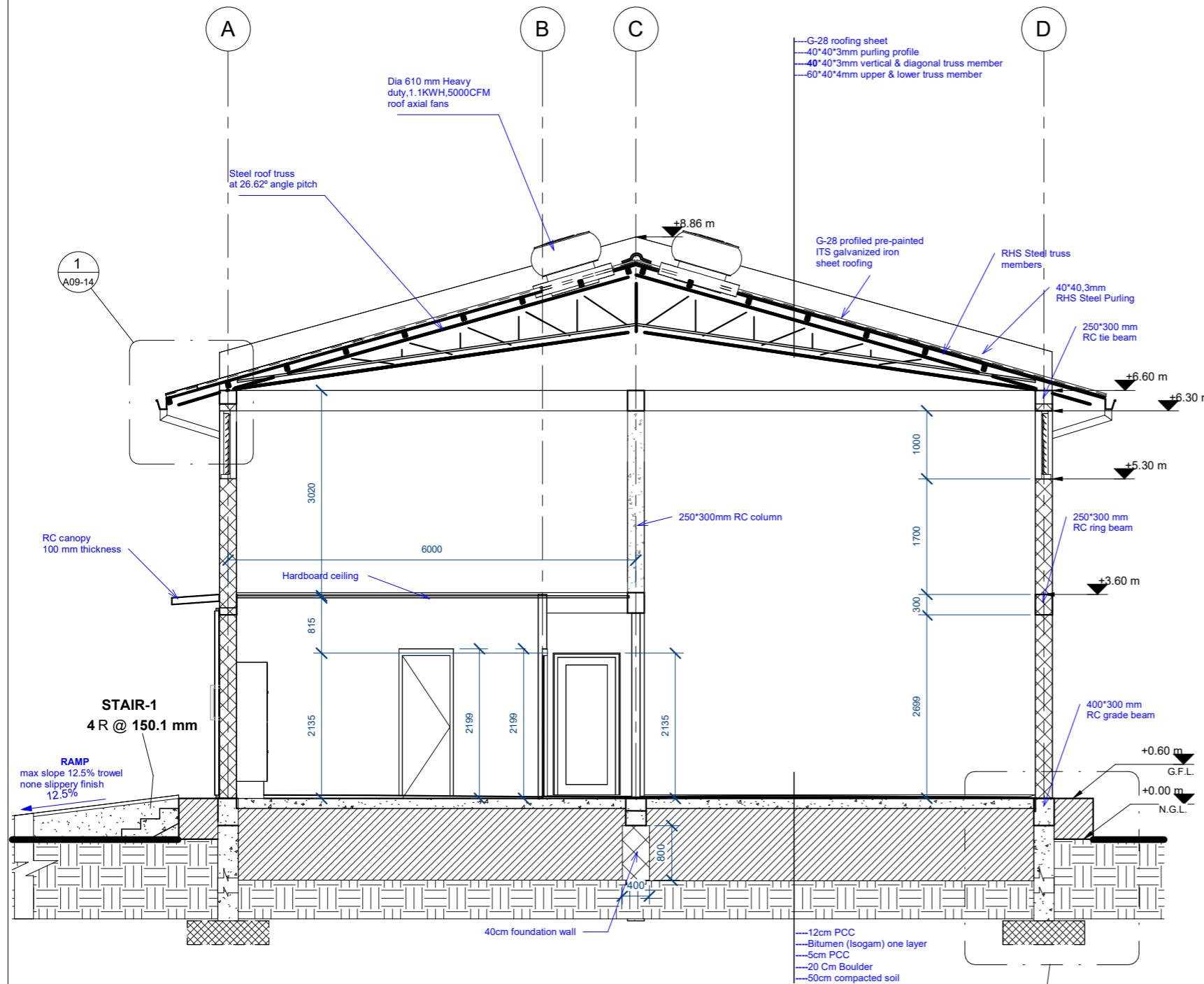
**GENERAL NOTES**

- 1, ALL DIMENSIONS ARE IN MILLIMETERS UNLESS OTHERWISE STATED.
- 2, ALL DIMENSIONS TO BE CHECKED AND CONFIRMED ON SITE BEFORE COMMENCEMENT OF ANY WORK.
- 3, WRITTEN DIMENSIONS OVERRIDES SCALED DIMENSIONS, THUS ALL DIMENSIONS ARE TO BE READ AND NOT AT ANY TIME SCALED FROM THE DRAWING.
- 4, ANY DISCREPANCY TO BE REPORTED TO THE ACTED SITE ENGINEER/ PROJECT MANAGER PROMPTLY BEFORE PROCEEDING.

No.	Description	Date

Design Status	<b>WORKING DRAWING</b>	
Client	<b>ACTED SOUTH SUDAN</b>	
Consultant	<b>LADDER ENGINEERING &amp; GENERAL TRADING CO. LTD</b>	
Project Name	<b>HONEY PROCESSING UNIT</b>	
Location	<b>IBBA, IBBA COUNTY, WESTERN EQUATERIA STATE, SOUTH SUDAN</b>	
Drawing Title	<b>SECTION VIEW X-X</b>	
Design & Drawing By	<b>LADDER ENGINEERING</b>	Date <b>09/29/22</b>
Checked and Approved By.		Date
Scale	<b>AS SHOWN</b>	
Layout ID.	<b>A08-14</b>	Revision



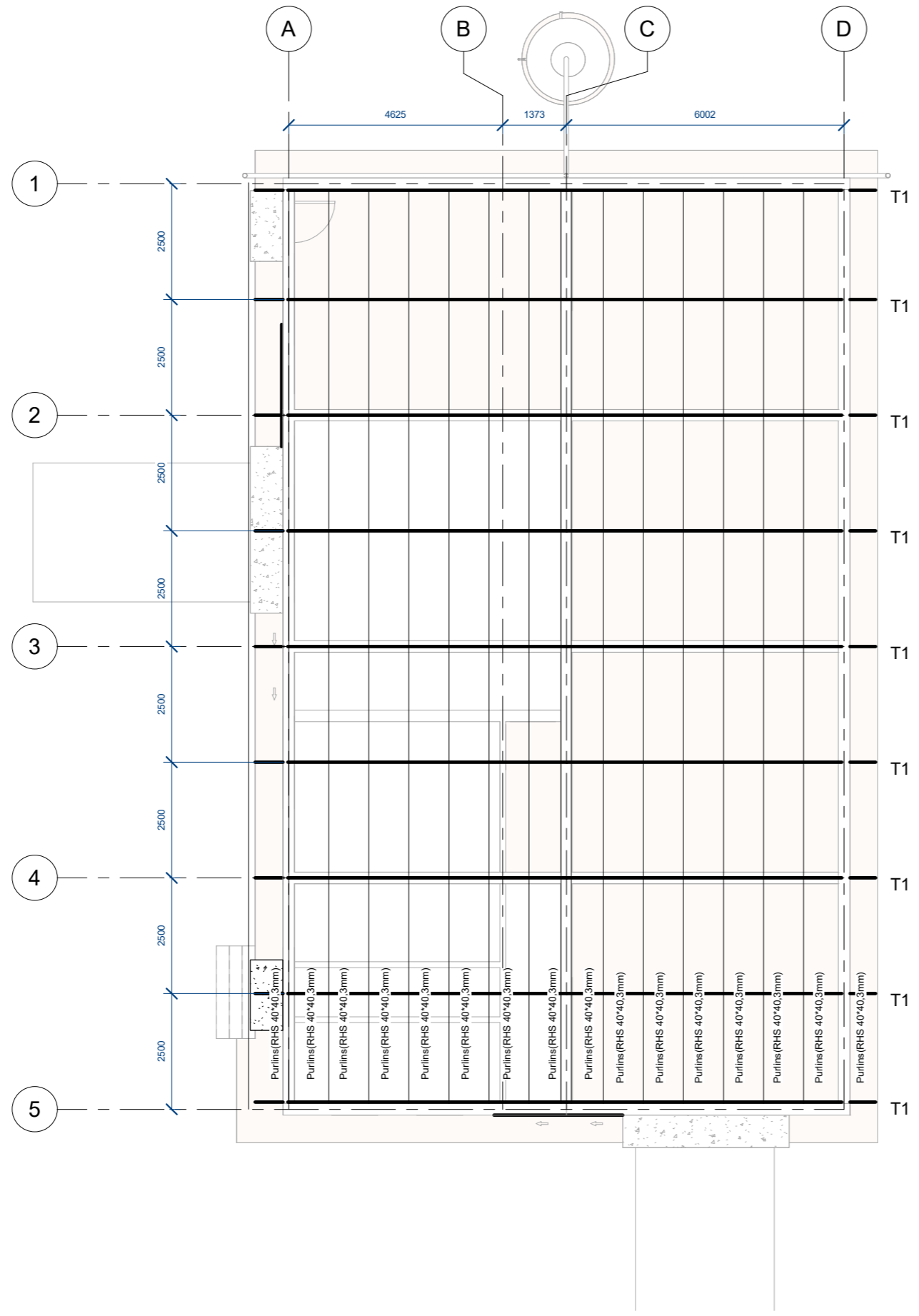


**GENERAL NOTES**

- 1, ALL DIMENSIONS ARE IN MILLIMETERS UNLESS OTHERWISE STATED.
- 2, ALL DIMENSIONS TO BE CHECKED AND CONFIRMED ON SITE BEFORE COMMENCEMENT OF ANY WORK.
- 3, WRITTEN DIMENSIONS OVERRIDES SCALED DIMENSIONS, THUS ALL DIMENSIONS ARE TO BE READ AND NOT AT ANY TIME SCALED FROM THE DRAWING.
- 4, ANY DISCREPANCY TO BE REPORTED TO THE ACTED SITE ENGINEER/ PROJECT MANAGER PROMPTLY BEFORE PROCEEDING.

No.	Description	Date

Design Status	<b>WORKING DRAWING</b>	
Client	<b>ACTED SOUTH SUDAN</b>	
Consultant	<b>LADDER ENGINEERING &amp; GENERAL TRADING CO. LTD</b>	
Project Name	<b>HONEY PROCESSING UNIT</b>	
Location	<b>IBBA, IBBA COUNTY, WESTERN EQUATERIA STATE, SOUTH SUDAN</b>	
Drawing Title	<b>SECTION VIEW Y-Y</b>	
Design & Drawing By	<b>LADDER ENGINEERING</b>	Date <b>10/28/22</b>
Checked and Approved By.		Date
Scale	<b>AS SHOWN</b>	
Layout ID.	<b>A09-14</b>	Revision

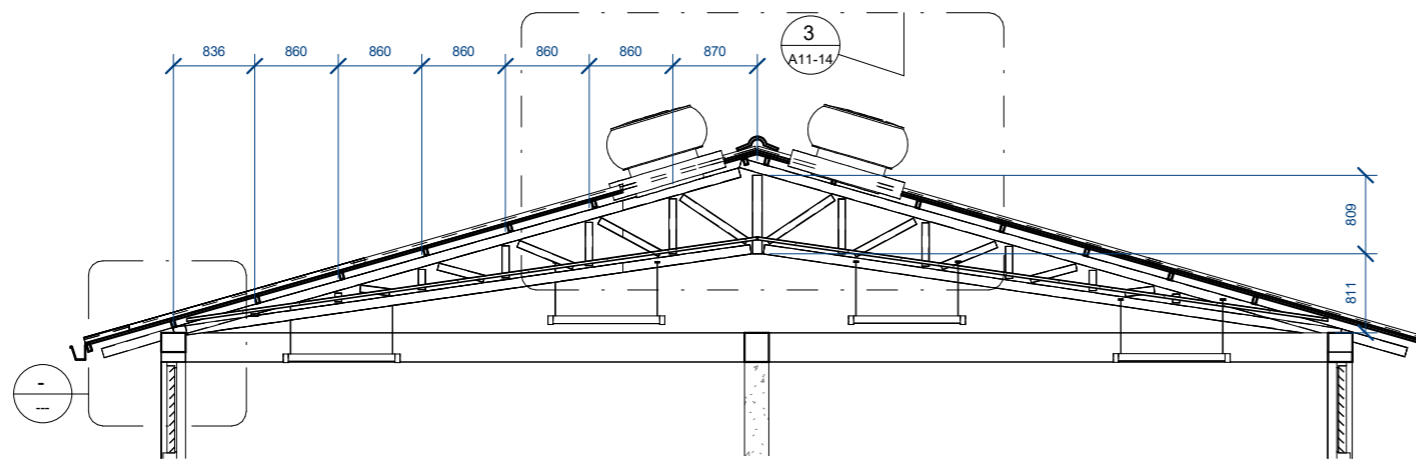


**GENERAL NOTES**

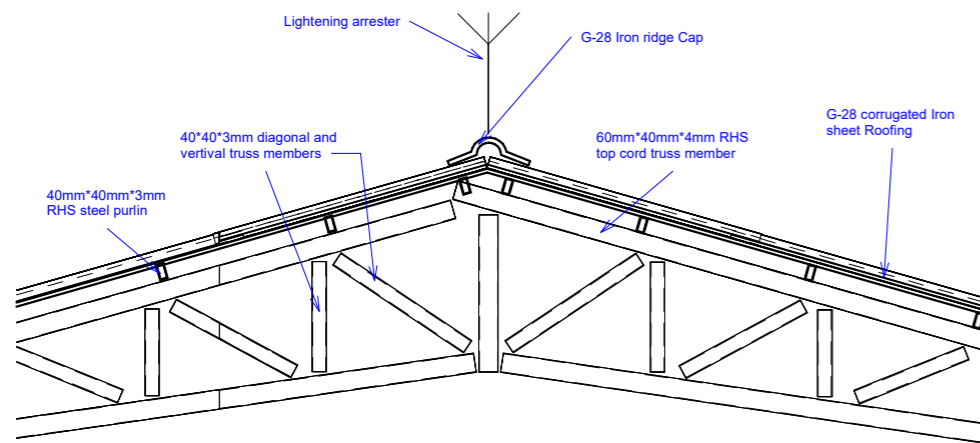
- 1, ALL DIMENSIONS ARE IN MILLIMETERS UNLESS OTHERWISE STATED.
- 2, ALL DIMENSIONS TO BE CHECKED AND CONFIRMED ON SITE BEFORE COMMENCEMENT OF ANY WORK.
- 3, WRITTEN DIMENSIONS OVERRIDES SCALED DIMENSIONS, THUS ALL DIMENSIONS ARE TO BE READ AND NOT AT ANY TIME SCALED FROM THE DRAWING.
- 4, ANY DISCREPANCY TO BE REPORTED TO THE ACTED SITE ENGINEER/ PROJECT MANAGER PROMPTLY BEFORE PROCEEDING.

No.	Description	Date

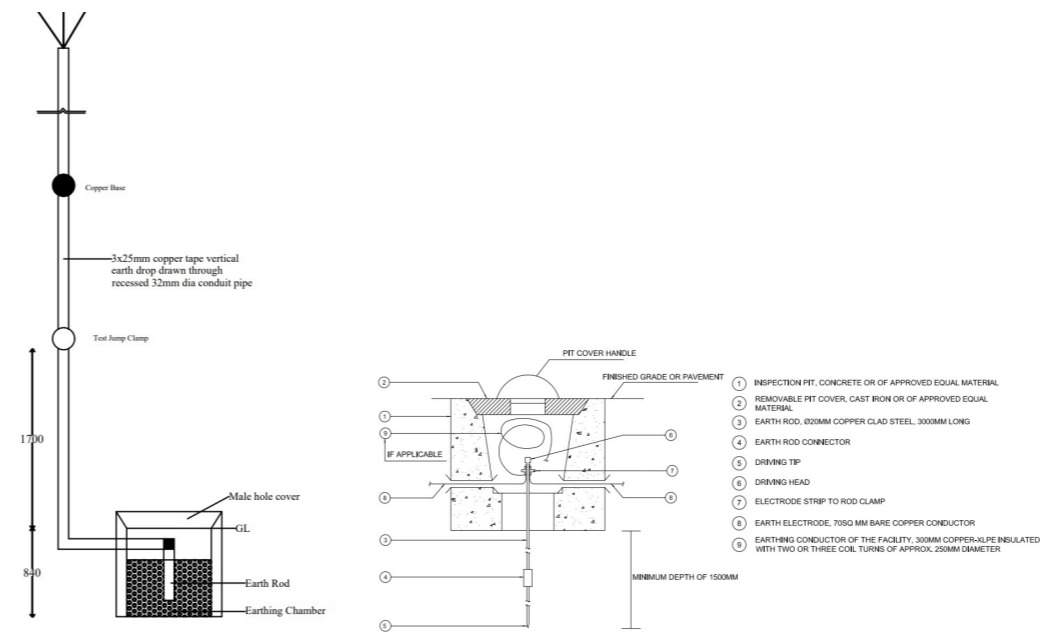
Design Status	<b>WORKING DRAWING</b>	
Client	<b>ACTED SOUTH SUDAN</b>	
Consultant	<b>LADDER ENGINEERING &amp; GENERAL TRADING CO. LTD</b>	
Project Name	<b>HONEY PROCESSING UNIT</b>	
Location	<b>IBBA, IBBA COUNTY, WESTERN EQUATERIA STATE, SOUTH SUDAN</b>	
Drawing Title	<b>ROOF TRUSS LAYOUT PLAN</b>	
Design & Drawing By	<b>LADDER ENGINEERING</b>	Date <b>11/12/22</b>
Checked and Approved By.		Date
Scale	<b>AS SHOWN</b>	
Layout ID.	<b>A10-14</b>	Revision



**ROOF TRUSS (T1) PLAN**  
SCALE 1:50



**RIDGE DETAILS**  
SCALE 1:25



**LIGHTENING ARRESTER AND ELECTRODE INSPECTION PIT DETAILS**

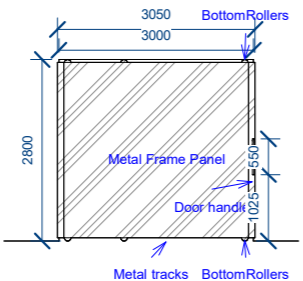
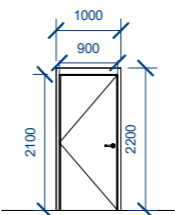
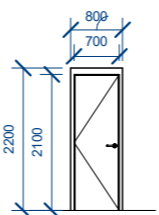
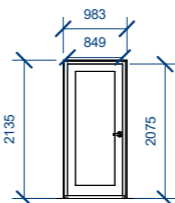

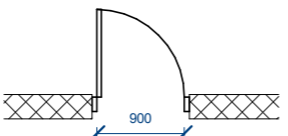
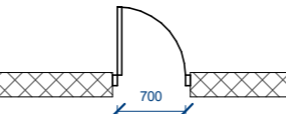
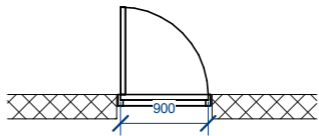
**GENERAL NOTES**

- 1, ALL DIMENSIONS ARE IN MILLIMETERS UNLESS OTHERWISE STATED.
- 2, ALL DIMENSIONS TO BE CHECKED AND CONFIRMED ON SITE BEFORE COMMENCEMENT OF ANY WORK.
- 3, WRITTEN DIMENSIONS OVERRIDES SCALED DIMENSIONS, THUS ALL DIMENSIONS ARE TO BE READ AND NOT AT ANY TIME SCALED FROM THE DRAWING.
- 4, ANY DISCREPANCY TO BE REPORTED TO THE ACTED SITE ENGINEER/ PROJECT MANAGER PROMTLY BEFORE PROCEEDING.

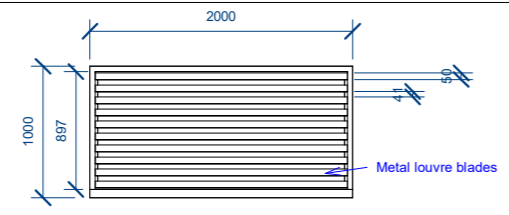
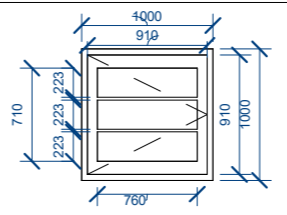
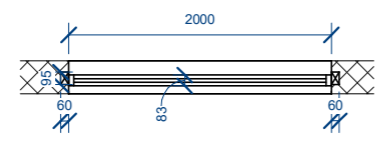
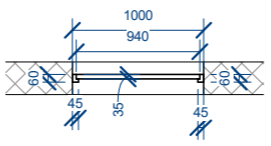
No.	Description	Date

Design Status	<b>WORKING DRAWING</b>	
Client	<b>ACTED SOUTH SUDAN</b>	
Consultant	<b>LADDER ENGINEERING &amp; GENERAL TRADING CO. LTD</b>	
Project Name	<b>HONEY PROCESSING UNIT</b>	
Location	<b>IBBA, IBBA COUNTY, WESTERN EQUATERIA STATE, SOUTH SUDAN</b>	
Drawing Title	<b>ROOF AND TRUSS DETAILS</b>	
Design & Drawing By	LADDER ENGINEERING	Date 11/12/22
Checked and Approved By.		Date
Scale	<b>AS SHOWN</b>	
Layout ID.	<b>A11-14</b>	Revision

### DOORS SCHEDULE

F=FIXED M= MOVABLE				
OPENING				
FLOOR FINISH LEVEL				
TYPE	<b>D1</b>	<b>D2</b>	<b>D3</b>	<b>D4</b>
SIZE	3050 X 2800 MM	900 X 2200 MM	700 X 2200 MM	900 X 2200 MM
QUANTITY	2	2	3	2
MATERIAL	METAL FRAME WITH TOP & BOTTOM METAL TRACKS	RHS METAL FRAME AND METAL PANEL	WOODEN FRAME	PAINTED METAL ALUMINIUM CGI
GLAZING	NONE	NONE	NONE	CLEAR GALZING

### WINDOWS SCHEDULE

F=FIXED M= MOVABLE		
OPENING		
FLOOR FINISH LEVEL		
TYPE	<b>W1</b>	<b>W2</b>
SIZE	2000 X 1000 MM	1000 X 1000 MM
QUANTITY	8	4
MATERIAL	METAL FRAME WITH STAINLESS STEEL LOUVRE BLADES	METAL FRAME
GLAZING	NONE	CLEAR GLAZING

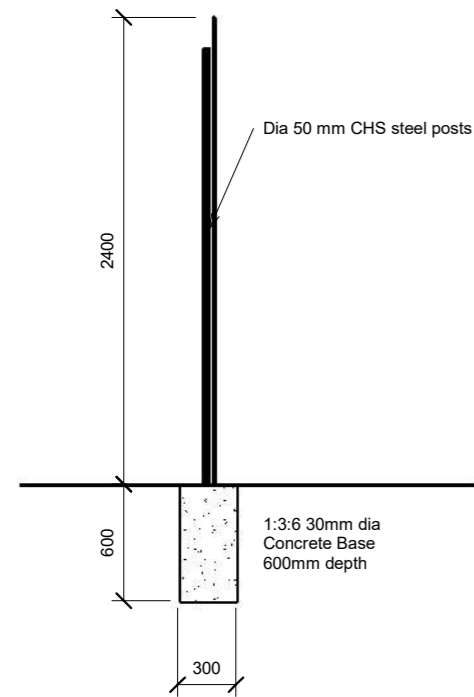
#### GENERAL NOTES

- 1, ALL DIMENSIONS ARE IN MILLIMETERS UNLESS OTHERWISE STATED.
- 2, ALL DIMENSIONS TO BE CHECHED AND CONFIRMED ON SITE BEFORE COMMENCEMENT OF ANY WORK.
- 3, WRITTEN DIMENSIONS OVERRIDES SCALED DIMENSIONS, THUS ALL DIMENSIONS ARE TO BE READ AND NOT AT ANY TIME SCALED FROM THE DRAWING.
- 4, ANY DISCREPANCY TO BE REPORTED TO THE ACTED SITE ENGINEER/ PROJECT MANAGER PROMTLY BEFORE PROCEEDING.

No.	Description	Date

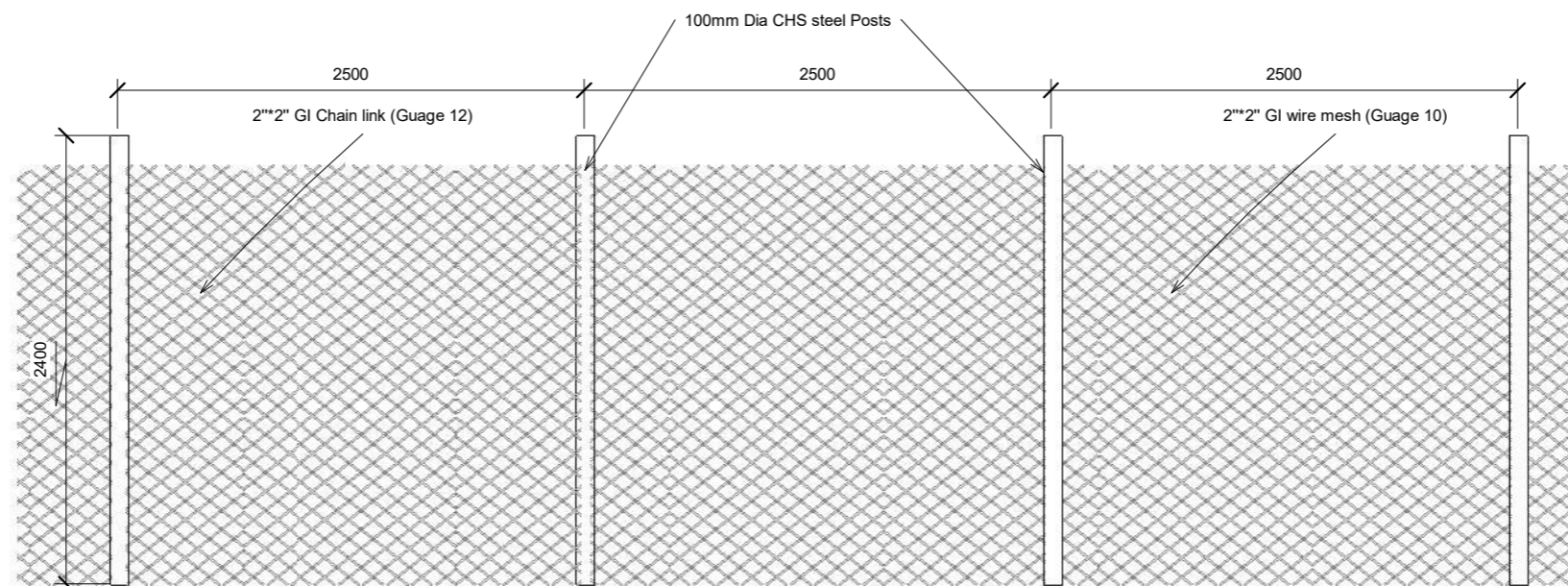
Design Status	<b>WORKING DRAWING</b>
Client	<b>ACTED SOUTH SUDAN</b>
Consultant	<b>LADDER ENGINEERING &amp; GENERAL TRADING CO. LTD</b>
Project Name	<b>HONEY PROCESSING UNIT</b>
Location	<b>IBBA, IBBA COUNTY, WESTERN EQUATERIA STATE, SOUTH SUDAN</b>
Drawing Title	<b>DOOR &amp; WINDOW SCHEDULE</b>
Design & Drawing By	Date <b>LADDER ENGINEERING</b> <b>10/29/22</b>
Checked and Approved By.	Date
Scale	<b>AS SHOWN</b>
Layout ID.	Revision
<b>A12-14</b>	





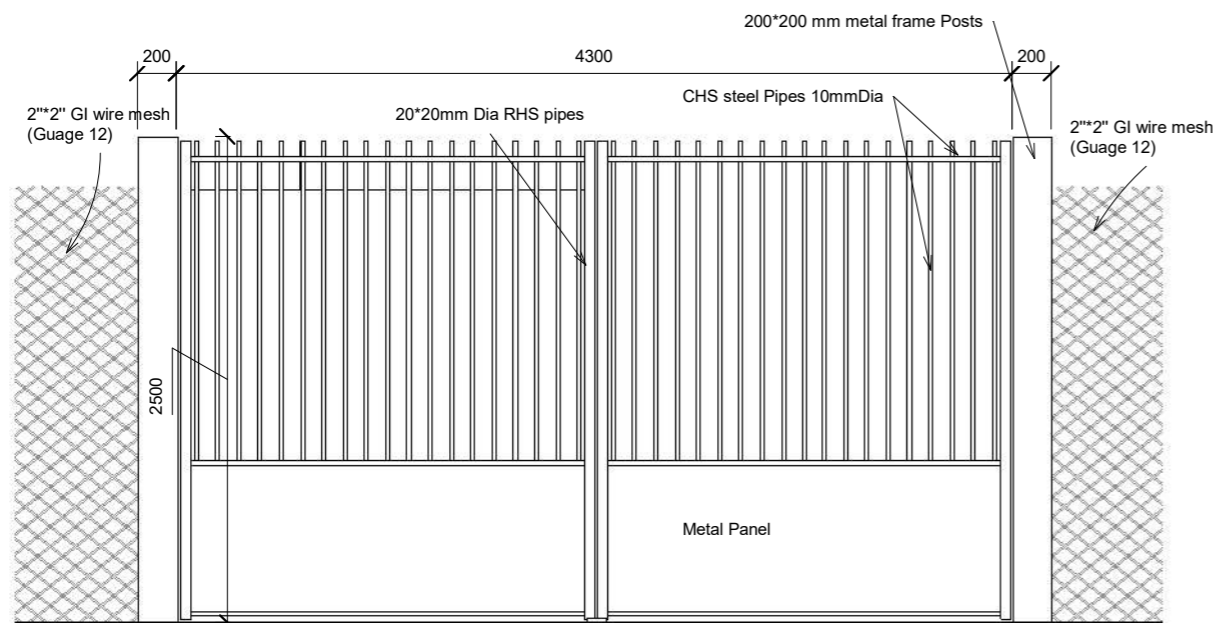
**FENCE POST SECTION**

SCALE 1:50



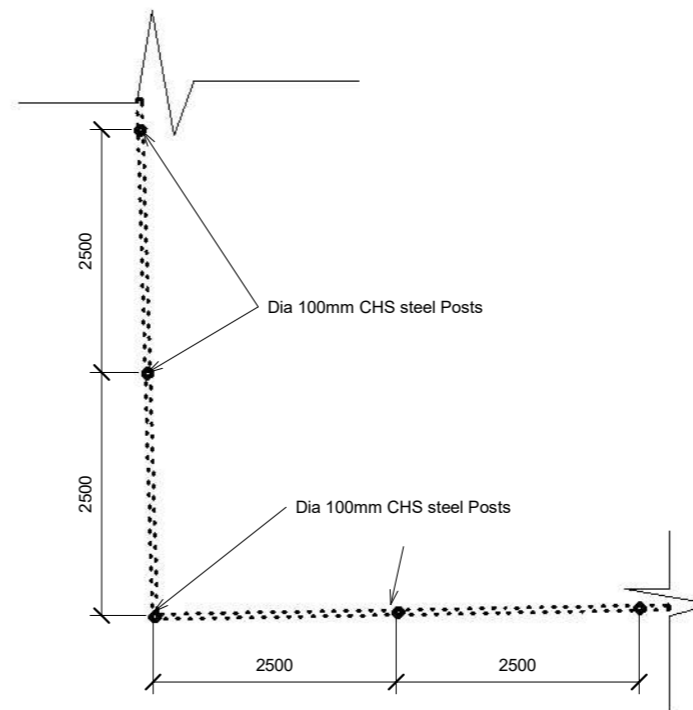
**FENCE FRONT ELEVATION**

SCALE 1:50



**GATE FRONT ELEVATION**

SCALE 1:25



**FENCE PLAN**

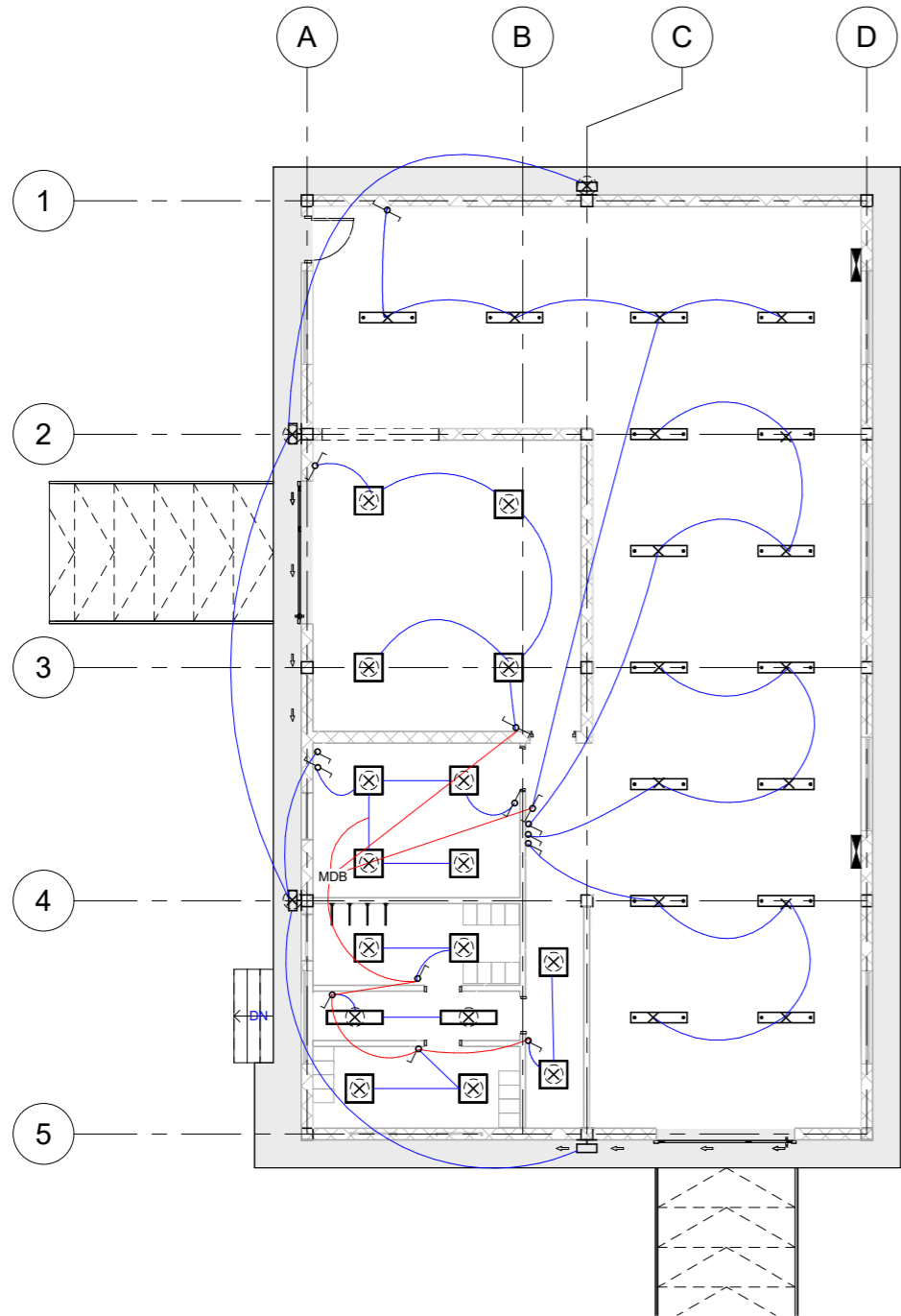
SCALE 1:50

**GENERAL NOTES**

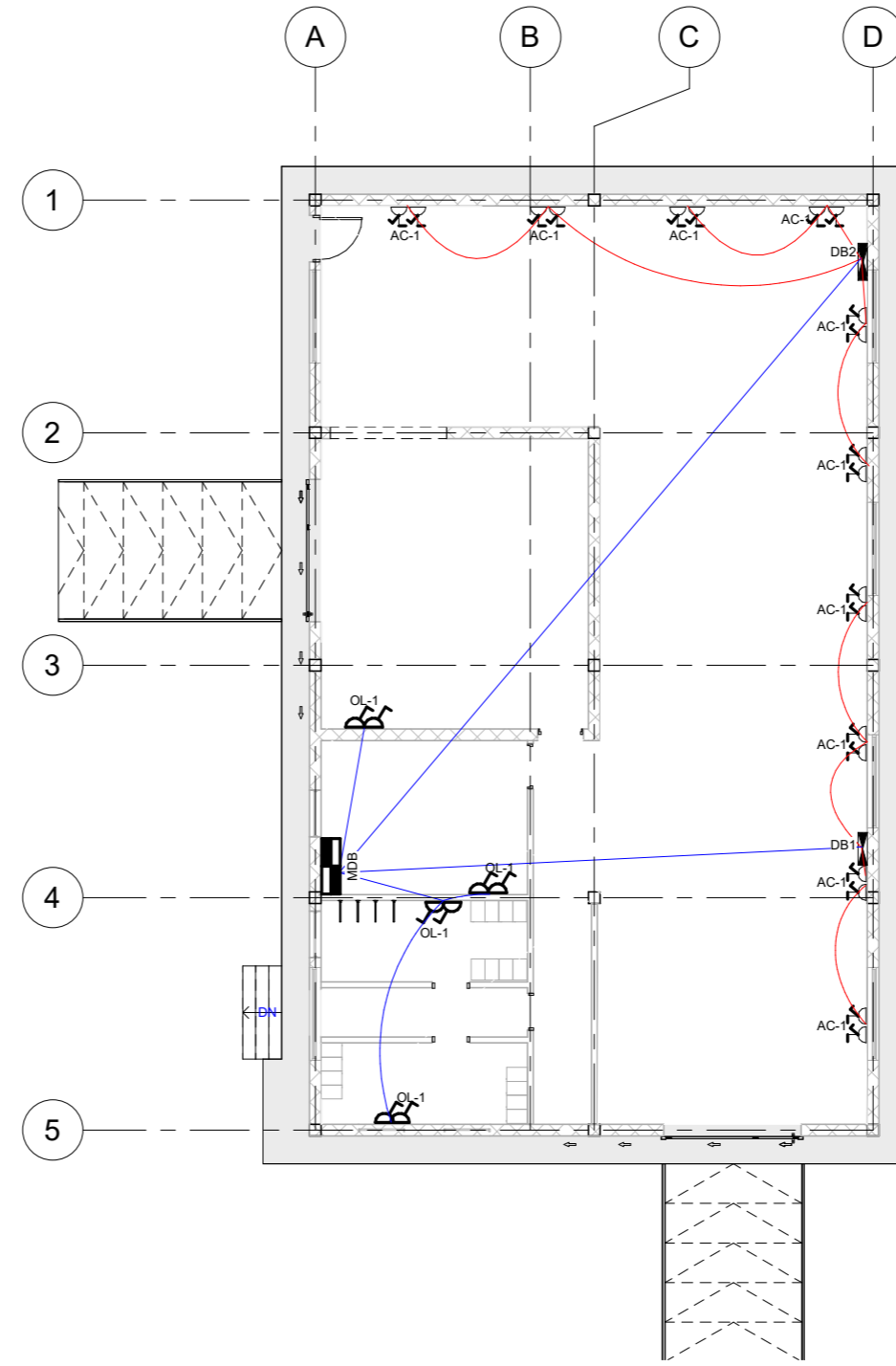
- 1, ALL DIMENSIONS ARE IN MILLIMETERS UNLESS OTHERWISE STATED.
- 2, ALL DIMENSIONS TO BE CHECKED AND CONFIRMED ON SITE BEFORE COMMENCEMENT OF ANY WORK.
- 3, WRITTEN DIMENSIONS OVERRIDES SCALED DIMENSIONS, THUS ALL DIMENSIONS ARE TO BE READ AND NOT AT ANY TIME SCALED FROM THE DRAWING.
- 4, ANY DISCREPANCY TO BE REPORTED TO THE ACTED SITE ENGINEER/ PROJECT MANAGER PROMPTLY BEFORE PROCEEDING.

No.	Description	Date

Design Status	<b>WORKING DRAWING</b>	
Client	<b>ACTED SOUTH SUDAN</b>	
Consultant	<b>LADDER ENGINEERING AND GENERAL TRADING CO. LTD</b>	
Project Name	<b>HONEY PROCESSING FACTORY</b>	
Location	<b>IBBA, IBBA COUNTY, WESTERN EQUATORIAL, SOUTH SUDAN</b>	
Drawing Title	<b>FENCE &amp; GATE DETAILS</b>	
Design & Drawing By	<b>LADDER ENGINEERING</b>	Date <b>01/09/23</b>
Checked and Approved By.		Date
Scale	<b>AS SHOWN</b>	
Layout ID.	<b>A13-14</b>	Revision



1 Electrical light fixtures and Wiring  
1 : 100



2 Electrical power outlet fixtures and Wiring  
1 : 100

- LEGEND**
- × Light Point (Pendant)
  - ⊗ Light Point (Recessed)
  - ⌚ / SW-1 Single pole switch
  - ⌚ / SW-2 Double pole switch
  - ▬ MDB Main Distribution Box
  - DB-1 Sub Distribution Box No 1
  - DB-2 Sub Distribution Box No 2
  - OL-1 Power Outlet(Single, switched)
  - AC-1 Outlet for AC Power(double, switched)

No.	Description	Date

Design Status	<b>WORKING DRAWING</b>	
Client	<b>ACTED SOUTH SUDAN</b>	
Consultant	<b>LADDER ENGINEERING &amp; GENERAL TRADING CO. LTD</b>	
Project Name	<b>HONEY PROCESSING UNIT</b>	
Location	<b>IBBA, IBBA COUNTY, WESTERN EQUATERIA STATE, SOUTH SUDAN</b>	
Drawing Title	<b>ELECTRICAL FIXTURES AND WIRING PLAN</b>	
Design & Drawing By	Date	
<b>LADDER ENGINEERING</b>	<b>10/29/22</b>	
Checked and Approved By.	Date	
Scale	<b>AS SHOWN</b>	
Layout ID.	Revision	
<b>A14-14</b>		