

1 BOYS' TOILET
SCALE 1:50

FIXTURE FINISH LEGEND



F= FLOOR
S= SKIRTING
W= WALL
C= CEILING

FLOOR

A= CONCRETE SLAB FLOATED WITH STEEL TROWEL
B= CEMENT SCREED

SKIRTING

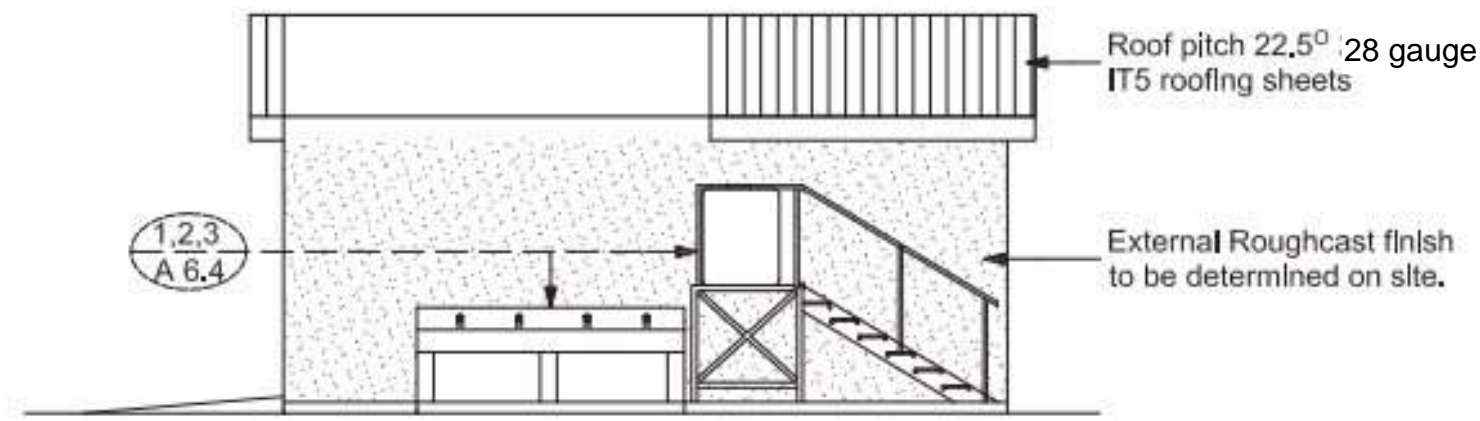
A= CEMENT SCREED

WALL

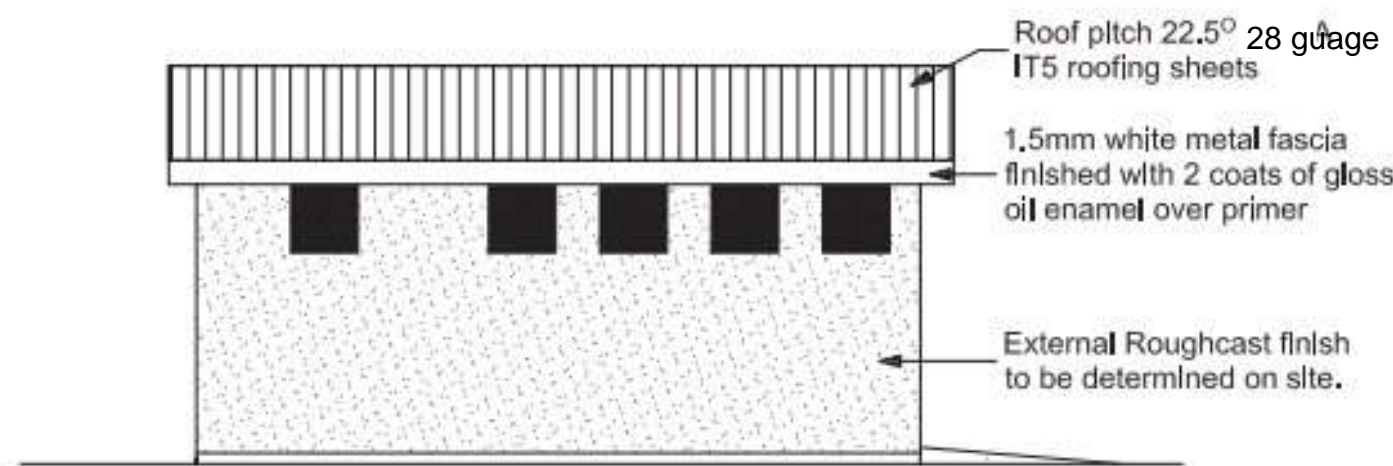
A = LIME PLASTER FINISHED WITH SILK VINYL EMULSION PAINT

CEILING

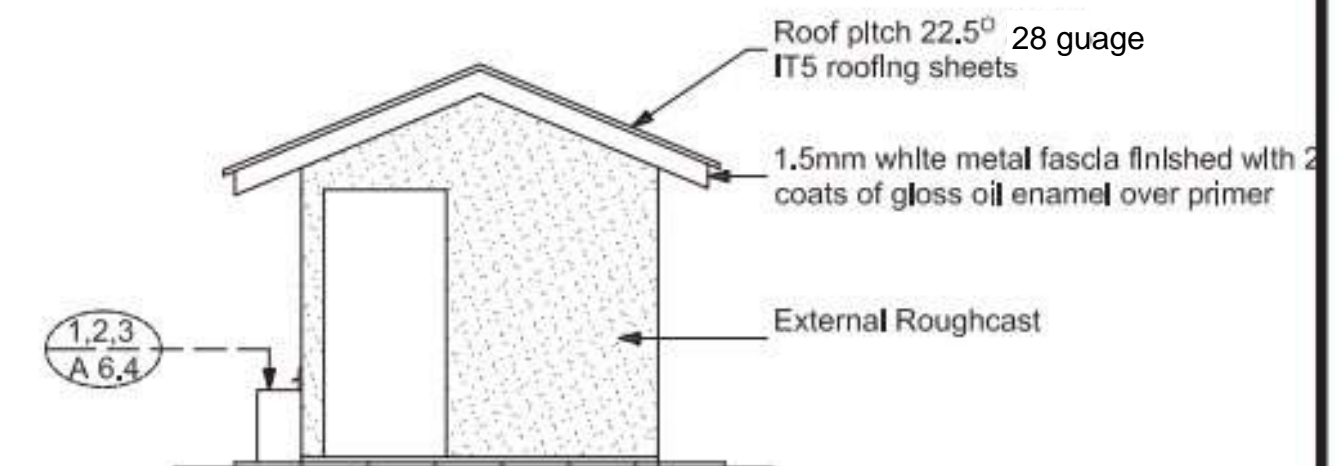
A = 9mm CHIPBOARD CEILING



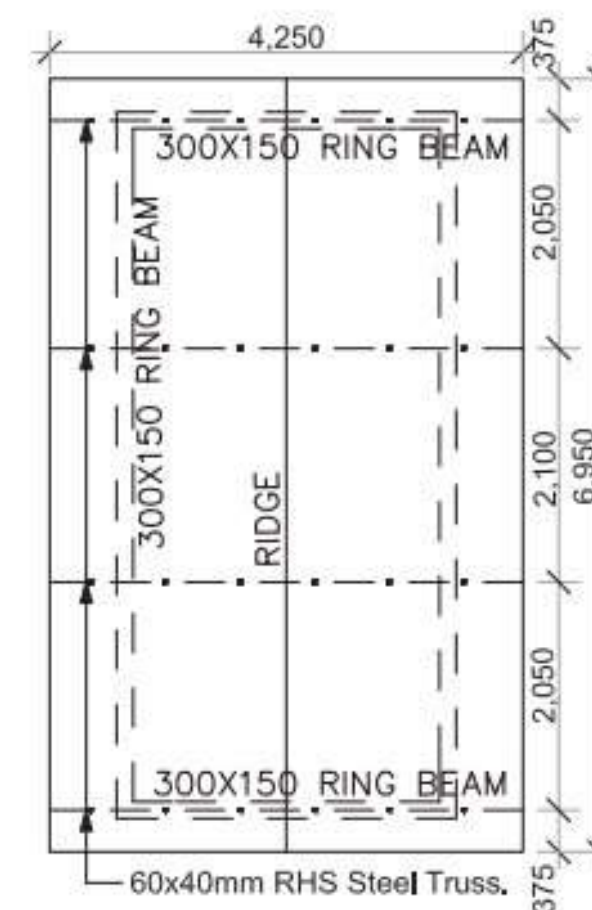
2 BOYS TOILET - FRONT ELEVATION
Scale 1:100



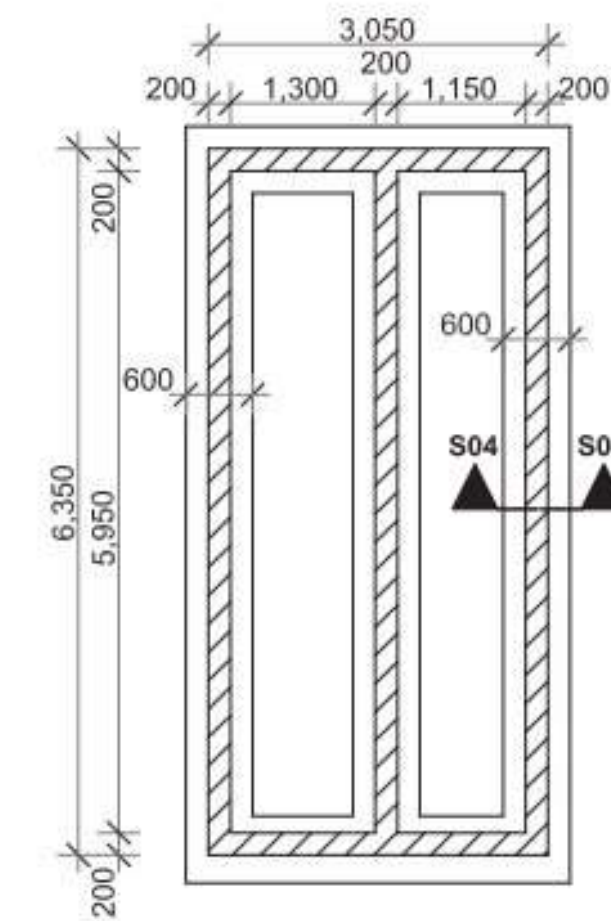
3 BOYS' TOILET - REAR ELEVATION
Scale 1:100



4 BOYS' TOILET - SIDE ELEVATION
Scale 1:100

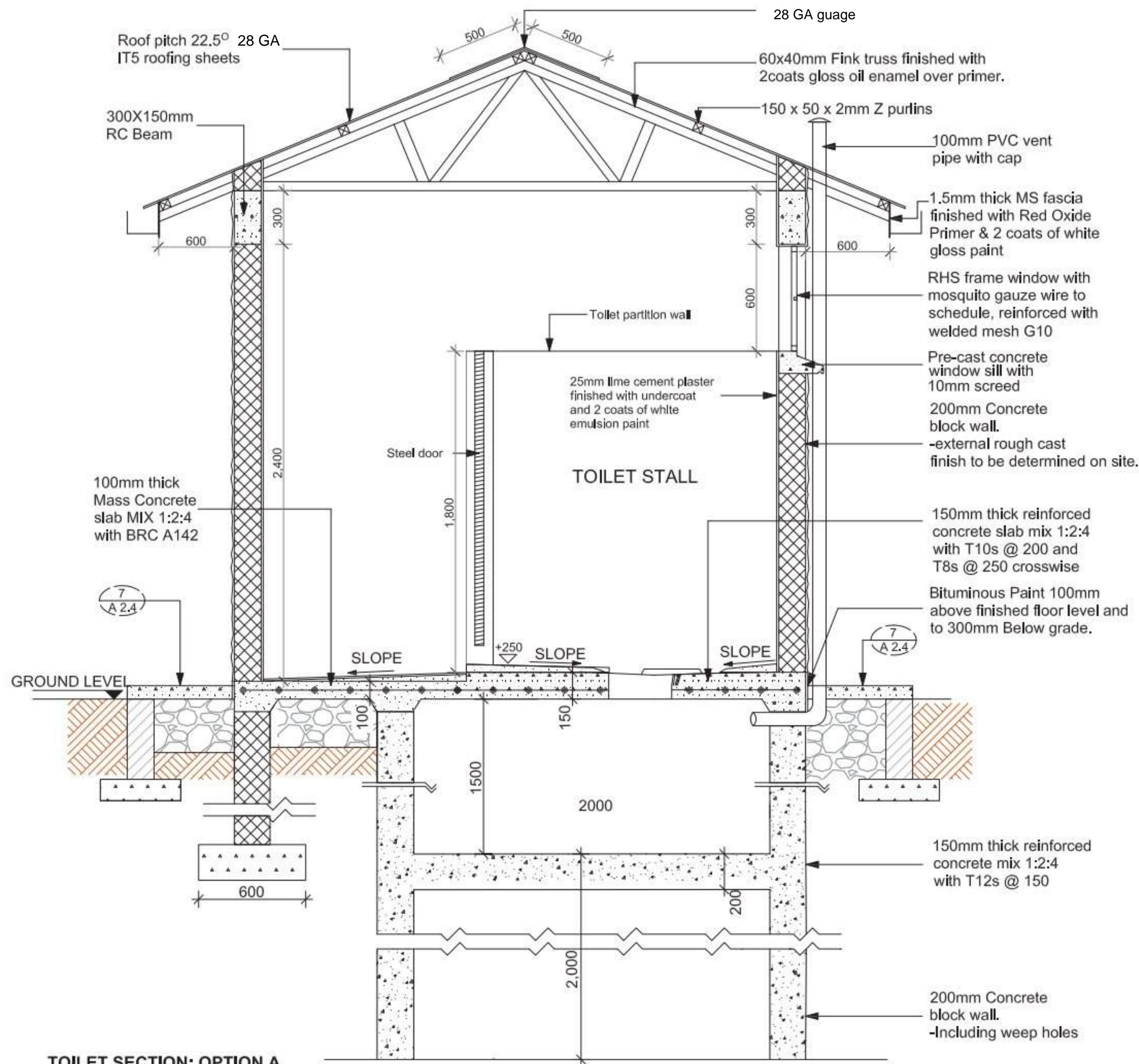


5 BOYS' TOILET ROOF FRAMING PLAN
SCALE 1:100

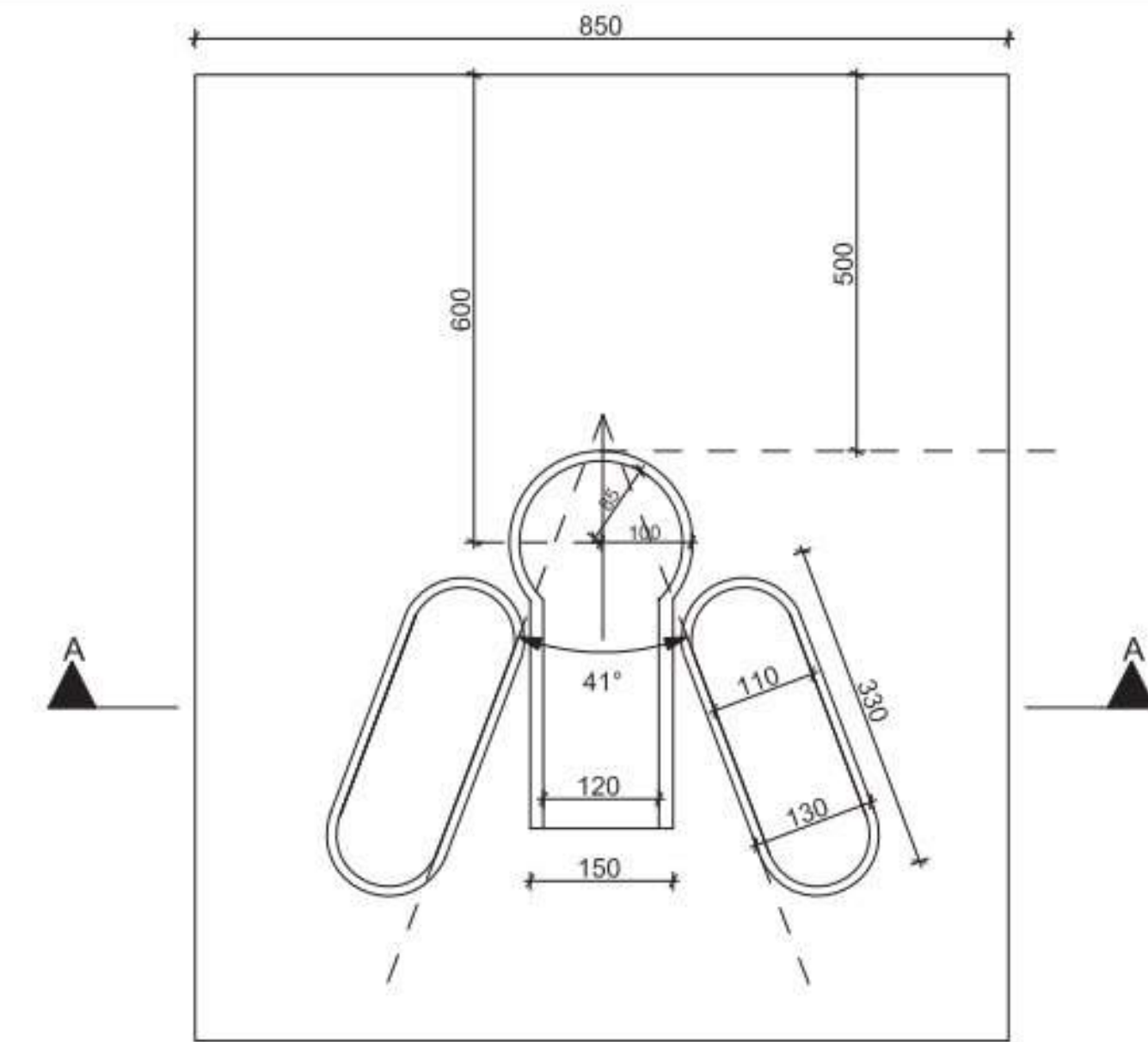


6 BOYS' TOILET FOUNDATION PLAN
SCALE 1:100

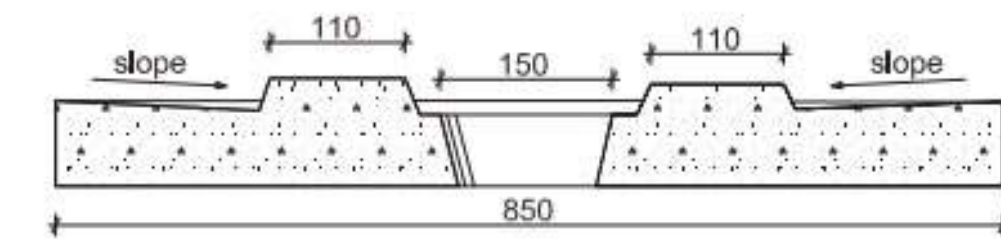
Revision			By
No	Date	Description	



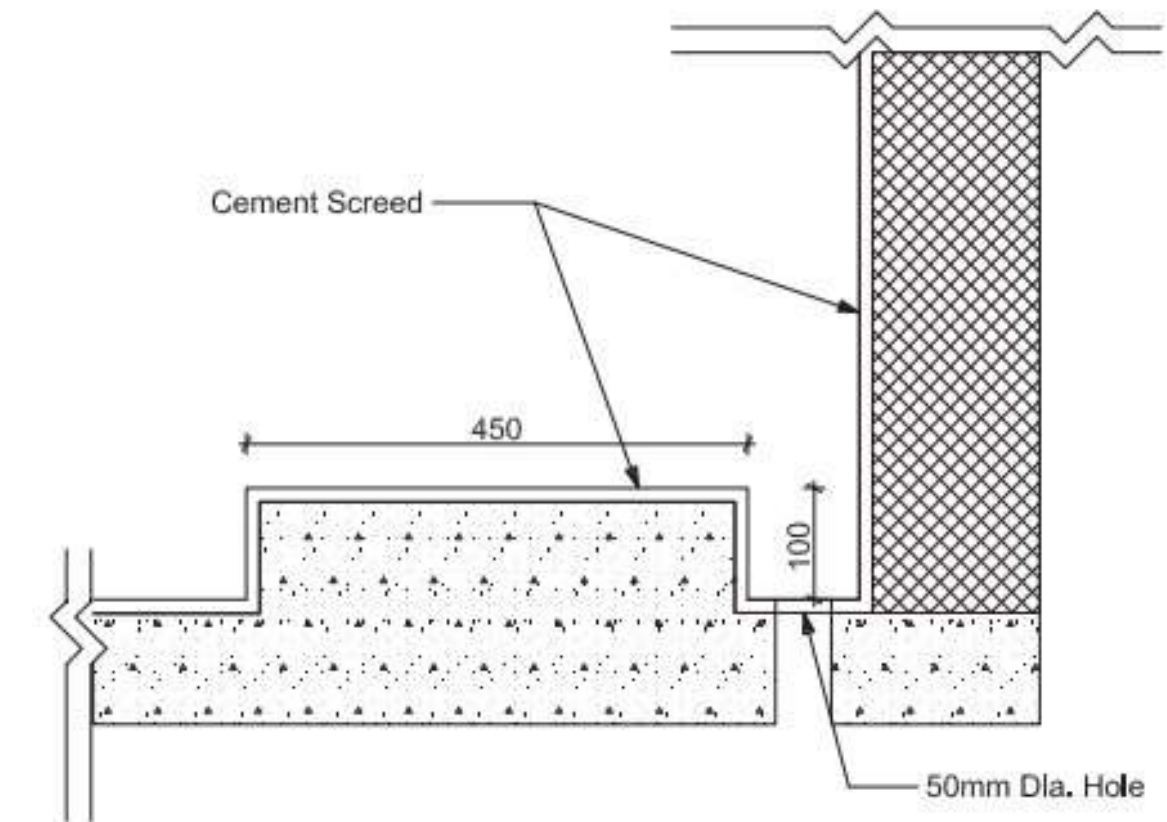
1 TOILET SECTION: OPTION A
Simple drop pit



2 TOILET FLOOR DETAIL
SCALE 1:10

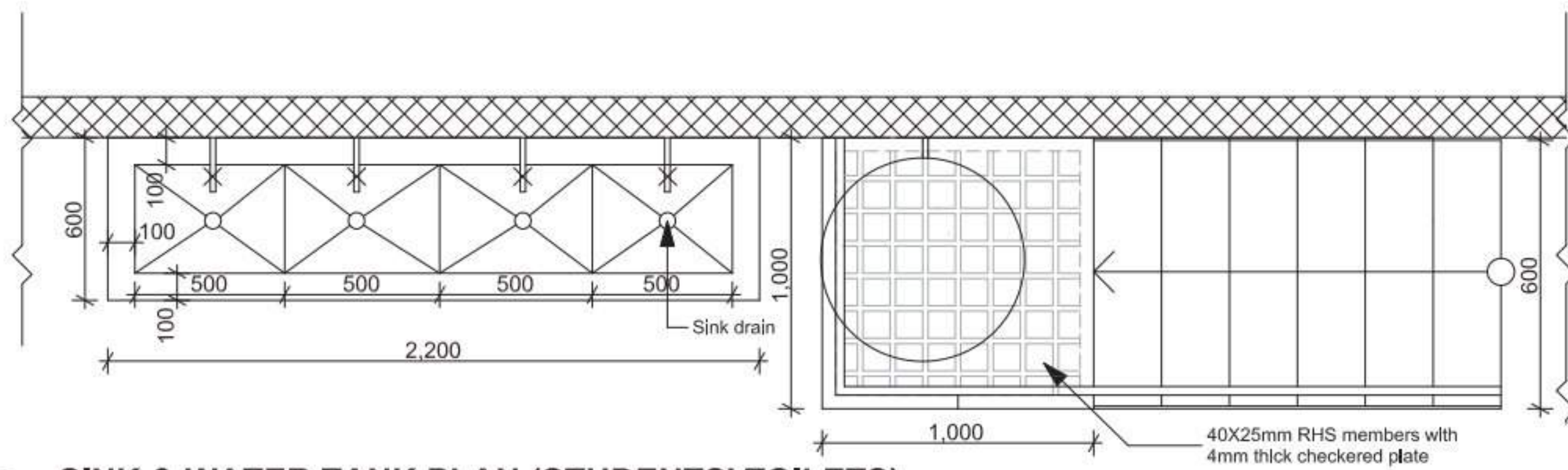


3 SECTION A-A
SCALE 1:10

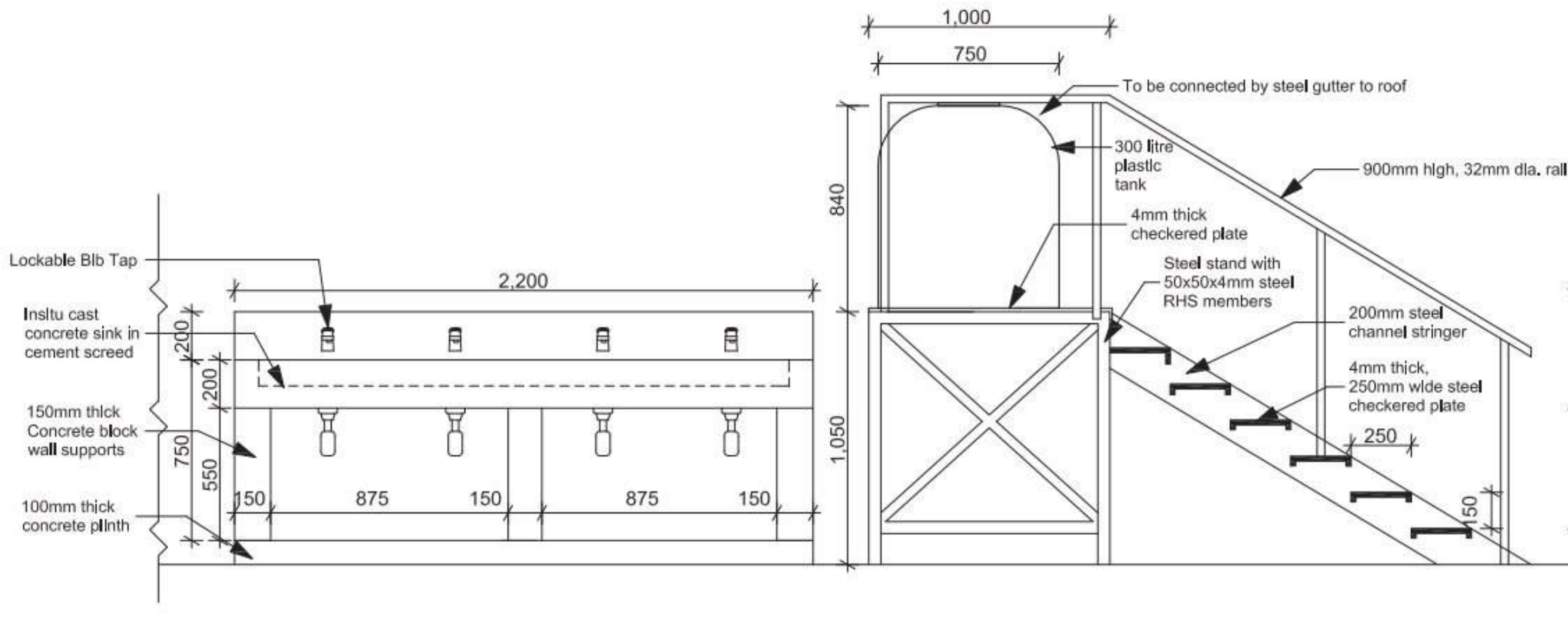


4 URINAL DETAIL
SCALE 1:20

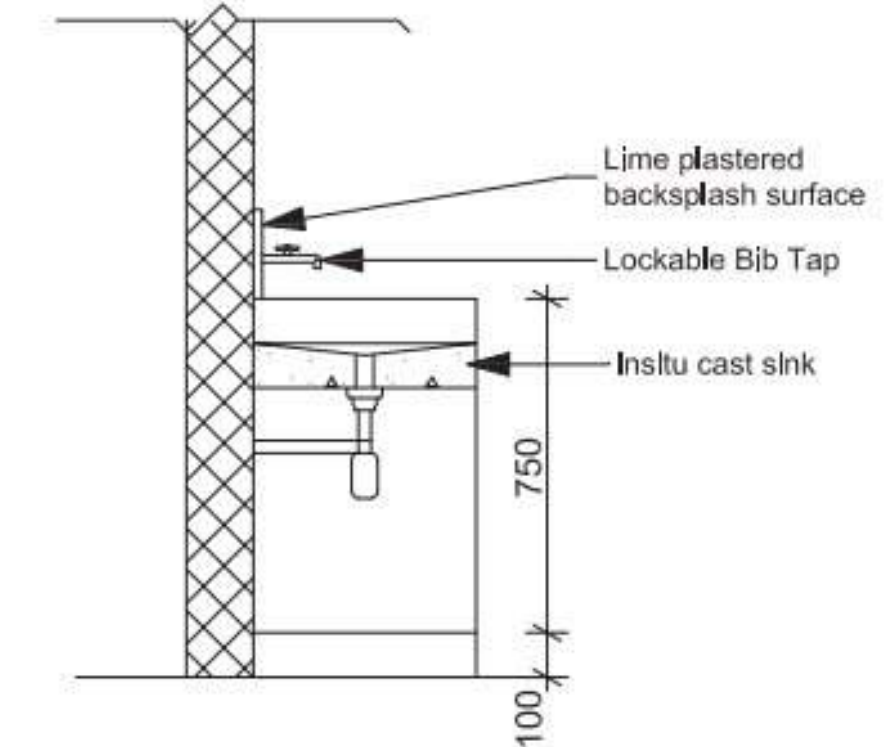
	Project Title ECW crisis modifier support Activity	Drawing Title Construction of four stances and disability toilet for Boys	Check by: Office of physical Planning & Construction, MoGEI	Approved by: Ministry of Housing & Planning	Revision			Date 05/05/2024	Drawn by Oryem. W	Project No		
					No	Date	Description			By	Drawing No	
											01	
								Scale	Checked by James O			



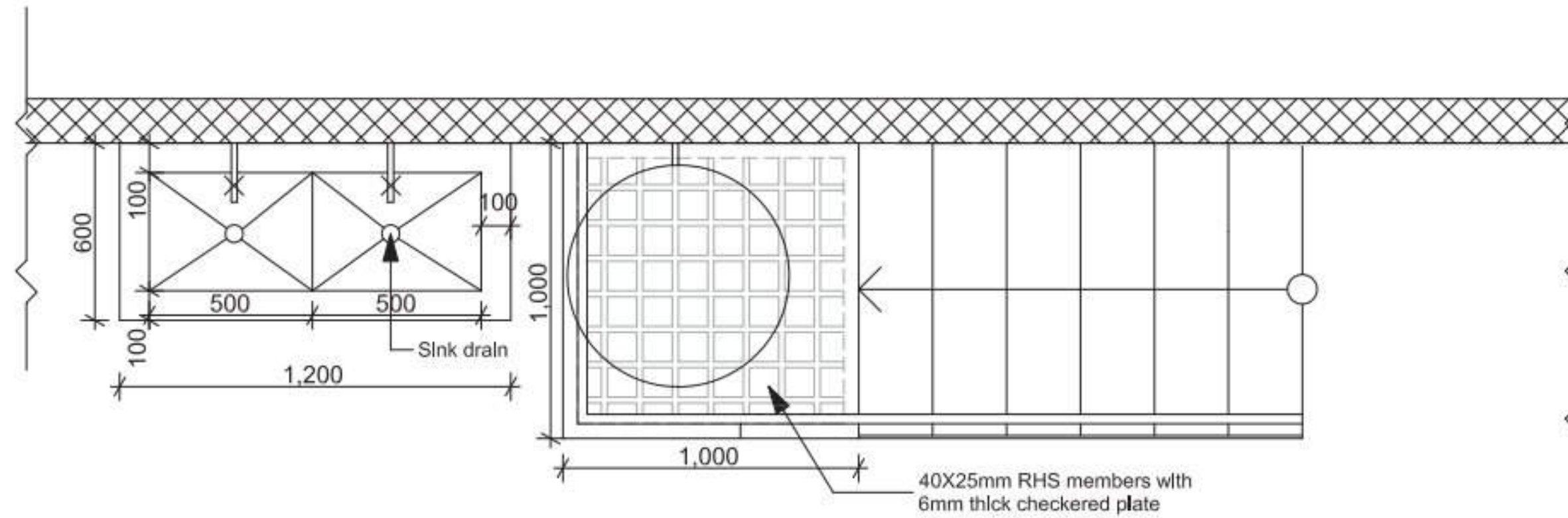
1 **SINK & WATER TANK PLAN (STUDENTS' TOILETS)**
Scale 1:25



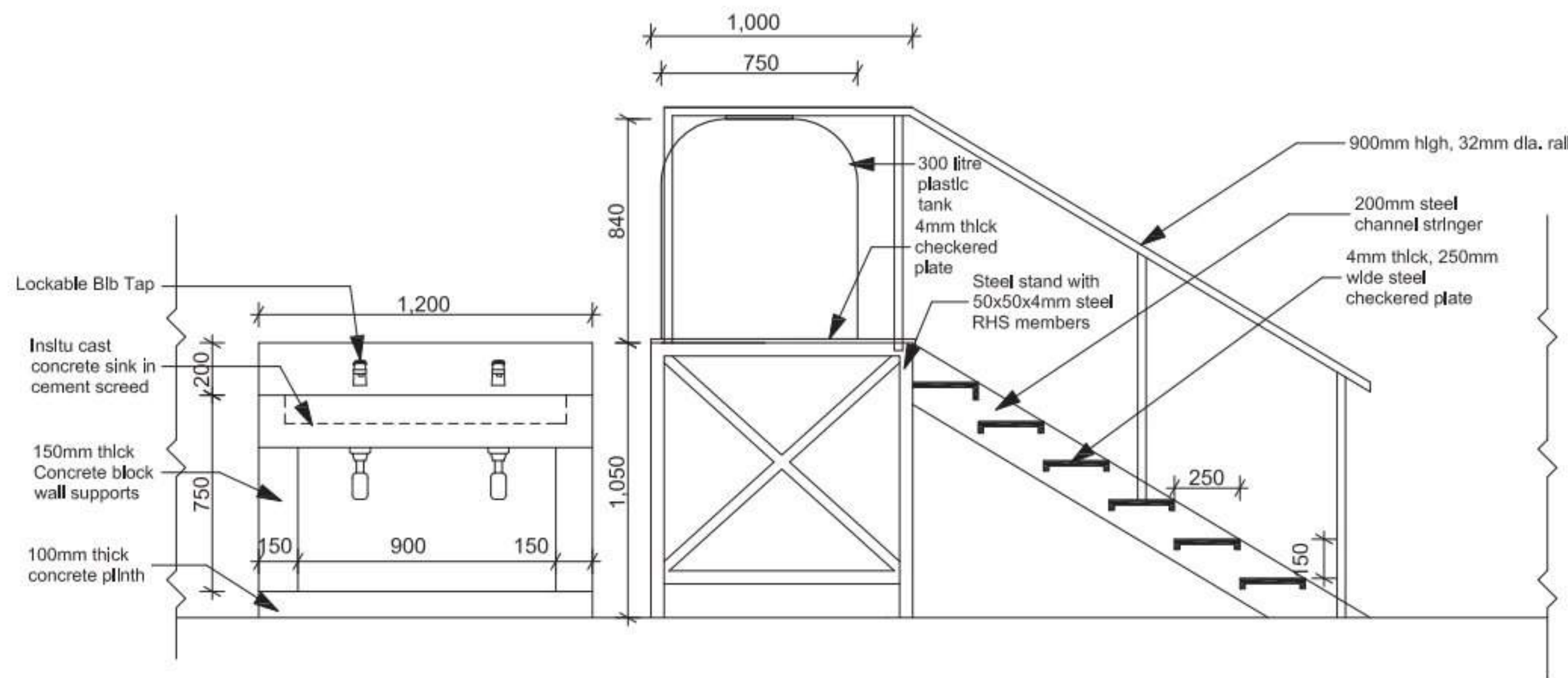
2 **SINK & WATER TANK ELEVATION (STUDENTS' TOILETS)**
Scale 1:25



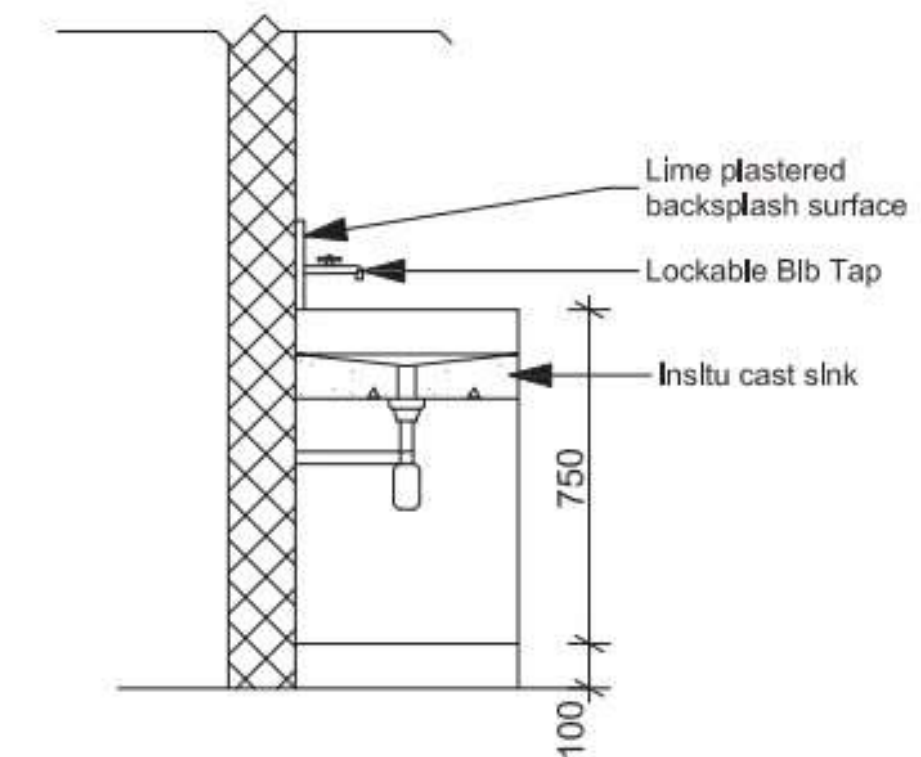
3 **SINK SECTION**
Scale 1:25



1 **SINK & WATER TANK PLAN (TEACHERS' TOILETS)**
Scale 1:25



2 **SINK & WATER TANK ELEVATION (TEACHERS' TOILETS)**
Scale 1:25



3 **SINK SECTION**
Scale 1:25