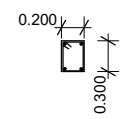


ELEVATION
SCALE 1:50

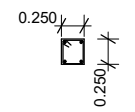
6000x2400mm high steel Gate with pedestrian gate in the middle, painted with approved color

200mm thick, 2400mm high block walling plastered

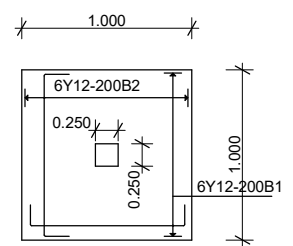
250x250mm R.C column palster



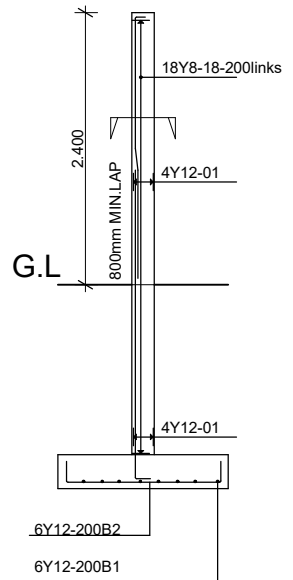
SECTION OF BEAM
SCALE 1:50



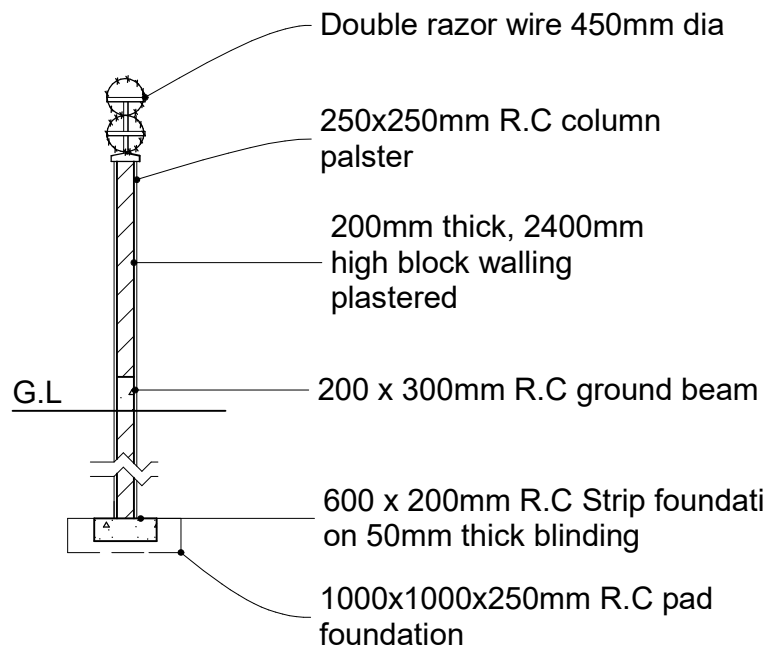
SECTION OF COLUMN
SCALE 1:50



BASE DETAIL
SCALE 1:50



SECTION THRU COLUMN AND PAD
SCALE 1:50



SECTION THRU BLOCK WALL
SCALE 1:50

Revisions
Company Title
Cell phone: +211(0)922090007, +211(0)925849291, Email :
Job Title
Proposed Boundary wall in Pibor, Gonglei State
Client
PLAN INTERNATIONAL
Client Signature
Drawing Name
PLAN, ELEVATION AND SECTION
Drawn by
Done by: E. Anyiego 7 May 2023
Checked by: D. Marube 7 May 2023
Drawing Scale
1:50
Plan no.
SNM/12/2023/A001