

1 BOYS' TOILET
SCALE 1:50

FIXTURE FINISH LEGEND



F= FLOOR
S= SKIRTING
W= WALL
C= CEILING

FLOOR

A= CONCRETE SLAB FLOATED WITH STEEL TROWEL

B= CEMENT SCREED

SKIRTING

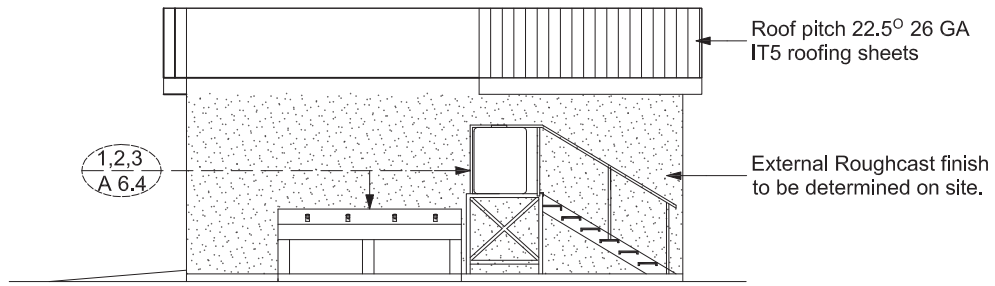
A= CEMENT SCREED

WALL

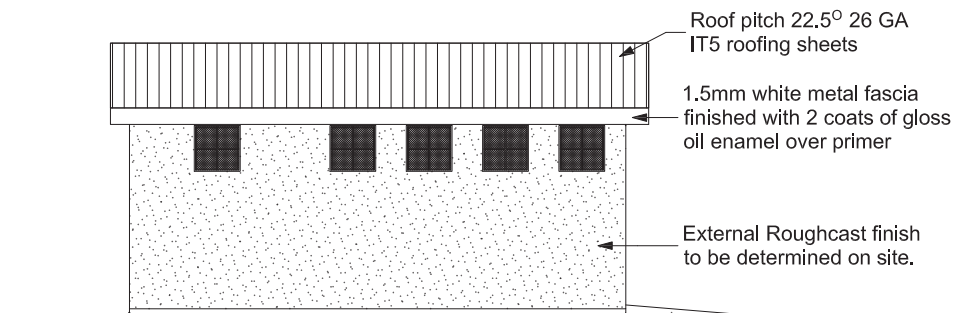
A = LIME PLASTER FINISHED WITH SILK VINYL EMULSION PAINT

CEILING

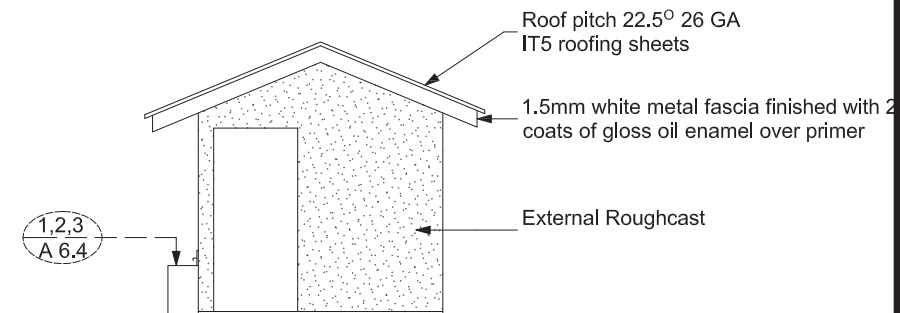
A = 9mm CHIPBOARD CEILING



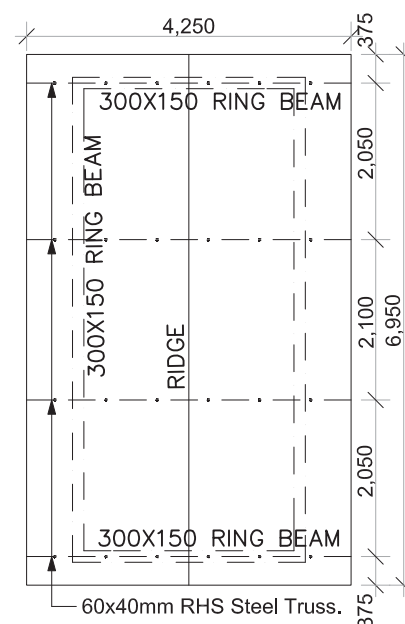
2 BOYS TOILET - FRONT ELEVATION
Scale 1:100



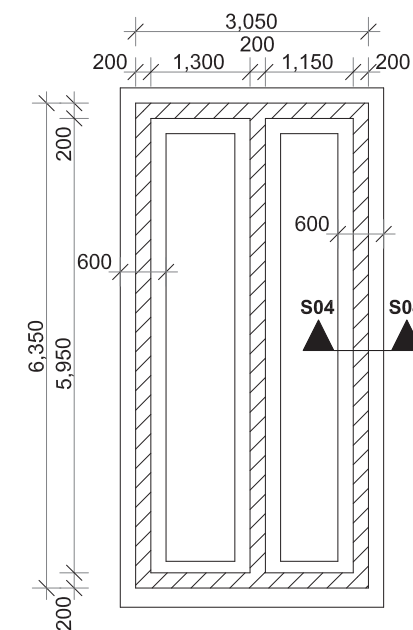
3 BOYS' TOILET - REAR ELEVATION
Scale 1:100



4 BOYS' TOILET - SIDE ELEVATION
Scale 1:100



5 BOYS' TOILET ROOF FRAMING PLAN
SCALE 1:100



6 BOYS' TOILET FOUNDATION PLAN
SCALE 1:100



Project Title
GPE Flood Respond

Drawing Title
Construction of four stances and disability toilet for Boys

Check by:
Office of physical Planning & Construction, MoGEI

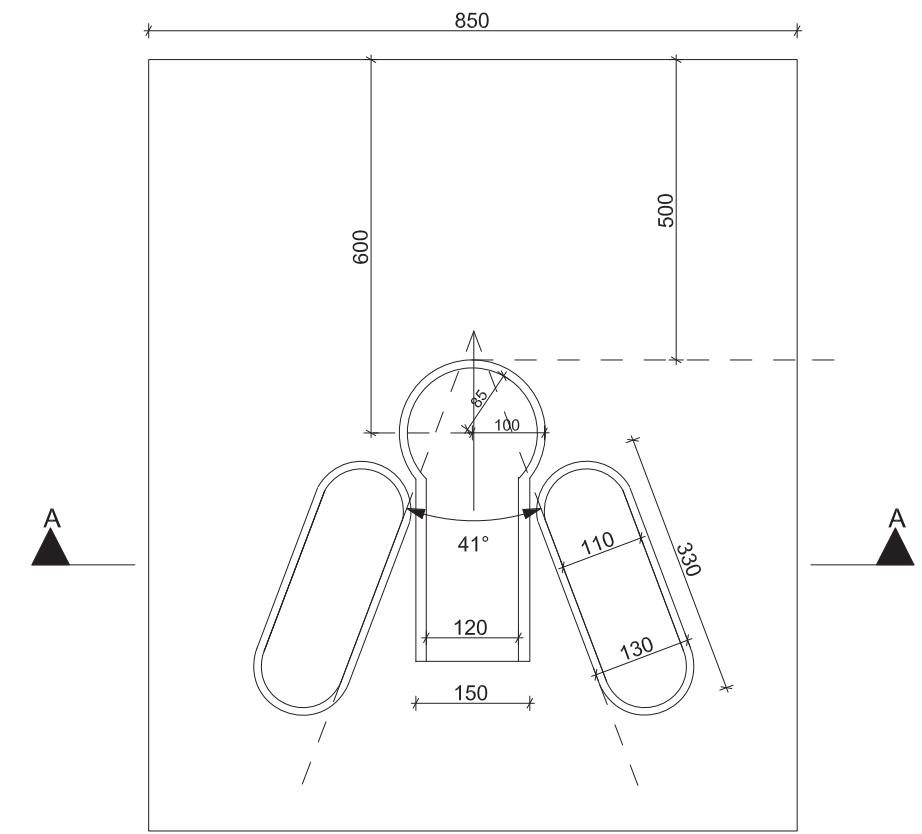
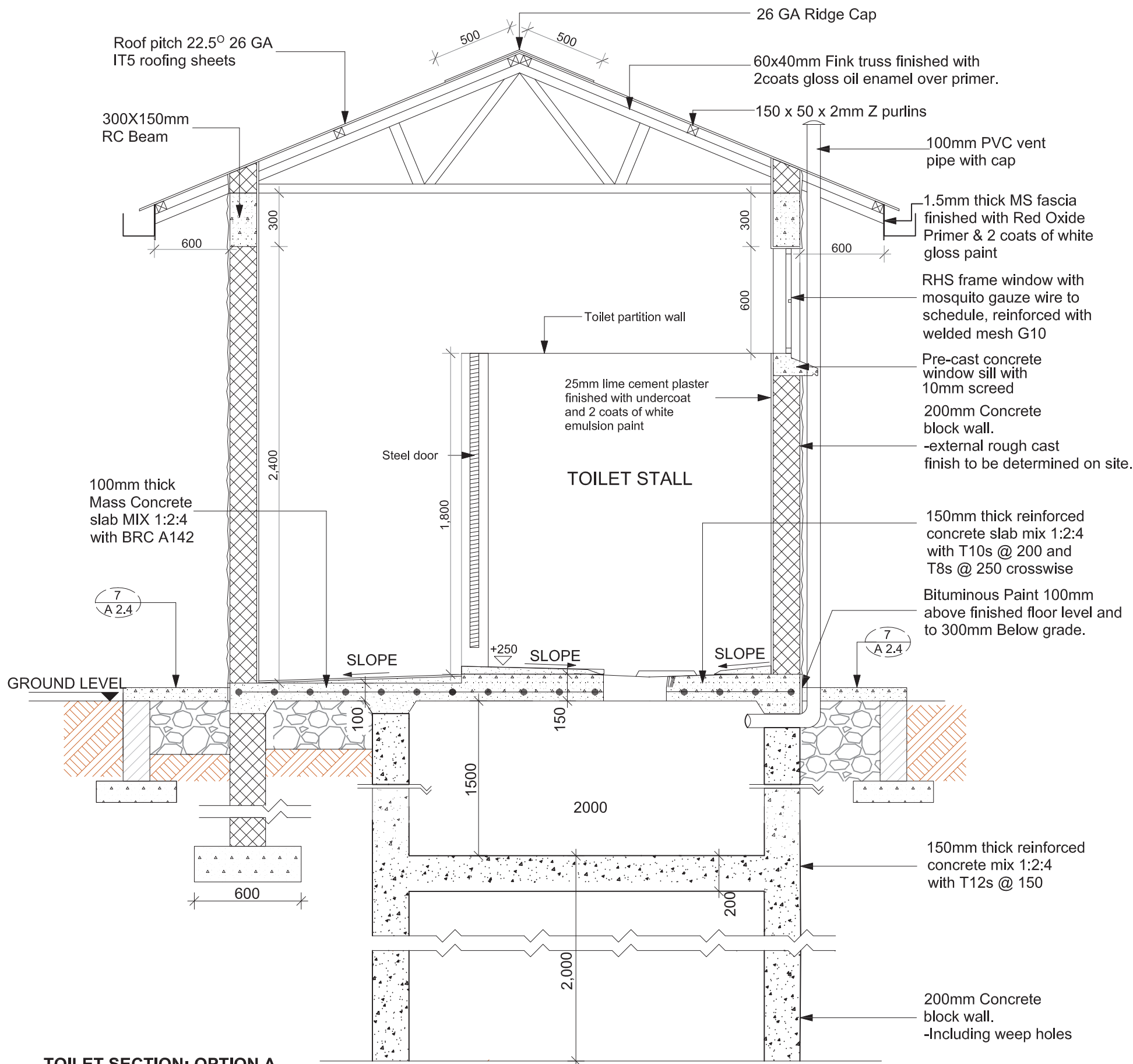
Approved by:
Ministry of Housing & Planning

Revision			
No	Date	Description	By

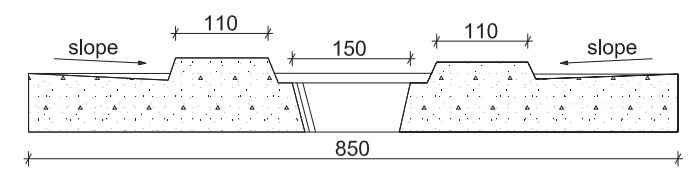
Date
08/05/2023
Scale

Drawn by
Ojja C.
Checked by
James O

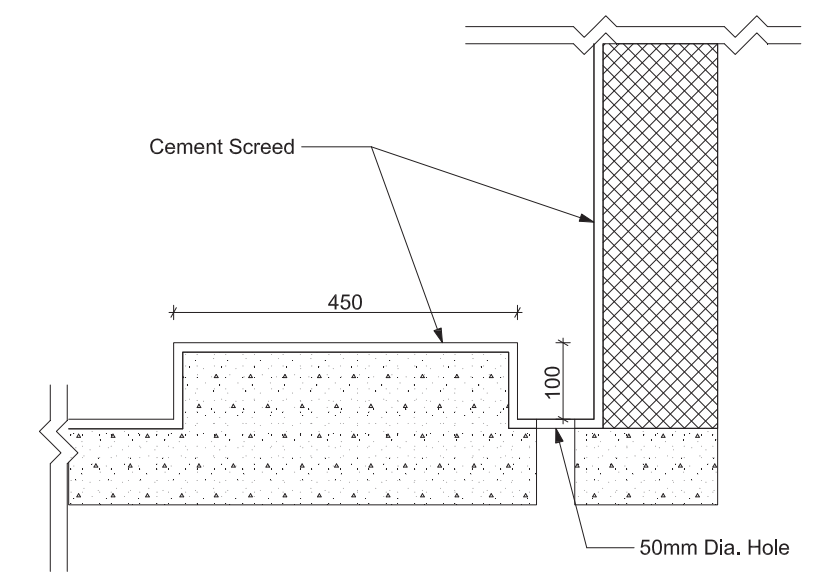
Project No
Drawing No 01
Revision



2 TOILET FLOOR DETAIL
SCALE 1:10



3 SECTION A-A
SCALE 1:10



4 URINAL DETAIL
SCALE 1:20

1 TOILET SECTION: OPTION A
Simple drop pit



Project Title
GPE Flood Respond

Drawing Title
Construction of four stances and disability toilet for Boys

Check by:
Office of physical Planning & Construction, MoGEI

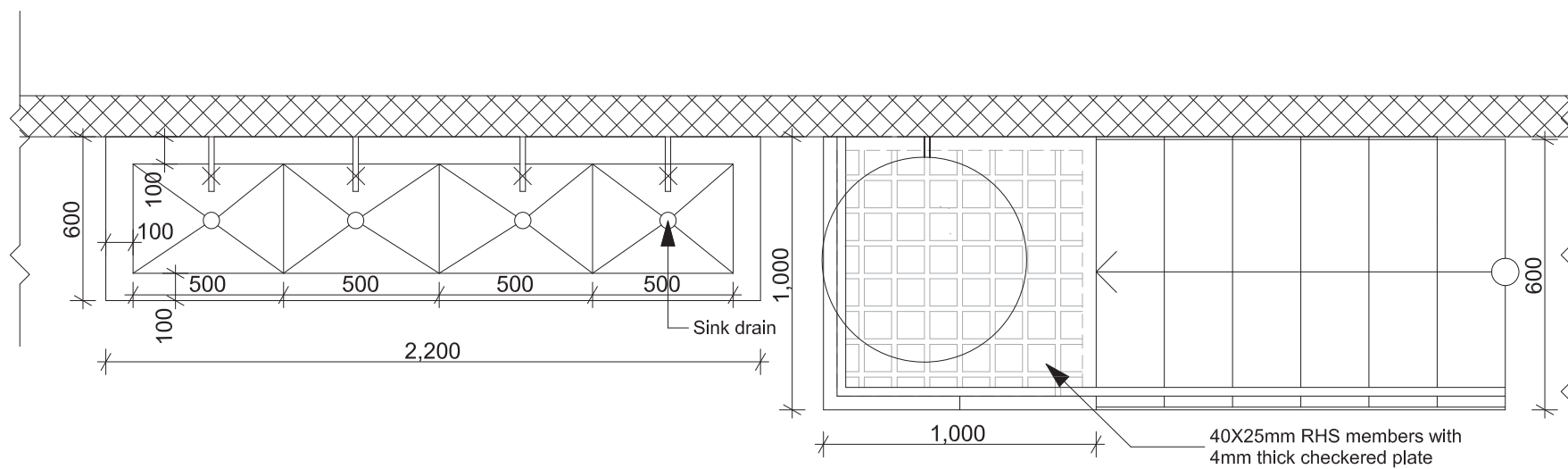
Approved by:
Ministry of Housing & Planning

Revision			Date	Drawn by	Project No	
No	Date	Description	By	08/05/2023	Ojja C.	Drawing No

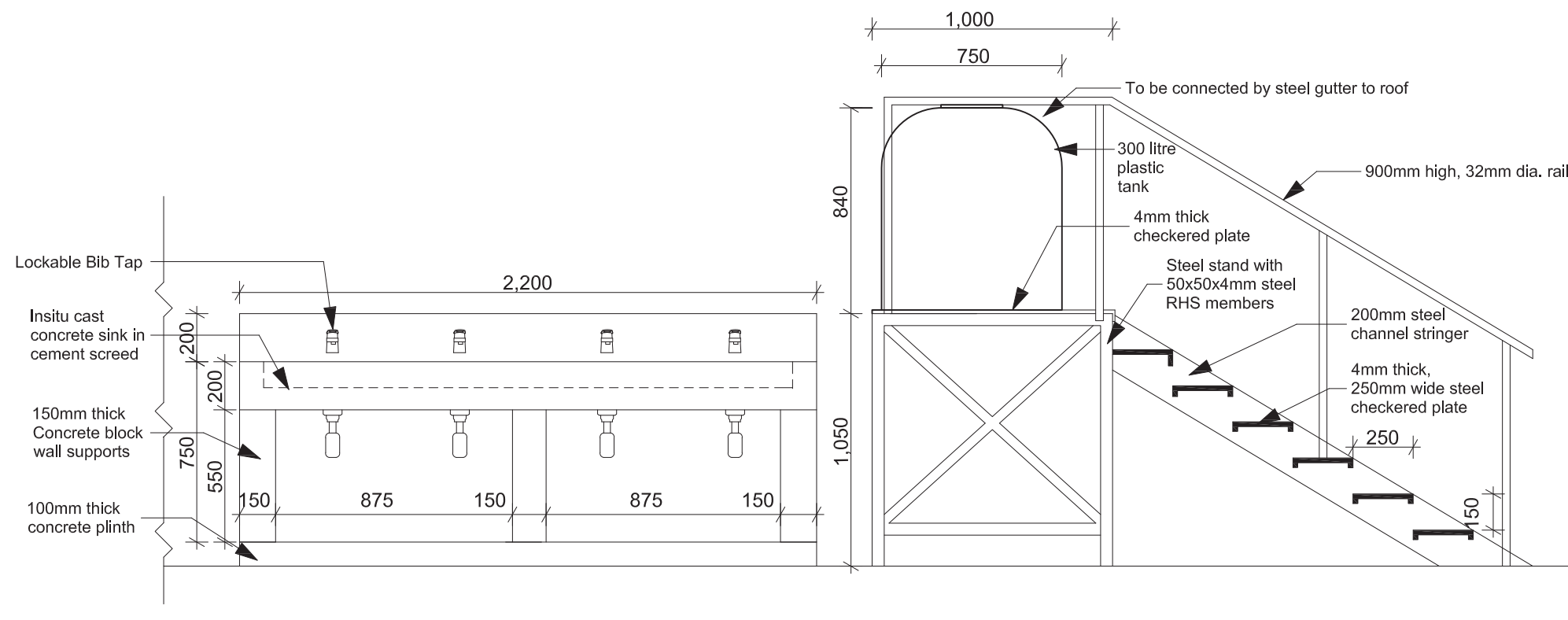
Scale
01

Checked by
James O

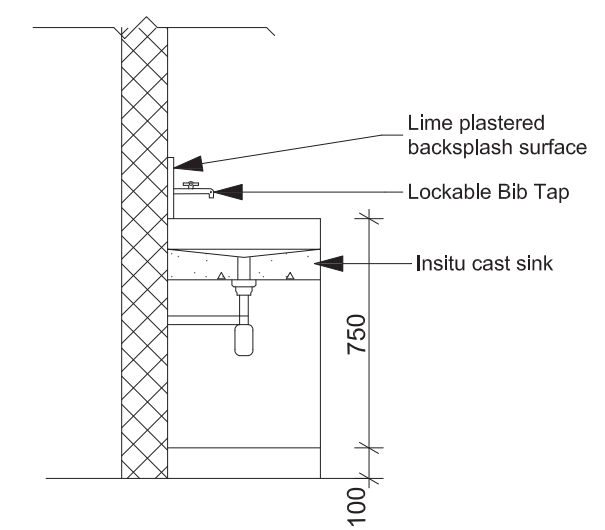
Revision
01



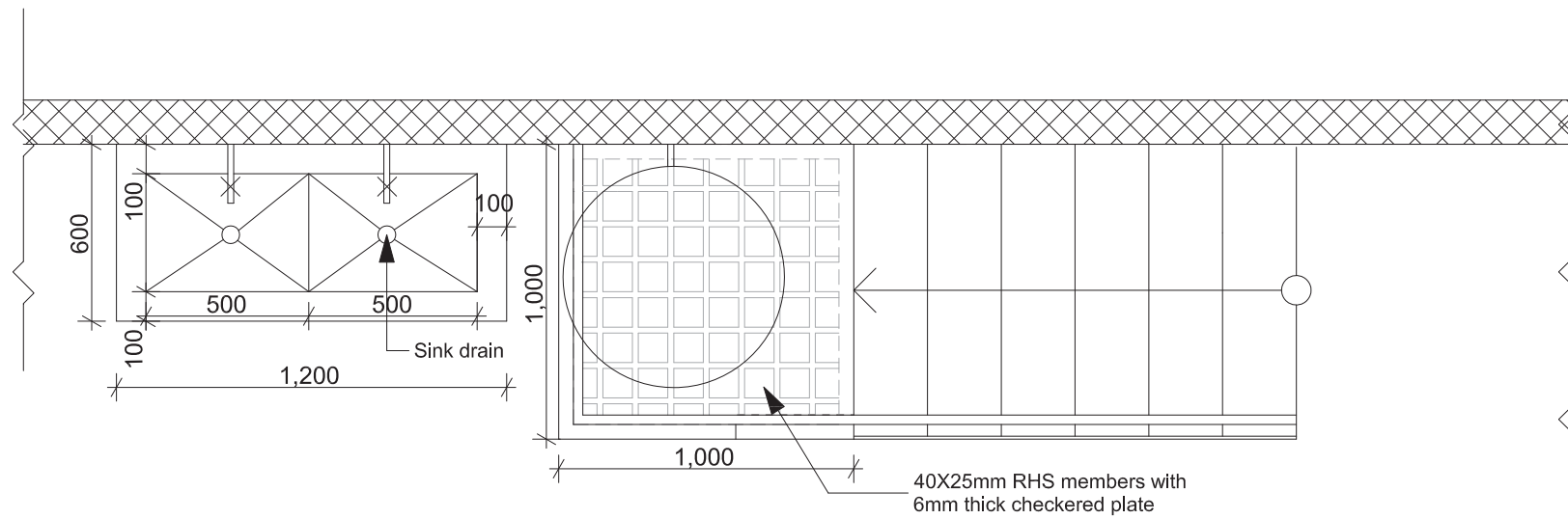
1 **SINK & WATER TANK PLAN (STUDENTS' TOILETS)**
Scale 1:25



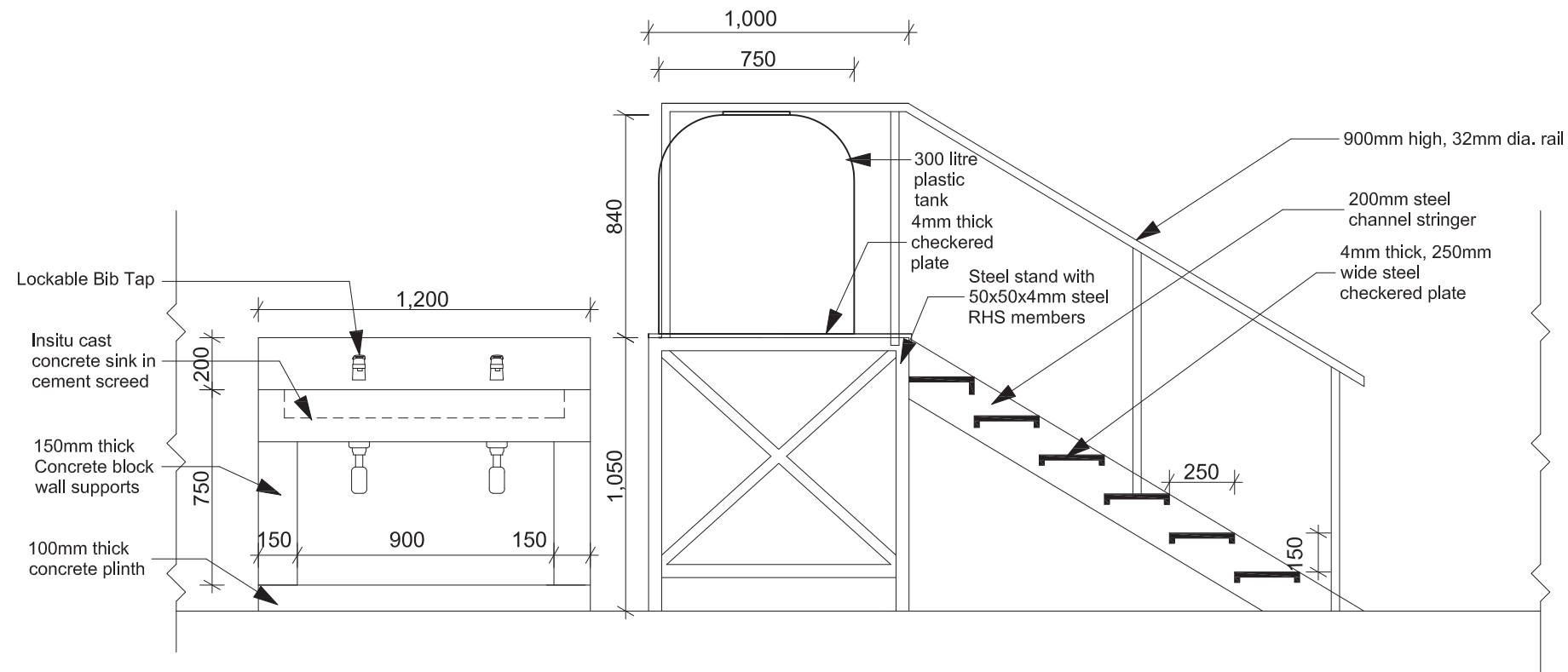
2 **SINK & WATER TANK ELEVATION (STUDENTS' TOILETS)**
Scale 1:25



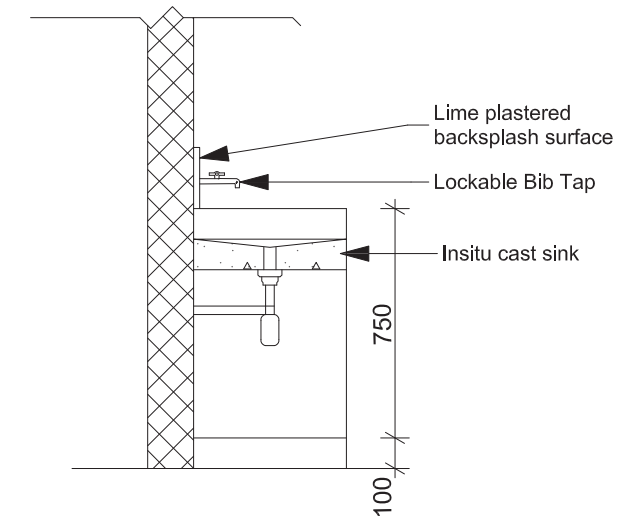
3 **SINK SECTION**
Scale 1:25



1 **SINK & WATER TANK PLAN (TEACHERS' TOILETS)**
Scale 1:25



2 **SINK & WATER TANK ELEVATION (TEACHERS' TOILETS)**
Scale 1:25



3 **SINK SECTION**
Scale 1:25