



TENDER FOR REHABILITATION OF DRIP IRRIGATION SYSTEMS, REF. NO. CANADA MARCH  
2021 PR# 1907

## **BACKGROUND/INTRODUCTION**

Islamic Relief is an independent humanitarian and development UK based organization, with an active presence in over 40 Countries across the globe, we strive to make the world a better and fairer place for people still living in poverty. Islamic relief began its humanitarian operation in South Sudan in 2004 focusing on providing lifesaving aid and implementing developmental Programmes to support people affected by flood, drought and Conflict establishing three sub offices in Narus (Kapoeta East), Wau, Warrap. A satellite office in Yei and Main office in Juba.

### **Our vision:**

Inspired by our Islamic faith and guided by our values, we envisage a caring world where communities are empowered, social obligations are fulfilled and people respond as one to the suffering of others.

### **Our mission:**

Exemplifying our Islamic values, we will mobilize resources, build partnerships, and develop local capacity, as we work to:

Enable communities to mitigate the effect of disasters, prepare for their occurrence and respond by providing relief, protection and recovery.

Promote integrated development and environmental custodianship with a focus on sustainable livelihoods.

Support the marginalized and vulnerable to voice their needs and address root causes of poverty.

We allocate these resources regardless of race, political affiliation, gender or belief, and without expecting anything in return.

## **INTRODUCTION**

Through this project, Islamic Relief is implementing a project “Promoting Gender equality and resilience livelihood in South Sudan (PROGRESS)”. IRSS intends to improve access to food security and promote gender equality and resilience in food production for the affected rural communities of Kapoeta East County by rehabilitating two (2) drip irrigation systems.

With funding from IR Canada, IRSS is currently implementing a resilience building project for rural communities in Kapoeta East County.

Furthermore, the intervention will give due attention to Protection and Inclusion related matters, based on its elaborated policy on Prevention of Sexual Exploitation and Abuse (PSEA).

The Overall Goal: The objective of the project is to improve access to food security and promote gender equality and resilience in food production for the affected rural communities of Kapoeta East County.

These rehabilitations of drip irrigation systems, REF. NO. CANADA MARCH 2021 PR# 1907 is IRSS’s Canada funded project intended to improve access to food security and promote gender equality and resilience in food production for the affected rural communities of Kapoeta East County.

**1. Scope of Work :**

The planned rehabilitation work is expected to take place in two sites listed below. The work includes as stipulated in detail in the bill of quantities. Rehabilitation of drip main lines, involves Installation of new 2” HDPE manifold, 2” HDPE main lines. Rehabilitation of drip laterals (pipes), involves laying to specific locations 16mm drip lines, according to spacing provided in the technical drawing, each drip pipe is completed with mini valves and punched emitter holes to the prescribed spacing. 2” gate valves will be fitted in each main line. 1” PE pipes from well head to the tank in let shall be replaced with new 1” 10.00m long PE pipes. 1” dia. 30.00m long pipe is to be connected from the main line, to deliver water from the main line to designated water trough. Replacement of some gate vales, repair work on electrical wires. Establishment of concrete water trough for livestock. Improvement work on the well heads, that entails fixing of new well head covers, fixing of one missing solar panel and replacement of control unit (CU) for Loolim.

The work will involve:

**APPENDIX 1 BILL OF QUANTITIES**

**Bidder is required to stamp this document with their legal company stamp no bid will be accepted without a genuine company stamp**

| <b>BILL OF QUANTITIES NO (1) : LOPUA DRIP IRRIGATION SYSTEM</b> |   |     |        |  |  |
|---|---|-----|--------|--|--|
| 01  | Rehabilitation main line-supply and install in positions as provided in the technical drawings, 2” HDPE line connecting from the out-let from the tank to the manifold, 5.00m long, complete with various fittings, 2” elbows 2no, 2” Tee-joint 02 no, 2” sockets 6 no etc. | 1   | Unit   |  |  |
| 02  | Rehabilitate main line-supply and install into positions as provided in the   | 100 | Meters |  |  |

|    |  |       |        |  |  |
|----|--|-------|--------|--|--|
|    | <p>technical drawings 2" HDPE main line, two lines connected from the manifold and running parallel to each other 50.00m long each.</p> <p>Provide and fix in positions 2" gate valves on each main line, complete with necessary fittings</p> | 02    | Pieces |  |  |
| 03 | <p>Rehabilitate drip lines- Supply and install in position as provided in the technical drawings, 20.00m long each drip line on both mains, at 0.60m spacing from each other. 83 drip lines x 2 sides = 166 drip pipes.</p>                    | 3,320 | Meters |  |  |
| 04 | <p>Rehabilitate mini valves - supply and install to each drip line, 16mm mini valve</p>  | 166   | Pieces |  |  |
| 05 | <p>Rehabilitate gate valves- provide and fix in position 2" gate valve, fix to out-let pipe from the tank.</p>   | 01    | Piece  |  |  |
| 06 | <p>Provide and install in position 1" PE pipe from the well head to tank in-inlet, complete with necessary fittings. Including provision of 7" dia. Well head cover, to replace the clamps.</p>  | 14.00 | Meters |  |  |
| 07 | <p>Provide and allow for fixing new screen filter 150-200 mesh</p>   | 01    | Piece  |  |  |
| 08 | <p>Extension new pipe line- Provide and allow for excavation, laying, back filling of 1" PVC pipe, connected from 2" main to</p>   | 30.00 | meters |  |  |

|   |   |      |                |  |  |
|---|---|------|----------------|--|--|
|   | water trough. Allow for all necessary fittings at point of connection at the main line- T-joint, reducer 2"-1", sockets, unions, elbows, 1" gate valve in a 0.30mx0.30m manhole chamber. Provide and allow for fixing of a 1" floater valve in the designated chamber.  |      |                |  |  |
| 09  | <p>Provide and allow for construction of water trough – 5.00m lengthx0.80m wide x 0.45m height and 0.10m thick wall.</p> <ul style="list-style-type: none"> <li>- R.C 1:2:4 concrete base 10 cm thick, reinforced to Y-12mm iron bar at 0.15m spacing</li> <li>- R.C. 1:1:2 concrete wall 10 cm thick, reinforced to Y-8mm iron bars at 0.08m spacing, well finished and cured at 21 days.</li> </ul> | 1.30 | M <sup>3</sup> |  |  |
|   |   | 0.90 | M <sup>3</sup> |  |  |
| 10  | Repair water stand tape- 1" PE pipe 1.00m long, 3/4 " water tape , fittings.  | 01   | No             |  |  |
| Sub total bill No (1)                                     |   |      |                |  |  |
| BILL OF QUANTITIES NO (2): LOOLIM DRIP IRRIGATION SYSTEM. |   |      |                |  |  |
| 01  | Rehabilitation main line-supply and install in positions as provided in the technical drawings, 2" HDPE line connecting from the out-let from the tank to the manifold, 5.00m long, complete with various fittings, 2" elbows 2no, 2" Tee-joint 02 no, 2" sockets 6 no etc.   | 1    | Unit           |  |  |

|    |  |       |        |  |  |
|----|--|-------|--------|--|--|
|    |  |       |        |  |  |
|    |  |       |        |  |  |
| 02 | <p>Rehabilitate main line-supply and install into positions as provided in the technical drawings 2" HDPE main line, two lines connected from the manifold and running parallel to each other 50.00m long each.</p> <p>Provide and fix in positions 2" gate valves on each main line, complete with necessary fittings</p> | 100   | Meters |  |  |
|    |  | 02    | Pieces |  |  |
|    |  |       |        |  |  |
| 03 | <p>Rehabilitate drip lines-Supply and install in position as provided in the technical drawings, 20.00m long each drip line on both mains, at 0.60m spacing from each other. 83 drip lines x 2 sides = 166 drip pipes.</p>   | 3,320 | Meters |  |  |
|    |  |       |        |  |  |
| 04 | <p>Rehabilitate mini valves - supply and install to each drip line, 16mm mini valve</p>  | 166   | Pieces |  |  |
| 05 | <p>Rehabilitate gate valves-provide and fix in position 2" G.I. gate valve, to out-let pipe from the tank.</p>   | 01    | Piece  |  |  |
|    |  |       |        |  |  |
| 06 | <p>Provide and install in position 1" PE pipe from the well head to tank in-inlet, complete with necessary fittings, including provision of new 7" dia. well head cover, to replace the clamps.</p>  | 14.00 | Meters |  |  |

|    |   |       |                |  |  |
|----|---|-------|----------------|--|--|
| 07 | Provide and allow for fixing new screen filter 150-200 mesh   | 01    | Piece          |  |  |
| 08 | Extension new pipe line- Provide and allow for excavation, laying , back filling of 1" PVC pipe, connected from 2" main to water trough. Allow for all necessary fittings at point of connection at the main line- T-joint, reducer 2"-1", sockets, unions, elbows, 1" gate valve in a 0.30mx0.30m manhole chamber. Provide and allow for fixing of a 1" floater valve in the designated chamber. | 30.00 | meters         |  |  |
| 09 | Provide and allow for construction of water trough – 5.00m lengthx0.80m wide x 0.45m height and 0.10m thick wall.<br><ul style="list-style-type: none"> <li>- R.C 1:2:4 concrete base 10 cm thick, reinforced to Y-12mm iron bar at 0.15m spacing</li> <li>- R.C. 1:1:2 concrete wall 10 cm thick, reinforced to Y-8mm iron bars at 0.08m spacing, well finished and cured at 21 days.</li> </ul> | 1.30  | M <sup>3</sup> |  |  |
|    |   | 0.90  | M <sup>3</sup> |  |  |
| 10 | Repair water stand tape- 1" PE pipe 1.00m long, 3/4 " water tape , fittings.  | 01    | No             |  |  |
| 11 | Provide and fix into position solar panel 12 volts  | 01    | No             |  |  |
| 12 | Provide and allow for re wiring of cable from submersible pump to control unit(CU)  | 120   | meters         |  |  |

|    |   |    |    |     |  |
|----|---|----|----|-----|--|
| 13 | Provide and allow for re-wiring work from solar panels to control unit. |    |    |     |  |
| 14 | Provide and allow for fixing new control unit (CU) grandfos CU 200      | 01 | No |     |  |
|    | Subtotal (2)  |    |    |     |  |
|    | Grand total = Subtotal(1)+(2)   |    |    | USD |  |

## PROJECT SITES

| Case  | Delivery Destination |               |       |                                    |
|---|----------------------|---------------|-------|------------------------------------|
| Supplier must have export permission or be able to supply locally from South Sudan. | S/no                 | Location/site | Payam | Estimated Distance from the canter |
|   | 01                   | Lopua         | Narus | 18 kilometres                      |
|   | 02                   | Loolim        | Narus | 22 Kilometres                      |

All tenders are required to be submitted before **MONDAY 12<sup>th</sup> APRIL 2021, 4.00 pm Local time** pursuant to the attached guidelines for submitting a quotation and be returned to; **HAND DELIVERY TO IRSS TENDER BOX** upon registration on the bid receipt form.

For any issues relating to the tender or its contents please email directly to; [IRSS.Tender@islamic-relief.or.ke](mailto:IRSS.Tender@islamic-relief.or.ke)

### Summary of Bid Prices

## APPENDIX 2 SUMMARY OF BID PRICES

| No. | Description                                  | Total Price in USD (\$) |
|-----|--|-------------------------|
| 1   | Grand Total Bid Price                        |                         |
| 2   | Discount Ratio (if any) ... % and the amount |                         |
| 3   | Grand Total after Discount                   |                         |
| 4   | Delivery time scales (in days)               |                         |

We have carefully checked and examined all bid documents and we are offering the costs above on a fixed basis and they are not subject to any changes or alterations including those due to currency fluctuations.

Total Price **USD (\$)**

In words

Bidder's Signature

[ \_\_\_\_\_ ]

Stamp

Date



Please also use our table when filling the prices. If you do not have the item just keep it empty. Your offer should be for the quantity that we request, not less and not more.

Please only use USD (\$) as the currency for your offers as per the guidelines.

## EVALUATION OF QUOTATIONS

1. The proposal of the quotation provider must meet the required quality standards as detailed in this documentation.

2. The proposal of the quotation provider will be assessed using some weighted evaluation criteria of which is subject to change at any time but the following criteria used in previous similar tenders maybe useful:

Please ensure documentation trail below is followed the below sequence;

- a. Updated Company Profile with all registration certificates i.e. registration certificate, operation license, tax clearance/TIN (Maximum 30 pages)
- b. Evidence of previous awarded Contracts / Purchase Orders in similar trade
- c. Total value of contracts completed in similar trade
- d. Being sole distributor/has License of mentioned items will be added value
- e. Quality of proposal
- f. Delivery timelines
- g. Delivery location
- h. Expertise and experience in the NGO sector or Islamic Relief Worldwide
- i. Duration of validity of quotation
- j. Company Bank statement for the last 03 months i.e. JAN, FEB and MARCH 2021.

NB. All above documents should be in the same sequence and divided by separators.

ANNEX I: DRIP IRRIGATION SAMPLE PHOTOS

More information on rehabilitation of drip irrigation system



A conventional well head cover is required to  
Replace the clamps, needed for all the two sites.

¾" Water tapes needed on the stand pipes 2 sites



This 2" gate valve need replacement with ball valves. Electrical wiring faulty needs replacement for  
For the 2 sites.

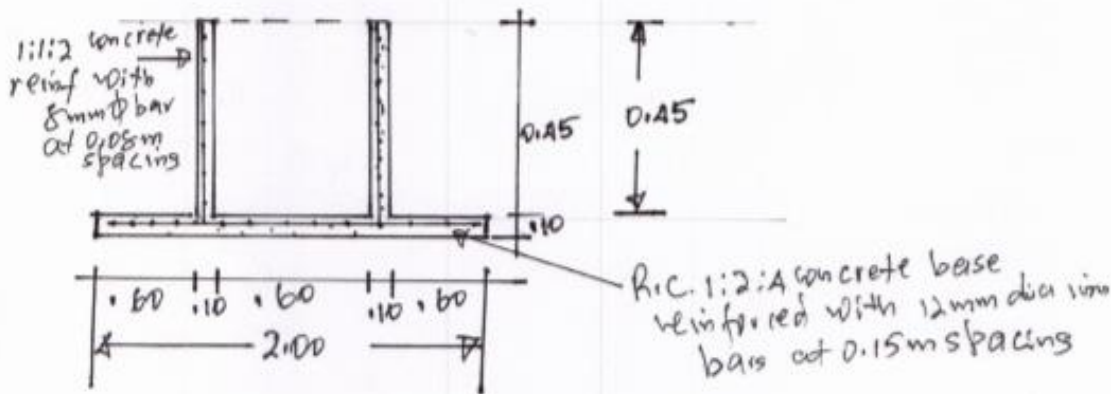
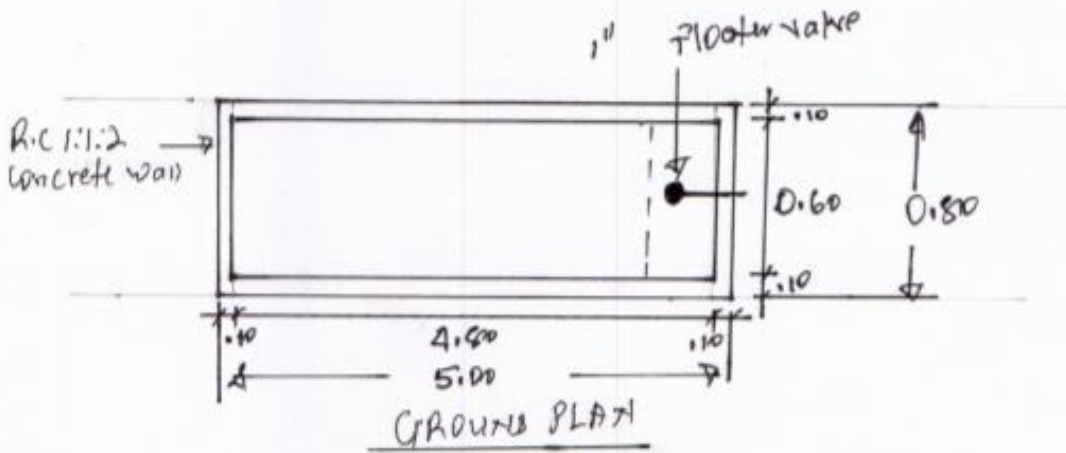
For Loolim only



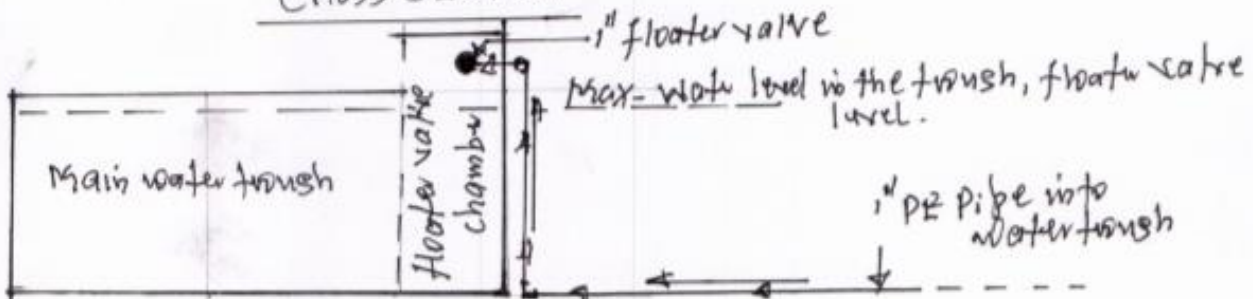
Screen filter need replacement for all 2 sites.

Reference point of connection from tank outlet. To  
The manifold and to the new pipe- line for leading  
To the water troughs.

# SKETCH DRAWING - WATER TROUGH

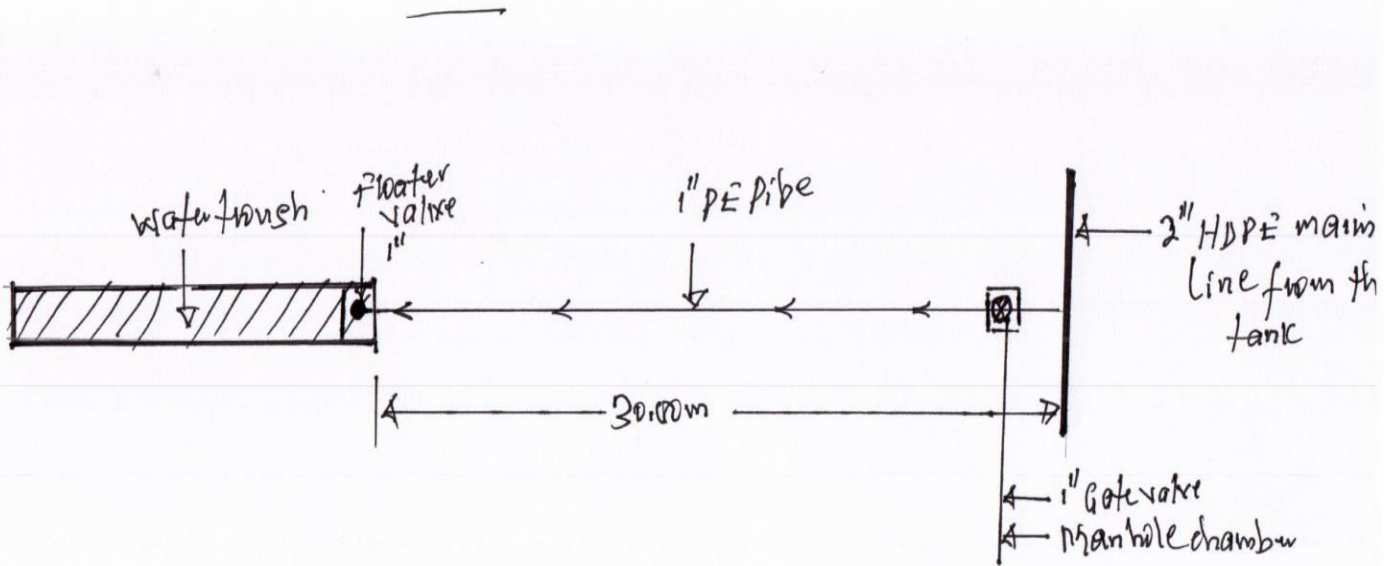


## CROSS-SECTION



ANNEX III: ESTABLISHMENT NEW PIPE LINE FROM THE TANK TO THE WATER TROUGH

SKETCH DRAWING - Establishing new pipe line from tank-outlet to water trough



SAMPLE WATER TROUGH



## DRIP IRRIGATION SYSTEM -LAYOUT 2021

