

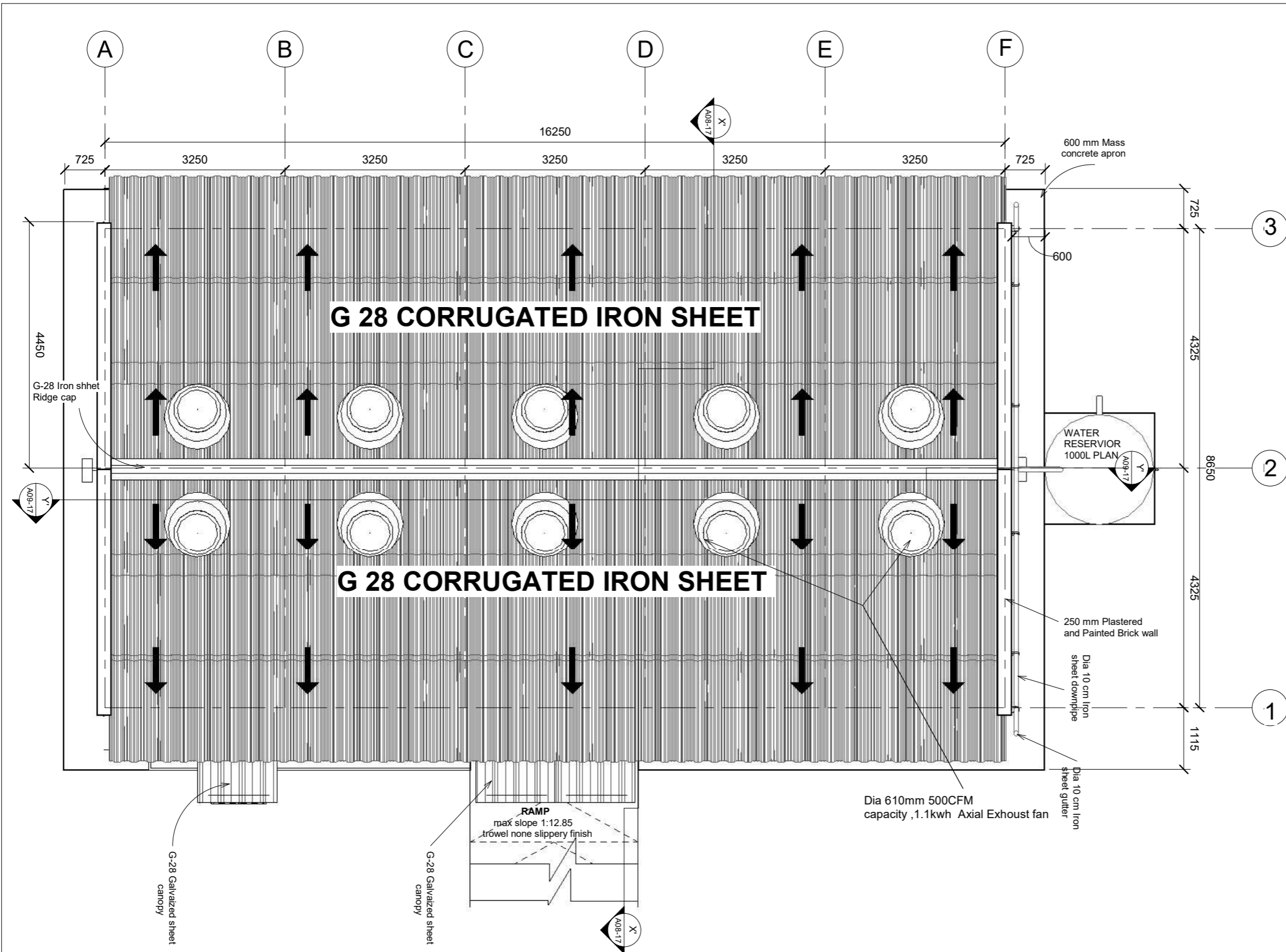
**GENERAL NOTES**

- 1, ALL DIMENSIONS ARE IN MILLIMETERS UNLESS OTHERWISE STATED.
- 2, ALL DIMENSIONS TO BE CHECKED AND CONFIRMED ON SITE BEFORE COMMENCEMENT OF ANY WORK.
- 3, WRITTEN DIMENSIONS OVERRIDES SCALED DIMENSIONS, THUS ALL DIMENSIONS ARE TO BE READ AND NOT AT ANY TIME SCALED FROM THE DRAWING.
- 4, ANY DISCREPANCY TO BE REPORTED TO THE ACTED SITE ENGINEER/ PROJECT MANAGER PROMPTLY BEFORE PROCEEDING.

No.	Description	Date

Design Status	<b>WORKING DRAWING</b>	
Client	<b>ACTED SOUTH SUDAN</b>	
Consultant	<b>LADDER ENGINEERING AND GENERAL TRADING CO. LTD</b>	
Project Name	<b>600 MT WAREHOUSE</b>	
Location	<b>BABADI, IBBA COUNTY, WESTERN EQUATORIAL, SOUTH SUDAN</b>	
Drawing Title	<b>SITE PLAN</b>	
Design & Drawing By	<b>LADDER ENGINEERING</b>	Date <b>10/22/22</b>
Checked and Approved By.		Date
Scale	<b>AS SHOWN</b>	
Layout ID.	<b>A01-17</b>	Revision

**SITE MAP**  
SCALE 1:1000



# ROOF PLAN

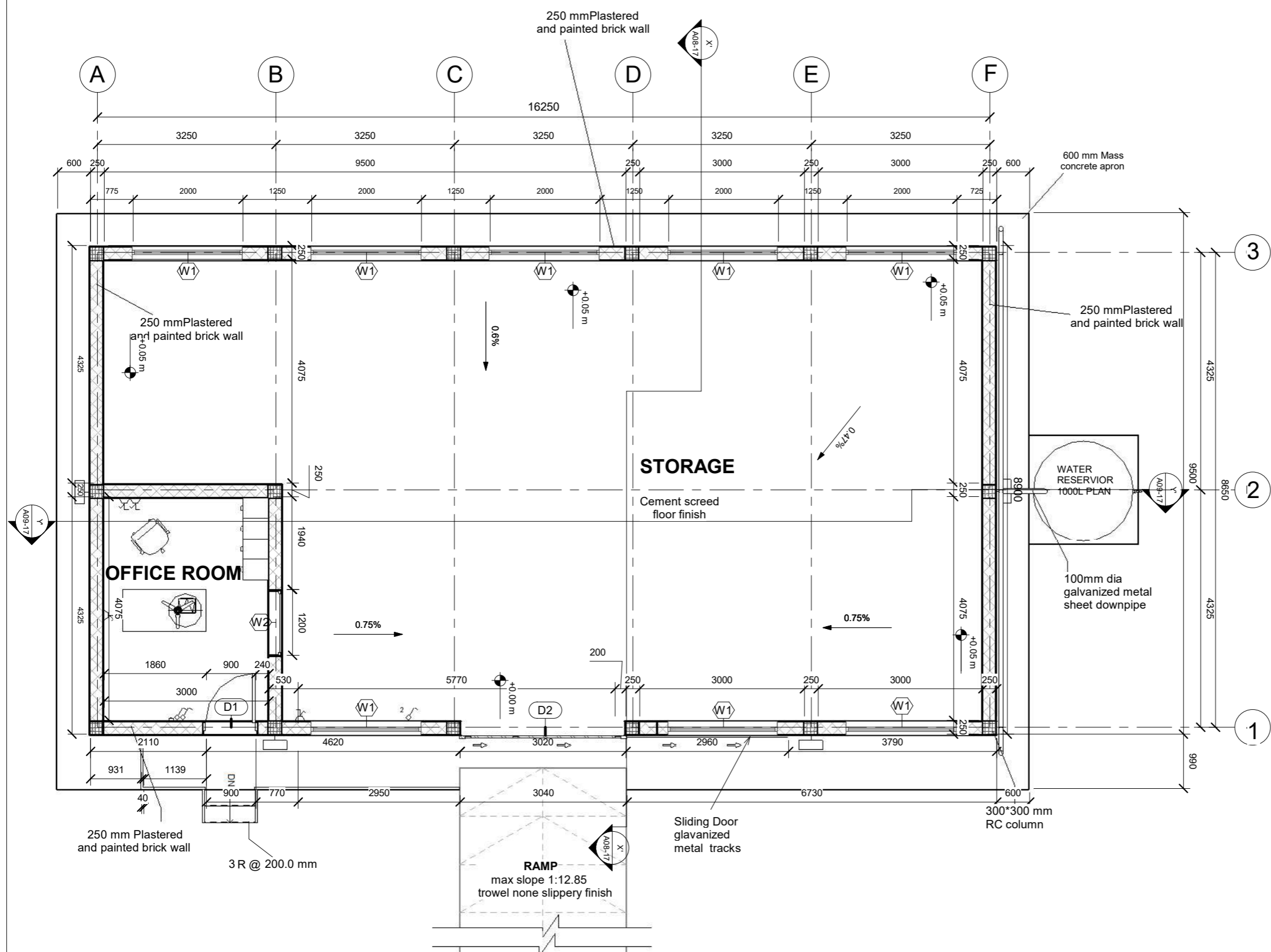
Scale 1 : 50

### GENERAL NOTES

1. ALL DIMENSIONS ARE IN MILLIMETERS UNLESS OTHERWISE STATED.
2. ALL DIMENSIONS TO BE CHECKED AND CONFIRMED ON SITE BEFORE COMMENCEMENT OF ANY WORK.
3. WRITTEN DIMENSIONS OVERRIDES SCALED DIMENSIONS, THUS ALL DIMENSIONS ARE TO BE READ AND NOT AT ANY TIME SCALED FROM THE DRAWING.
4. ANY DISCREPANCY TO BE REPORTED TO THE ACTED SITE ENGINEER/ PROJECT MANAGER PROMPTLY BEFORE PROCEEDING.

No.	Description	Date

Design Status	<b>WORKING DRAWING</b>	
Client	<b>ACTED SOUTH SUDAN</b>	
Consultant	<b>LADDER ENGINEERING AND GENERAL TRADING CO. LTD</b>	
Project Name	<b>600MT AGRO-WAREHOUSE</b>	
Location	<b>BABADI, IBBA COUNTY, WESTERN EQUATORIAL, SOUTH SUDAN</b>	
Drawing Title	<b>ROOF PLAN</b>	
Design & Drawing By	<b>LADDER ENGINEERING</b>	Date <b>10/17/22</b>
Checked and Approved By.		Date
Scale	<b>AS SHOWN</b>	
Layout ID.	<b>A02-17</b>	Revision



# GROUND FLOOR PLAN

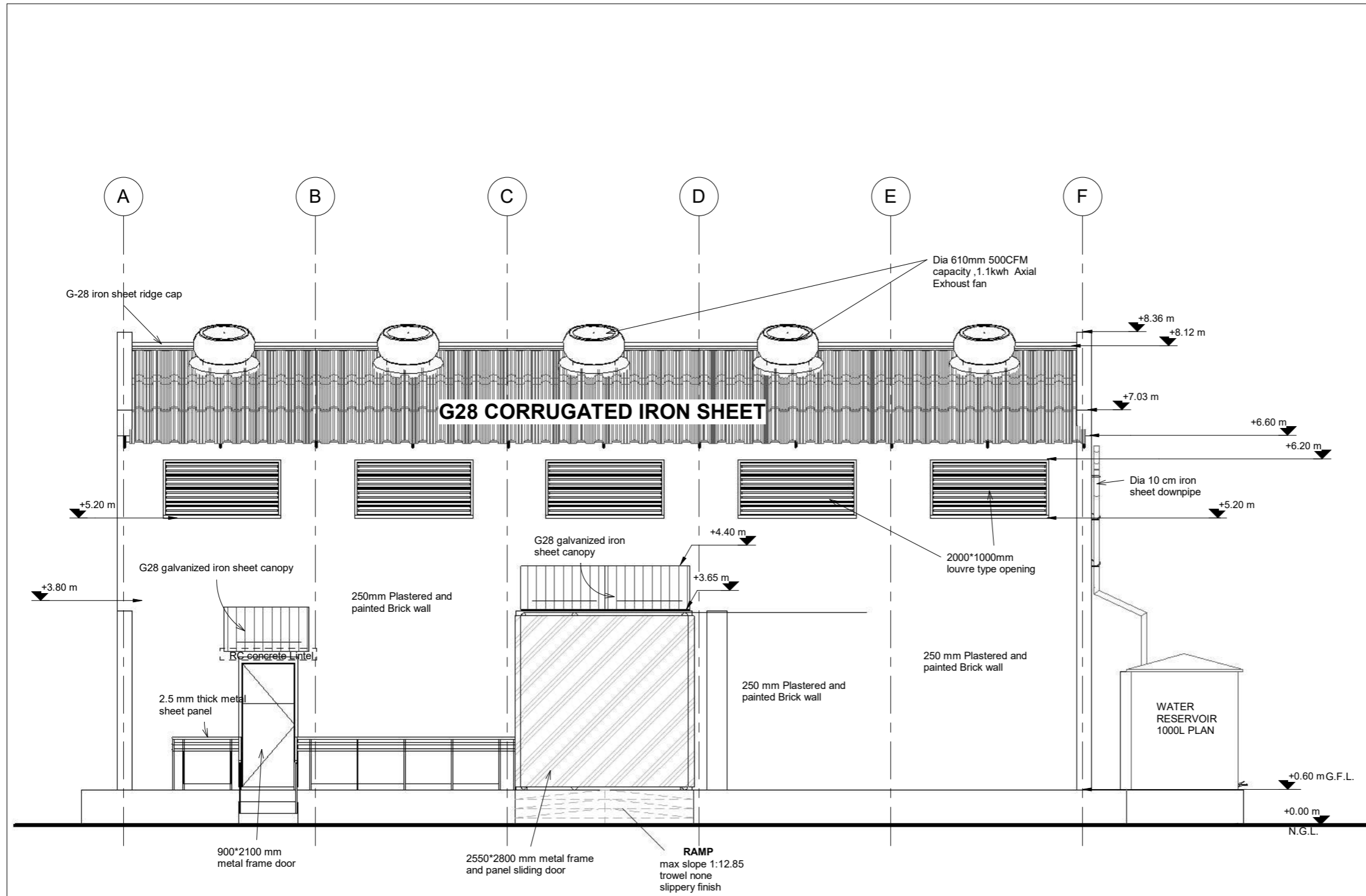
Scale 1 : 50

### GENERAL NOTES

1. ALL DIMENSIONS ARE IN MILLIMETERS UNLESS OTHERWISE STATED.
2. ALL DIMENSIONS TO BE CHECKED AND CONFIRMED ON SITE BEFORE COMMENCEMENT OF ANY WORK.
3. WRITTEN DIMENSIONS OVERRIDES SCALED DIMENSIONS, THUS ALL DIMENSIONS ARE TO BE READ AND NOT AT ANY TIME SCALED FROM THE DRAWING.
4. ANY DISCREPANCY TO BE REPORTED TO THE ACTED SITE ENGINEER/ PROJECT MANAGER PROMPTLY BEFORE PROCEEDING.

No.	Description	Date

Design Status	WORKING DRAWING	
Client	ACTED SOUTH SUDAN	
Consultant	LADDER ENGINEERING AND GENERAL TRADING CO. LTD	
Project Name	600MT AGRO-WAREHOUSE	
Location	BABADI, IBBA COUNTY, WESTERN EQUATORIAL, SOUTH SUDAN	
Drawing Title	GROUND FLOOR PLAN	
Design & Drawing By	LADDER ENGINEERING	Date 10/17/22
Checked and Approved By.		Date
Scale	AS SHOWN	
Layout ID.	A03-17	Revision



# FRONT ELEVATION

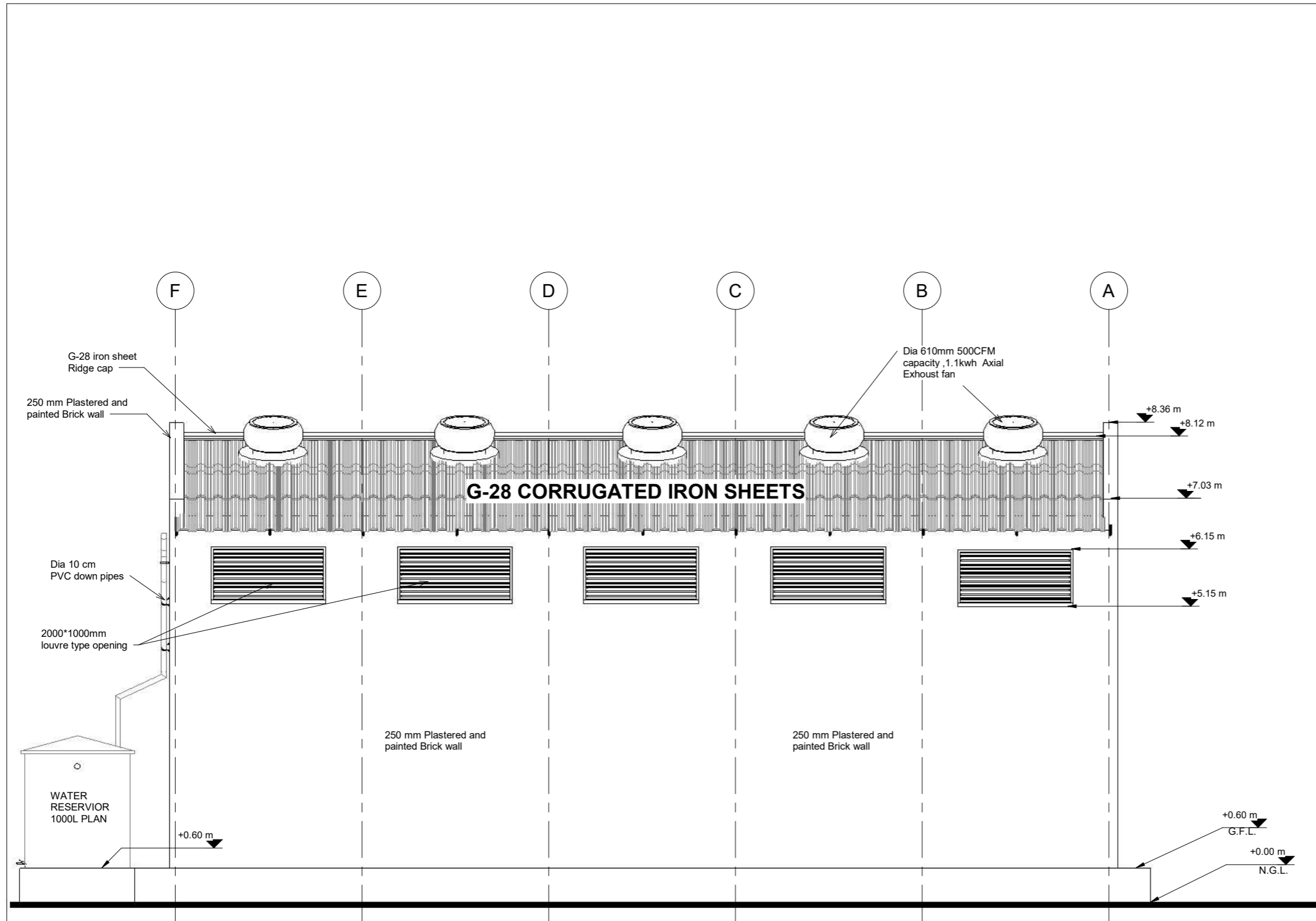
Scale 1 : 50

### GENERAL NOTES

- 1, ALL DIMENSIONS ARE IN MILLIMETERS UNLESS OTHERWISE STATED.
- 2, ALL DIMENSIONS TO BE CHECKED AND CONFIRMED ON SITE BEFORE COMMENCEMENT OF ANY WORK.
- 3, WRITTEN DIMENSIONS OVERRIDES SCALED DIMENSIONS, THUS ALL DIMENSIONS ARE TO BE READ AND NOT AT ANY TIME SCALED FROM THE DRAWING.
- 4, ANY DISCREPANCY TO BE REPORTED TO THE ACTED SITE ENGINEER/ PROJECT MANAGER PROMPTLY BEFORE PROCEEDING.

No.	Description	Date

Design Status	<b>WORKING DRAWING</b>	
Client	<b>ACTED SOUTH SUDAN</b>	
Consultant	<b>LADDER ENGINEERING AND GENERAL TRADING CO. LTD</b>	
Project Name	<b>600MT AGRO-WAREHOUSE</b>	
Location	<b>BABADI, IBBA COUNTY, WESTERN EQUATORIAL, SOUTH SUDAN</b>	
Drawing Title	<b>FRONT ELEVATION</b>	
Design & Drawing By	LADDER ENGINEERING	Date 11/16/22
Checked and Approved By.		Date
Scale	<b>AS SHOWN</b>	
Layout ID.	<b>A04-17</b>	Revision



## BACK-SIDE ELEVATION

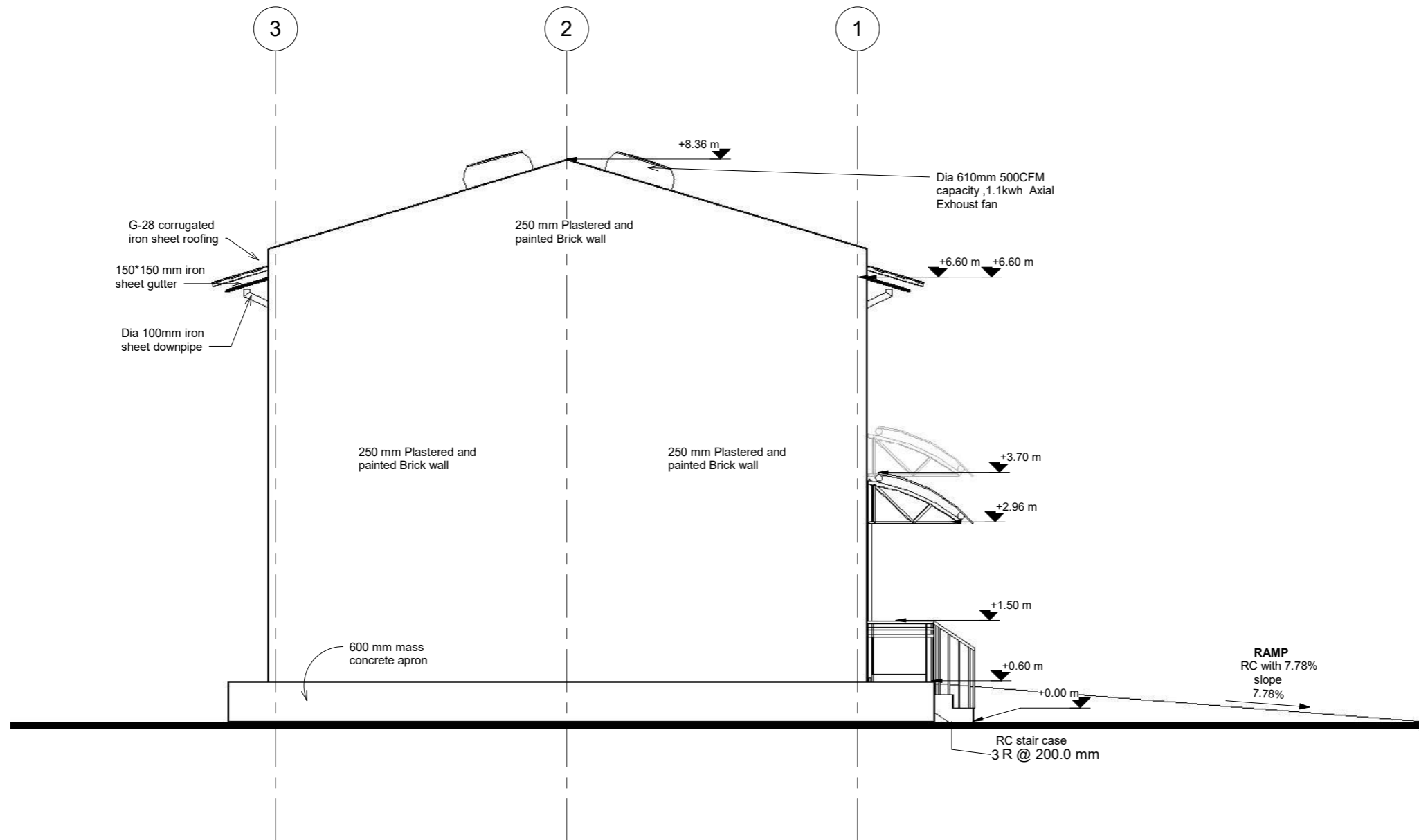
Scale 1 : 50

### GENERAL NOTES

- 1, ALL DIMENSIONS ARE IN MILLIMETERS UNLESS OTHERWISE STATED.
- 2, ALL DIMENSIONS TO BE CHECHED AND CONFIRMED ON SITE BEFORE COMMENCEMENT OF ANY WORK.
- 3, WRITTEN DIMENSIONS OVERRIDES SCALED DIMENSIONS, THUS ALL DIMENSIONS ARE TO BE READ AND NOT AT ANY TIME SCALED FROM THE DRAWING.
- 4, ANY DISCREPANCY TO BE REPORTED TO THE ACTED SITE ENGINEER/ PROJECT MANAGER PROMTLY BEFORE PROCEEDING.

No.	Description	Date

Design Status	<b>WORKING DRAWING</b>	
Client	<b>ACTED SOUTH SUDAN</b>	
Consultant	<b>LADDER ENGINEERING AND GENERAL TRADING CO. LTD</b>	
Project Name	<b>600MT AGRO-WAREHOUSE</b>	
Location	<b>BABADI, IBBA COUNTY, WESTERN EQUATORIAL, SOUTH SUDAN</b>	
Drawing Title	<b>BACK-SIDE ELEVATION</b>	
Design & Drawing By	LADDER ENGINEERING	Date 10/18/22
Checked and Approved By.		Date
Scale	<b>AS SHOWN</b>	
Layout ID.	A05-17	Revision



# LEFT-SIDE ELEVATION

Scale 1 : 50

### GENERAL NOTES

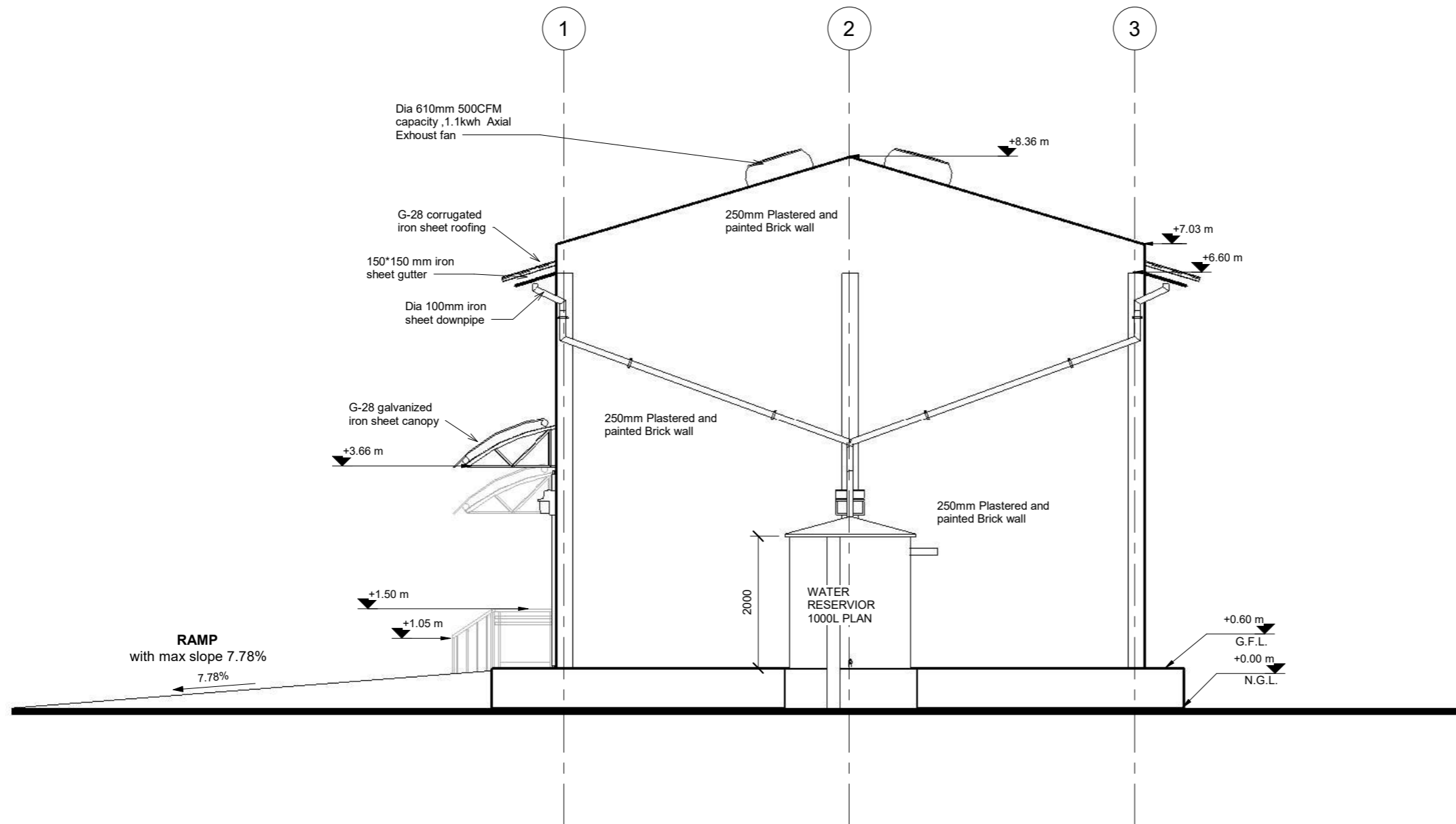
- 1, ALL DIMENSIONS ARE IN MILLIMETERS UNLESS OTHERWISE STATED.
- 2, ALL DIMENSIONS TO BE CHECHED AND CONFIRMED ON SITE BEFORE COMMENCEMENT OF ANY WORK.
- 3, WRITTEN DIMENSIONS OVERRIDES SCALED DIMENSIONS, THUS ALL DIMENSIONS ARE TO BE READ AND NOT AT ANY TIME SCALED FROM THE DRAWING.
- 4, ANY DISCREPANCY TO BE REPORTED TO THE ACTED SITE ENGINEER/ PROJECT MANAGER PROMTLY BEFORE PROCEEDING.

No.	Description	Date

Design Status	<b>WORKING DRAWING</b>	
Client	<b>ACTED SOUTH SUDAN</b>	
Consultant	<b>LADDER ENGINEERING AND GENERAL TRADING CO. LTD</b>	
Project Name	<b>600MT AGRO-WAREHOUSE</b>	
Location	<b>BABADI, IBBA COUNTY, WESTERN EQUATORIAL, SOUTH SUDAN</b>	
Drawing Title	<b>LEFT-SIDE ELEVATION</b>	
Design & Drawing By	<b>LADDER ENGINEERING</b>	Date <b>11/16/22</b>
Checked and Approved By.		Date
Scale	<b>AS SHOWN</b>	
Layout ID.	<b>A06-17</b>	Revision

**GENERAL NOTES**

- 1, ALL DIMENSIONS ARE IN MILLIMETERS UNLESS OTHERWISE STATED.
- 2, ALL DIMENSIONS TO BE CHECKED AND CONFIRMED ON SITE BEFORE COMMENCEMENT OF ANY WORK.
- 3, WRITTEN DIMENSIONS OVERRIDES SCALED DIMENSIONS, THUS ALL DIMENSIONS ARE TO BE READ AND NOT AT ANY TIME SCALED FROM THE DRAWING.
- 4, ANY DISCREPANCY TO BE REPORTED TO THE ACTED SITE ENGINEER/ PROJECT MANAGER PROMPTLY BEFORE PROCEEDING.

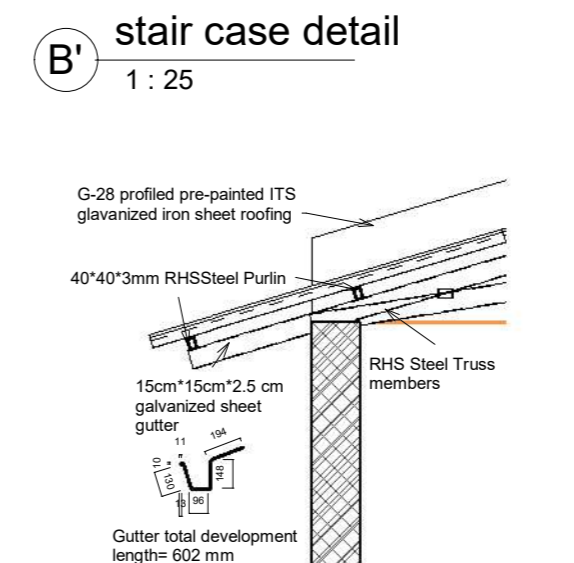
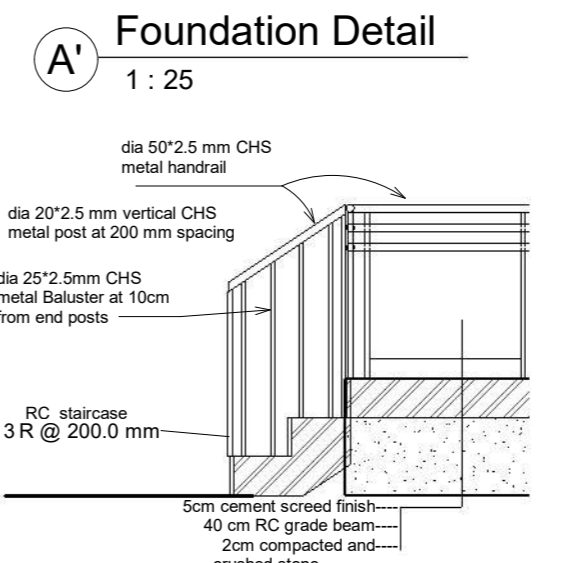
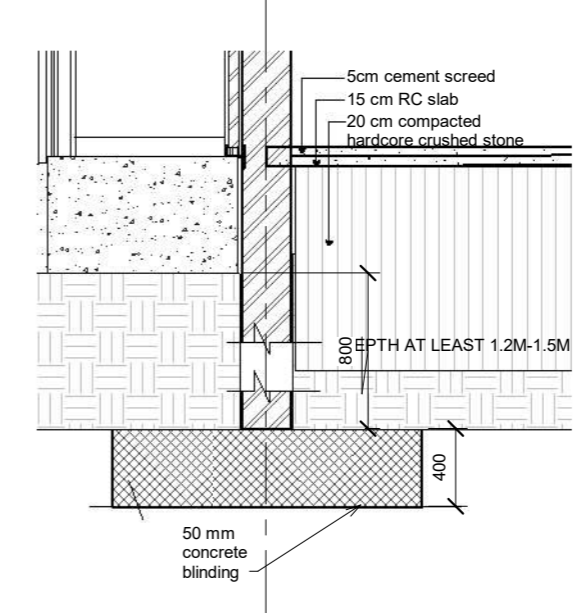
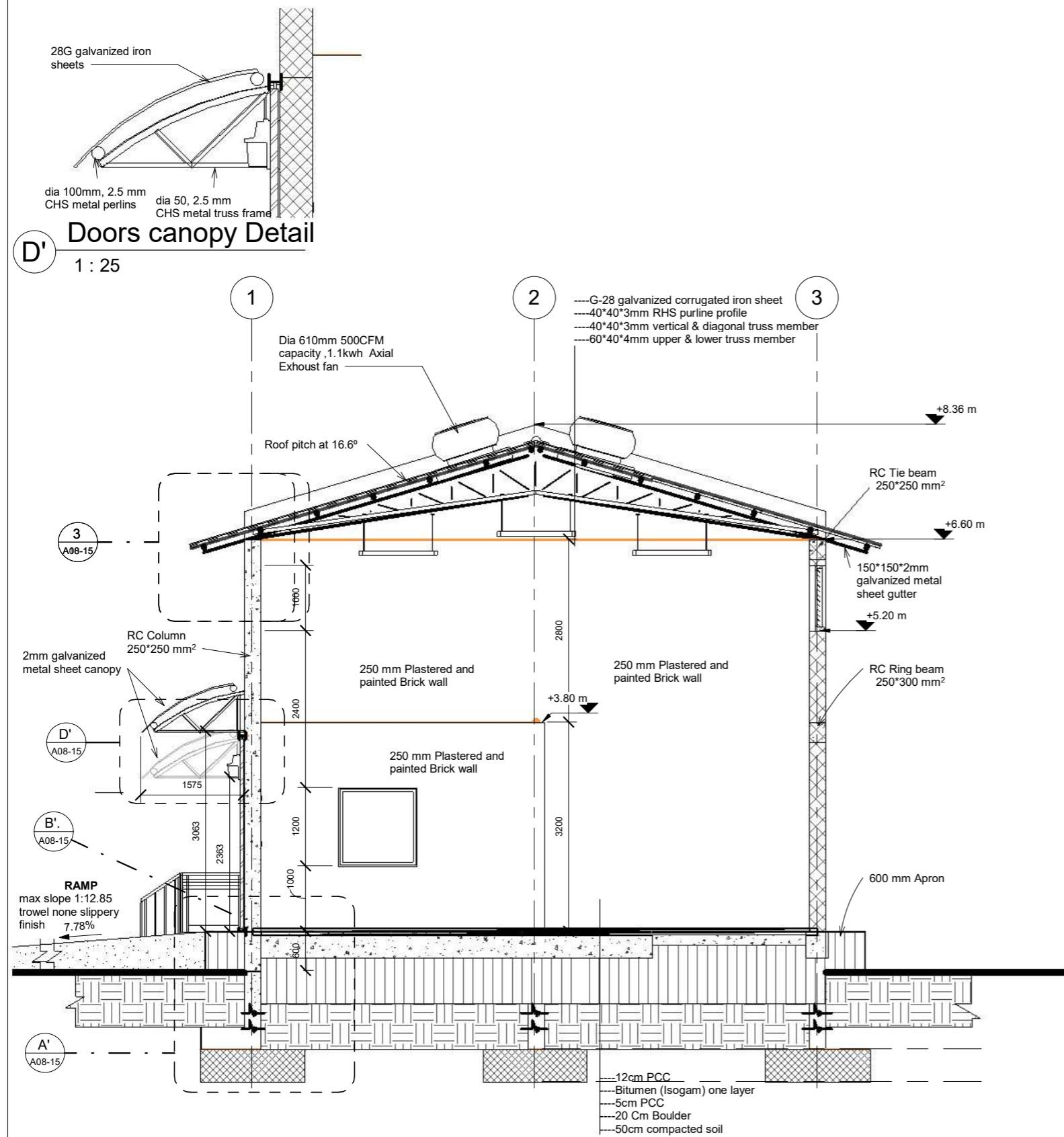


**RIGHT-SIDE ELEVATION**

Scale 1 : 50

No.	Description	Date

Design Status	<b>WORKING DRAWING</b>	
Client	<b>ACTED SOUTH SUDAN</b>	
Consultant	<b>LADDER ENGINEERING AND GENERAL TRADING CO. LTD</b>	
Project Name	<b>600MT AGRO-WAREHOUSE</b>	
Location	<b>BABADI, IBBA COUNTY, WESTERN EQUATORIAL, SOUTH SUDAN</b>	
Drawing Title	<b>RIGHT-SIDE ELEVATION</b>	
Design & Drawing By	<b>LADDER ENGINEERING</b>	Date <b>10/18/22</b>
Checked and Approved By.		Date 
Scale	<b>AS SHOWN</b>	
Layout ID.	<b>A07-17</b>	Revision 



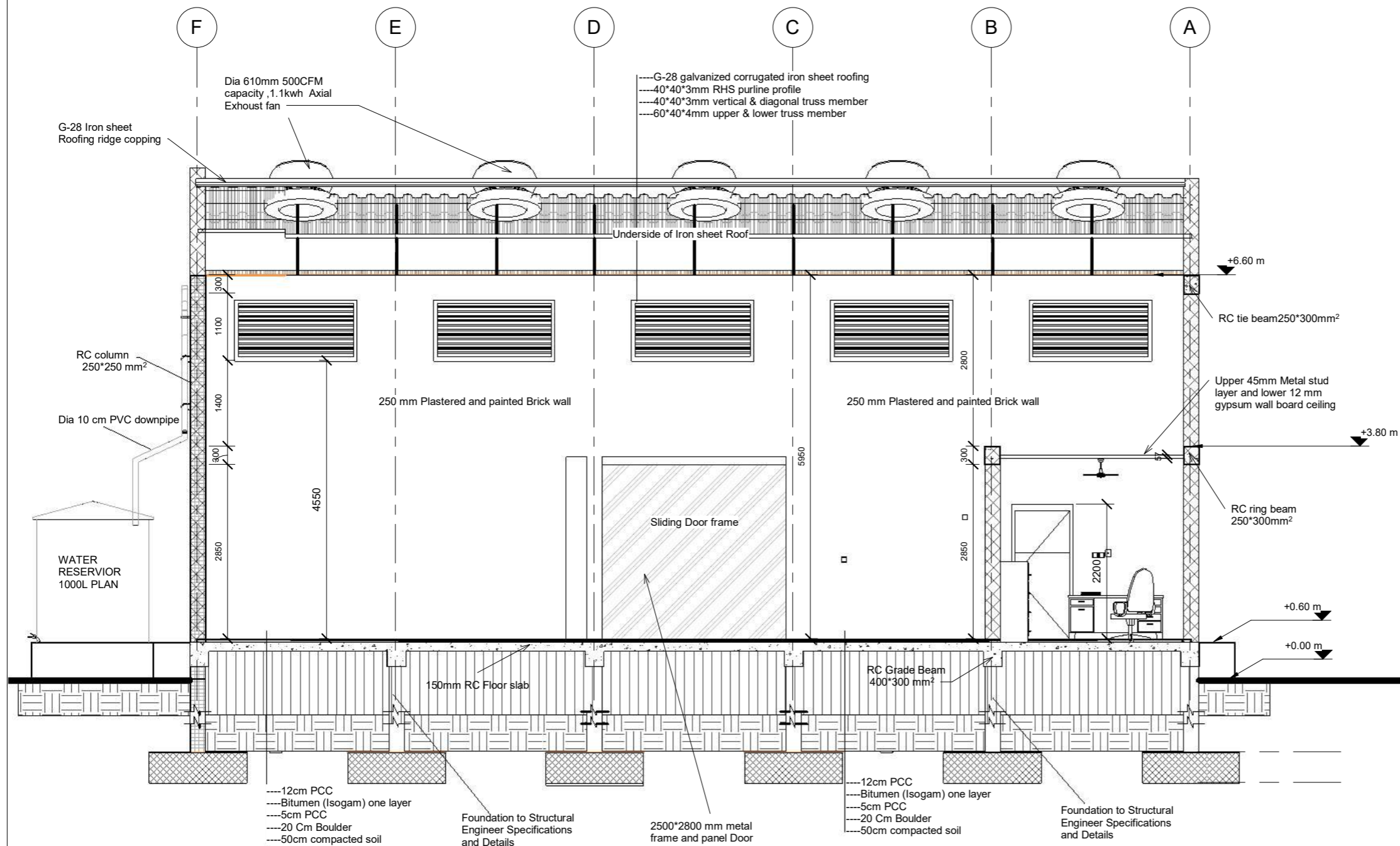
**GENERAL NOTES**

1. ALL DIMENSIONS ARE IN MILLIMETERS UNLESS OTHERWISE STATED.
2. ALL DIMENSIONS TO BE CHECKED AND CONFIRMED ON SITE BEFORE COMMENCEMENT OF ANY WORK.
3. WRITTEN DIMENSIONS OVERRIDES SCALED DIMENSIONS, THUS ALL DIMENSIONS ARE TO BE READ AND NOT AT ANY TIME SCALED FROM THE DRAWING.
4. ANY DISCREPANCY TO BE REPORTED TO THE ACTED SITE ENGINEER/ PROJECT MANAGER PROMPTLY BEFORE PROCEEDING.

No.	Description	Date

Design Status	<b>WORKING DRAWING</b>	
Client	<b>ACTED SOUTH SUDAN</b>	
Consultant	<b>LADDER ENGINEERING AND GENERAL TRADING CO. LTD</b>	
Project Name	<b>600 MT WAREHOUSE</b>	
Location	<b>MOBOROKO, MARIDI COUNTY, WESTERN EQUATORIAL, SOUTH SUDAN</b>	
Drawing Title	<b>SECTION VIEW X'-X'</b>	
Design & Drawing By	<b>LADDER ENGINEERING</b>	Date <b>10/17/22</b>
Checked and Approved By.		Date
Scale	<b>AS SHOWN</b>	
Layout ID.	<b>A08-15</b>	Revision





## SECTION VIEW Y'-Y'

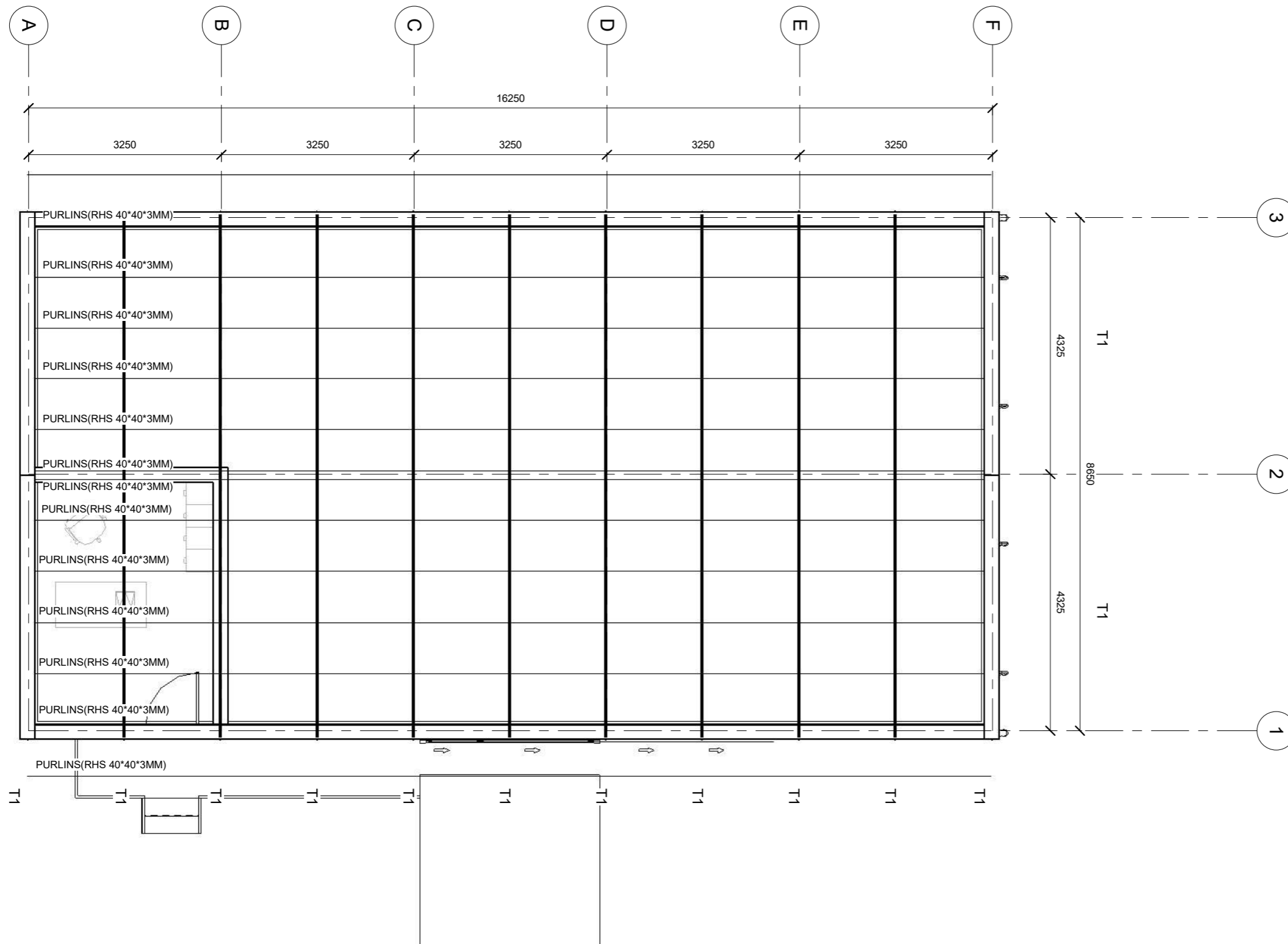
Scale 1 : 50

### GENERAL NOTES

- 1, ALL DIMENSIONS ARE IN MILLIMETERS UNLESS OTHERWISE STATED.
- 2, ALL DIMENSIONS TO BE CHECKED AND CONFIRMED ON SITE BEFORE COMMENCEMENT OF ANY WORK.
- 3, WRITTEN DIMENSIONS OVERRIDES SCALED DIMENSIONS, THUS ALL DIMENSIONS ARE TO BE READ AND NOT AT ANY TIME SCALED FROM THE DRAWING.
- 4, ANY DISCREPANCY TO BE REPORTED TO THE ACTED SITE ENGINEER/ PROJECT MANAGER PROMPTLY BEFORE PROCEEDING.

No.	Description	Date

Design Status	<b>WORKING DRAWING</b>	
Client	<b>ACTED SOUTH SUDAN</b>	
Consultant	<b>LADDER ENGINEERING AND GENERAL TRADING CO. LTD</b>	
Project Name	<b>600MT AGRO-WAREHOUSE</b>	
Location	<b>BABADI, IBBA COUNTY, WESTERN EQUATORIAL, SOUTH SUDAN</b>	
Drawing Title	<b>SECTION VIEW Y'-Y'</b>	
Design & Drawing By	Date	
<b>LADDER ENGINEERING</b>	<b>10/18/22</b>	
Checked and Approved By.	Date	
Scale	<b>AS SHOWN</b>	
Layout ID.	Revision	
<b>A09-17</b>		

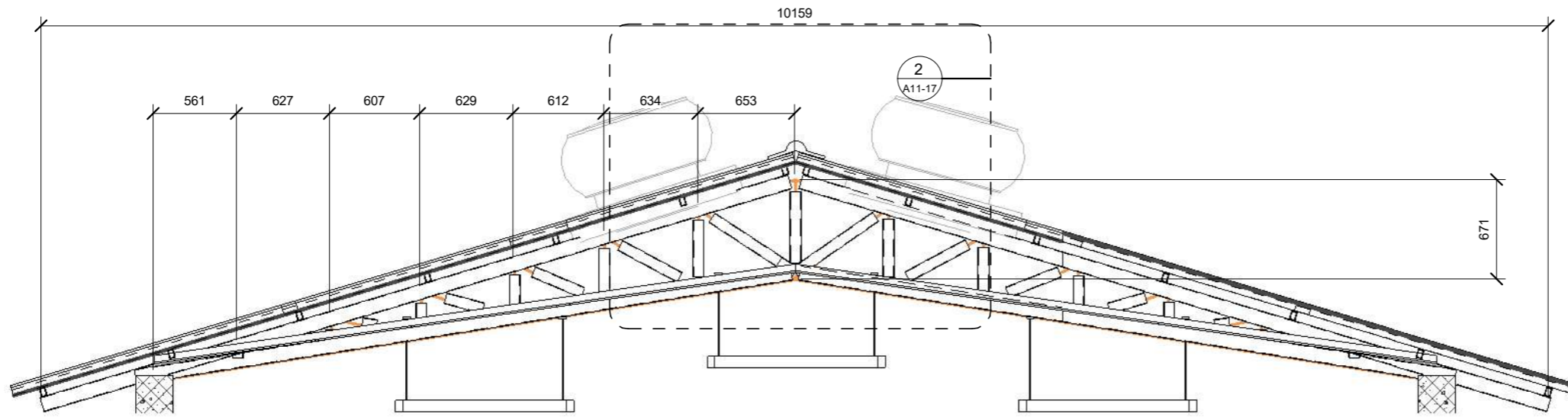


**GENERAL NOTES**

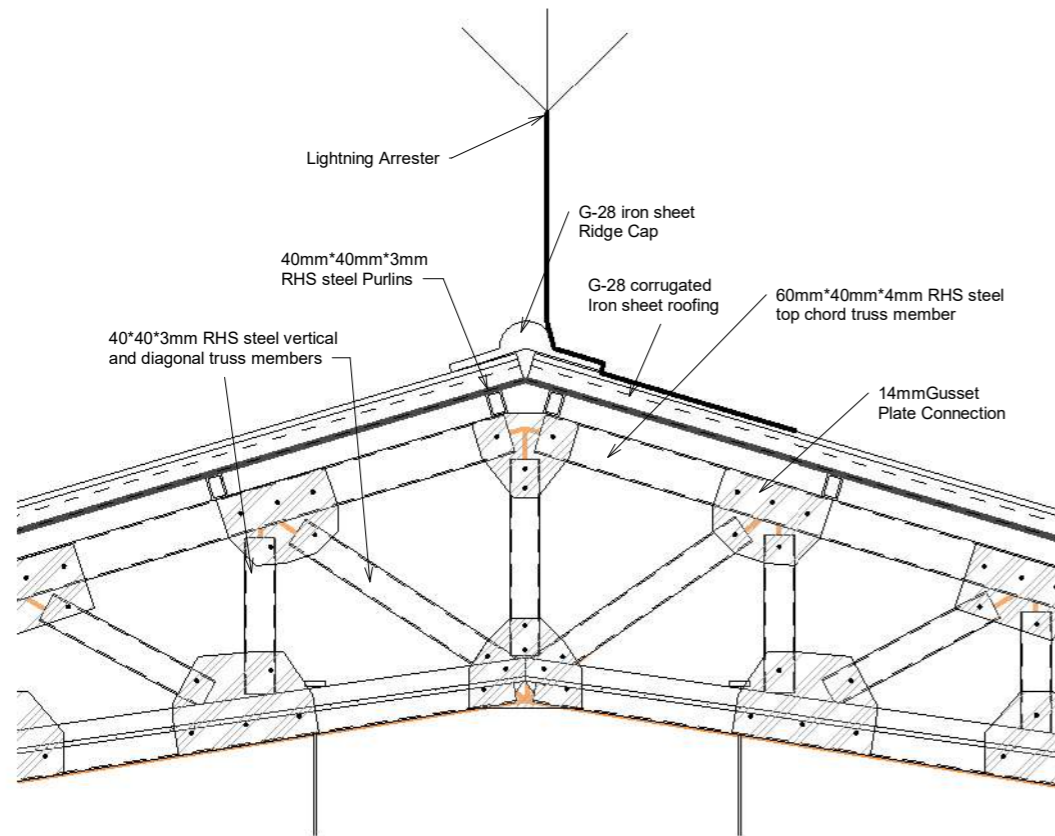
- 1, ALL DIMENSIONS ARE IN MILLIMETERS UNLESS OTHERWISE STATED.
- 2, ALL DIMENSIONS TO BE CHECKED AND CONFIRMED ON SITE BEFORE COMMENCEMENT OF ANY WORK.
- 3, WRITTEN DIMENSIONS OVERRIDES SCALED DIMENSIONS, THUS ALL DIMENSIONS ARE TO BE READ AND NOT AT ANY TIME SCALED FROM THE DRAWING.
- 4, ANY DISCREPANCY TO BE REPORTED TO THE ACTED SITE ENGINEER/ PROJECT MANAGER PROMPTLY BEFORE PROCEEDING.

No.	Description	Date

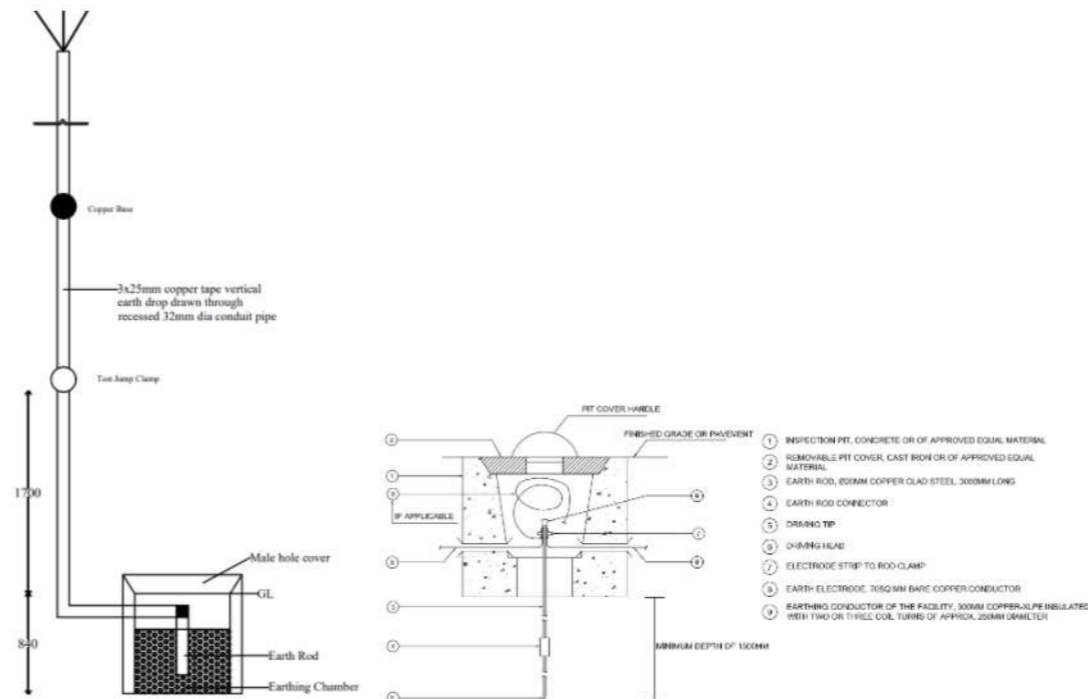
Design Status	<b>WORKING DRAWING</b>	
Client	<b>ACTED SOUTH SUDAN</b>	
Consultant	<b>LADDER ENGINEERING AND GENERAL TRADING CO. LTD</b>	
Project Name	<b>600MT AGRO-WAREHOUSE</b>	
Location	<b>BABADI, IBBA COUNTY, WESTERN EQUATORIAL, SOUTH SUDAN</b>	
Drawing Title	<b>ROOF TRUSS LAYOUT</b>	
Design & Drawing By	<b>LADDER ENGINEERING</b>	Date <b>11/16/22</b>
Checked and Approved By.		Date
Scale	<b>AS SHOWN</b>	
Layout ID.	<b>A10-17</b>	Revision



**ROOF TRUSS (T1) DETAIL**  
SCALE 1:50



**RIDGE DETAIL**  
SCALE 1:50



**LIGHTNING ARRESTER AND  
ELECTRODE INSPECTION PIT DETAILS**

**GENERAL NOTES**

- 1, ALL DIMENSIONS ARE IN MILLIMETERS UNLESS OTHERWISE STATED.
- 2, ALL DIMENSIONS TO BE CHECKED AND CONFIRMED ON SITE BEFORE COMMENCEMENT OF ANY WORK.
- 3, WRITTEN DIMENSIONS OVERRIDES SCALED DIMENSIONS, THUS ALL DIMENSIONS ARE TO BE READ AND NOT AT ANY TIME SCALED FROM THE DRAWING.
- 4, ANY DISCREPANCY TO BE REPORTED TO THE ACTED SITE ENGINEER/ PROJECT MANAGER PROMPTLY BEFORE PROCEEDING.

No.	Description	Date

Design Status **WORKING DRAWING**

Client **ACTED SOUTH SUDAN**

Consultant **LADDER ENGINEERING AND GENERAL TRADING CO. LTD**

Project Name **600MT AGRO-WAREHOUSE**

Location **BABADI, IBBA COUNTY, WESTERN EQUATORIAL, SOUTH SUDAN**

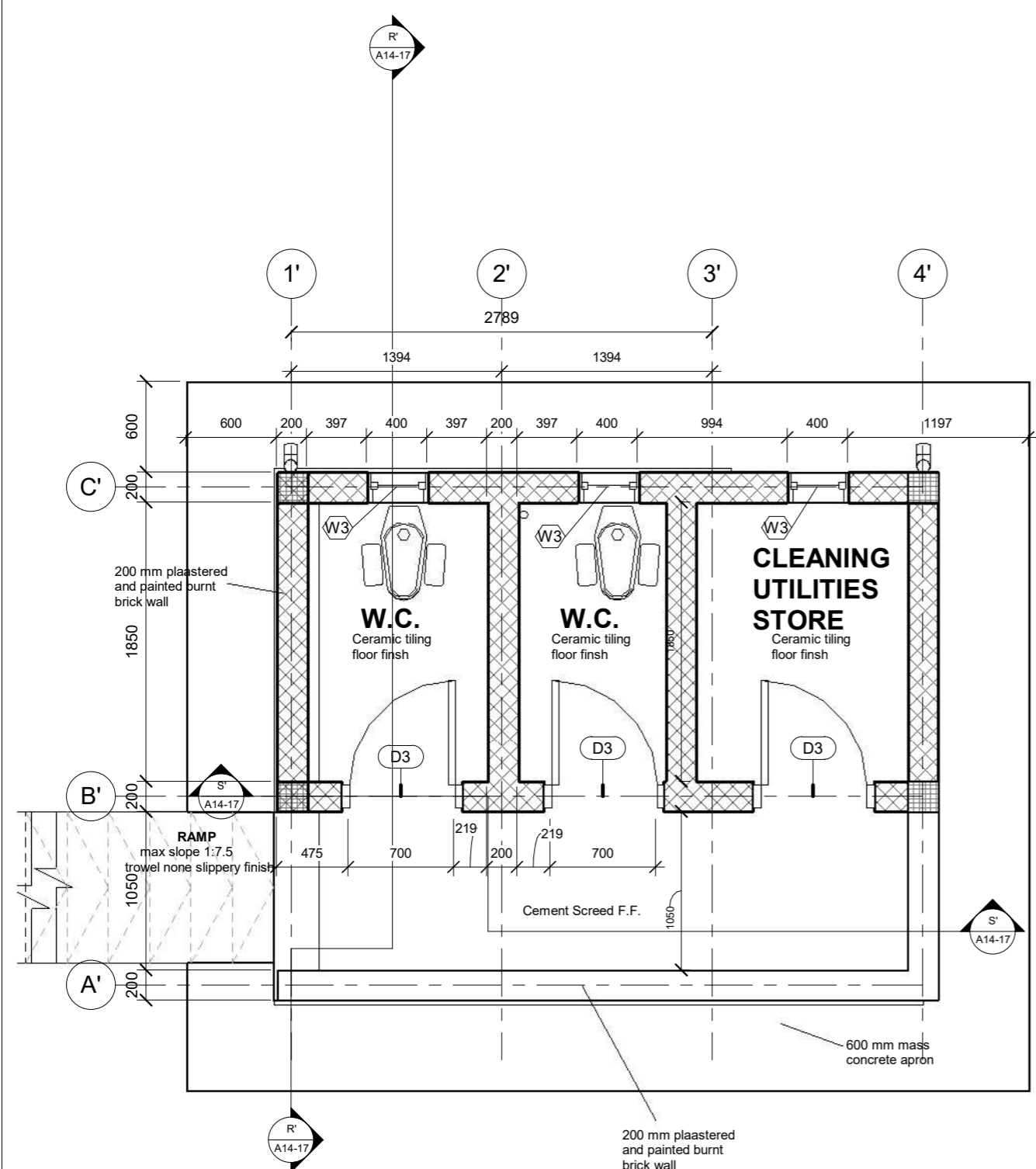
Drawing Title **ROOF TRUSS DETAILS**

Design & Drawing By **LADDER ENGINEERING** Date **11/16/22**

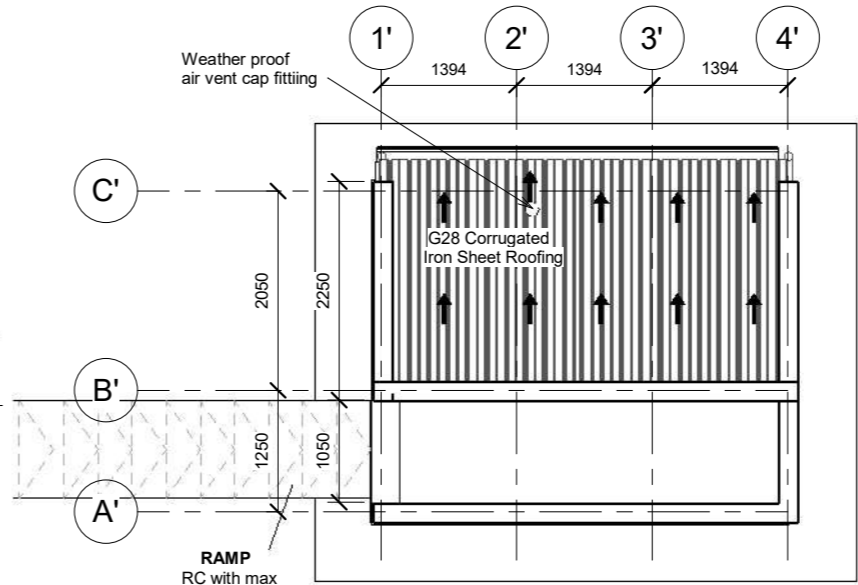
Checked and Approved By. \_\_\_\_\_ Date \_\_\_\_\_

Scale **AS SHOWN**

Layout ID. **A11-17** Revision \_\_\_\_\_



**1** TOILET GROUND FLOOR PLAN  
1 : 25



**2** ROOF PLAN  
1 : 50

# TOILET ROOF AND FLOOR PLAN

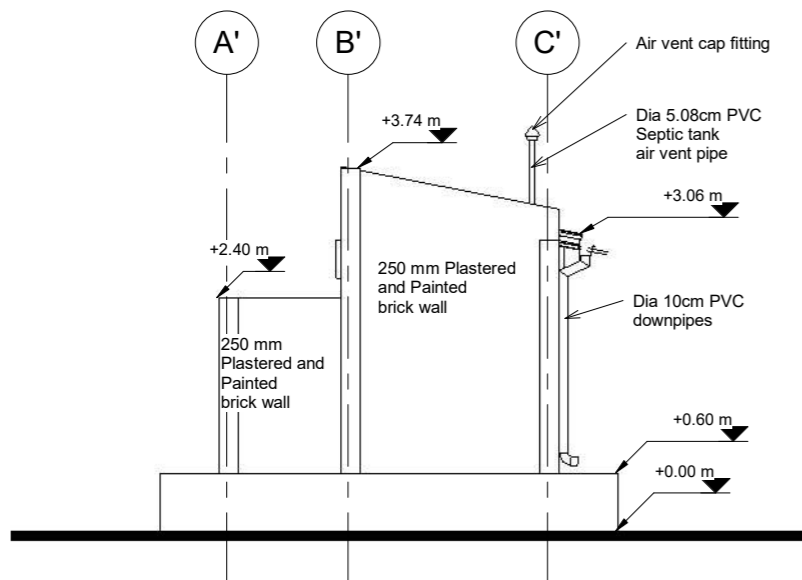
Scale As indicated

### GENERAL NOTES

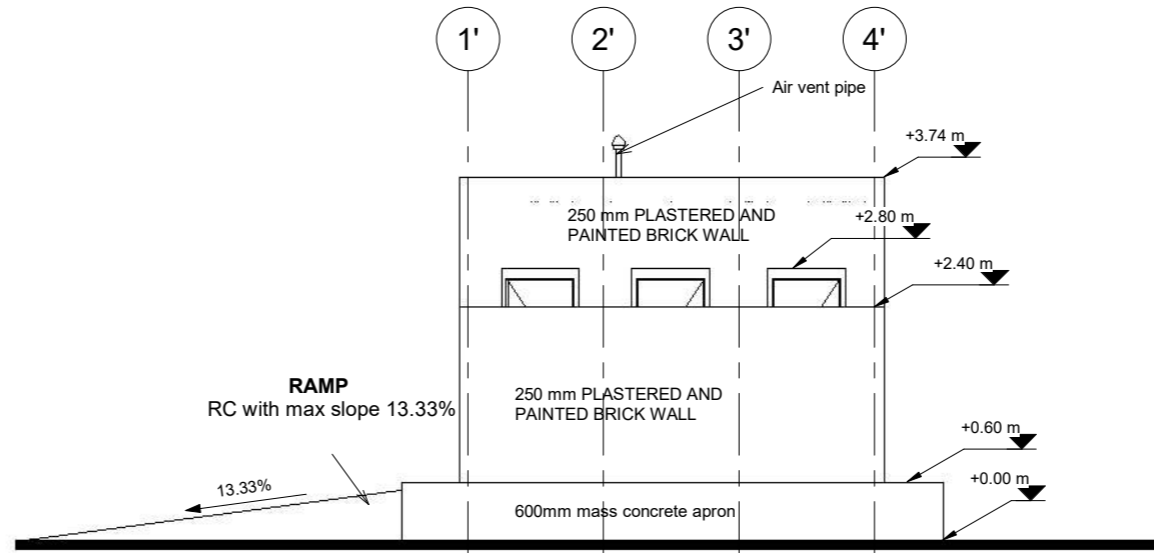
1. ALL DIMENSIONS ARE IN MILLIMETERS UNLESS OTHERWISE STATED.
2. ALL DIMENSIONS TO BE CHECKED AND CONFIRMED ON SITE BEFORE COMMENCEMENT OF ANY WORK.
3. WRITTEN DIMENSIONS OVERRIDES SCALED DIMENSIONS, THUS ALL DIMENSIONS ARE TO BE READ AND NOT AT ANY TIME SCALED FROM THE DRAWING.
4. ANY DISCREPANCY TO BE REPORTED TO THE ACTED SITE ENGINEER/ PROJECT MANAGER PROMPTLY BEFORE PROCEEDING.

No.	Description	Date

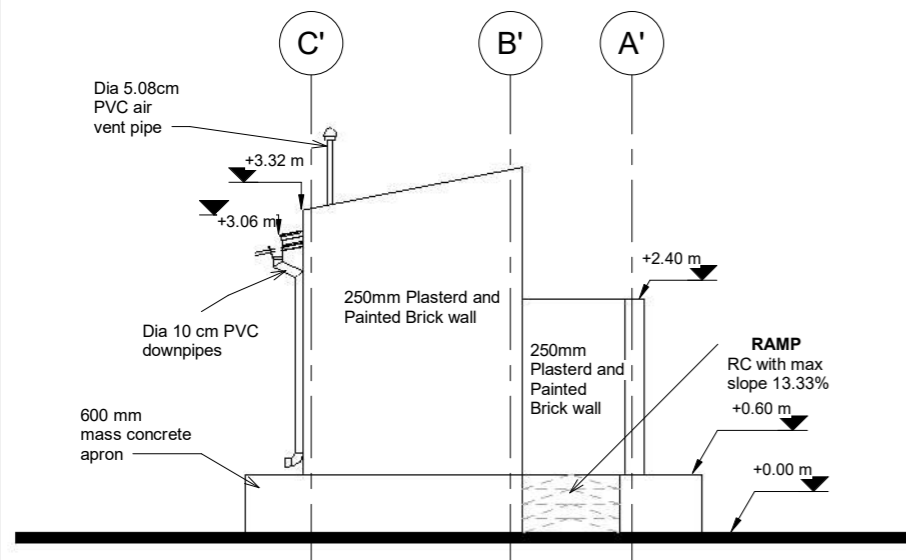
Design Status	<b>WORKING DRAWING</b>	
Client	<b>ACTED SOUTH SUDAN</b>	
Consultant	<b>LADDER ENGINEERING AND GENERAL TRADING CO. LTD</b>	
Project Name	<b>600MT AGRO-WAREHOUSE</b>	
Location	<b>BABADI, IBBA COUNTY, WESTERN EQUATORIAL, SOUTH SUDAN</b>	
Drawing Title	<b>TOILET ROOF AND FLOOR PLAN</b>	
Design & Drawing By	Date	
<b>LADDER ENGINEERING</b>	<b>10/19/22</b>	
Checked and Approved By.	Date	
Scale	<b>AS SHOWN</b>	
Layout ID.	Revision	
<b>A12-17</b>		



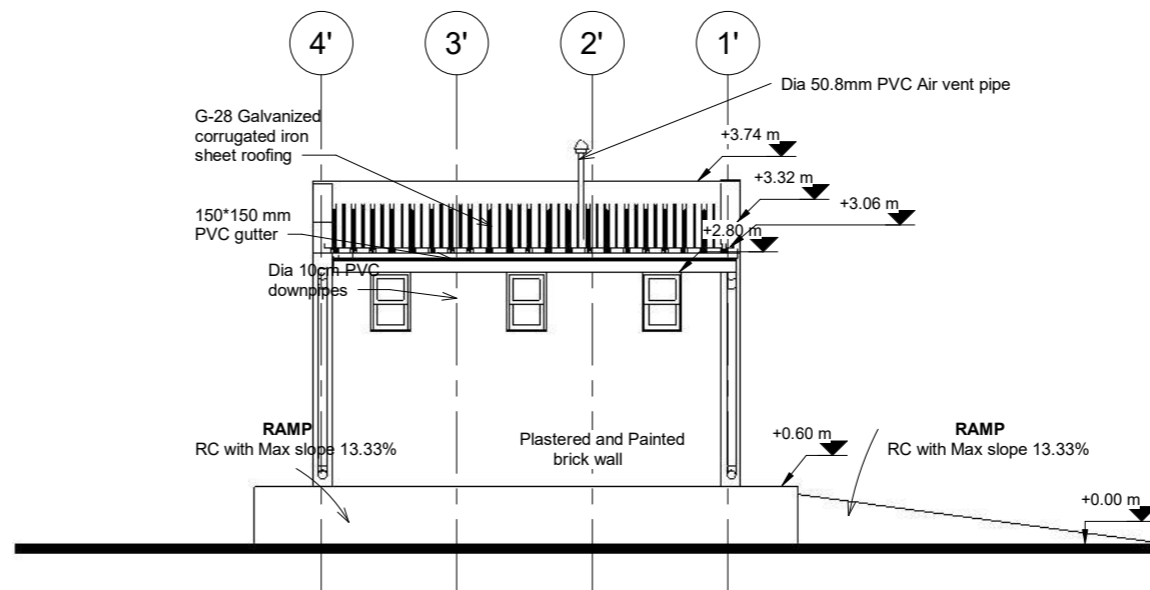
1 East Elevation  
1 : 50



4 South Elevation  
1 : 50



3 West Elevation  
1 : 50



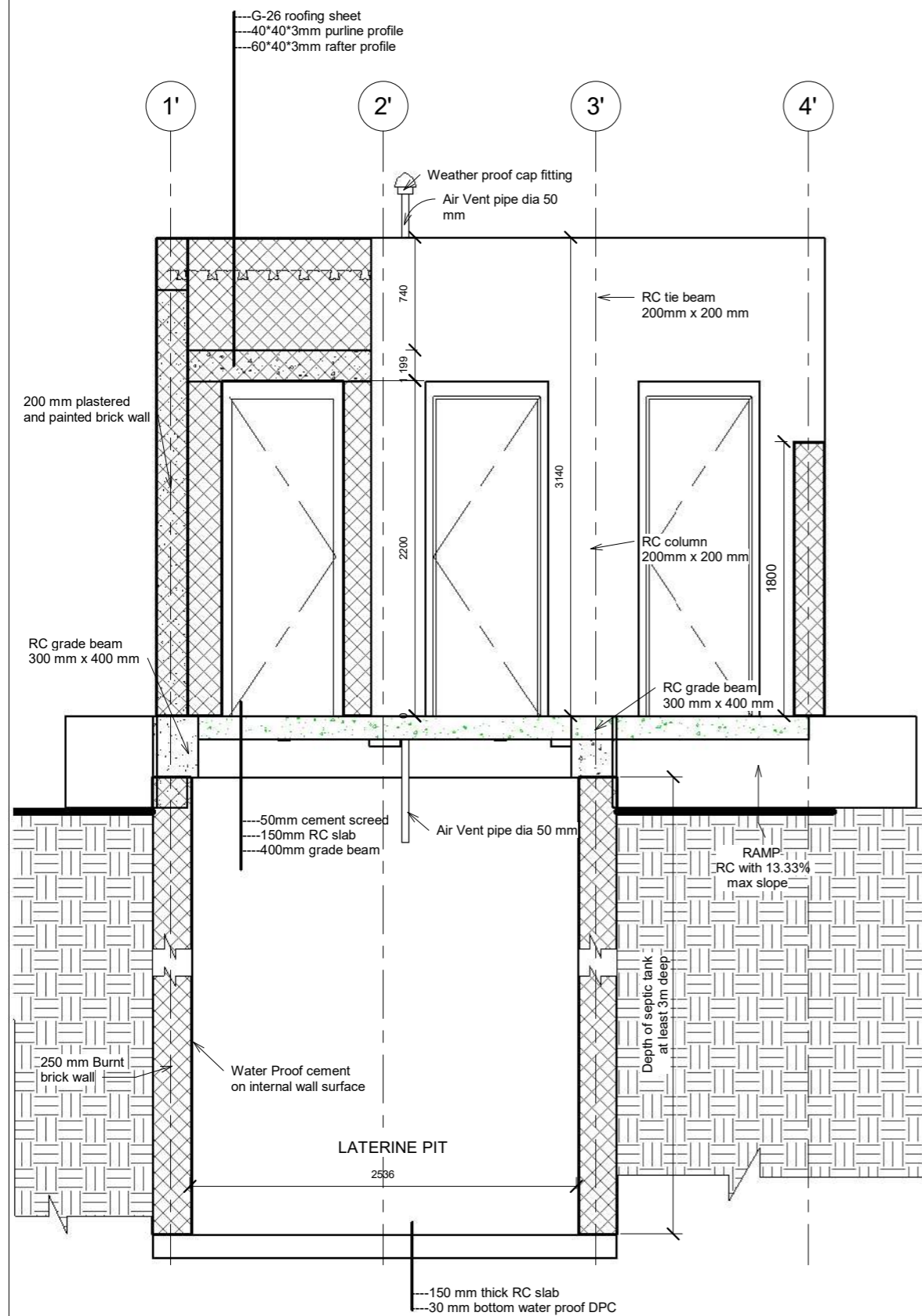
2 North Elevation  
1 : 50

**GENERAL NOTES**

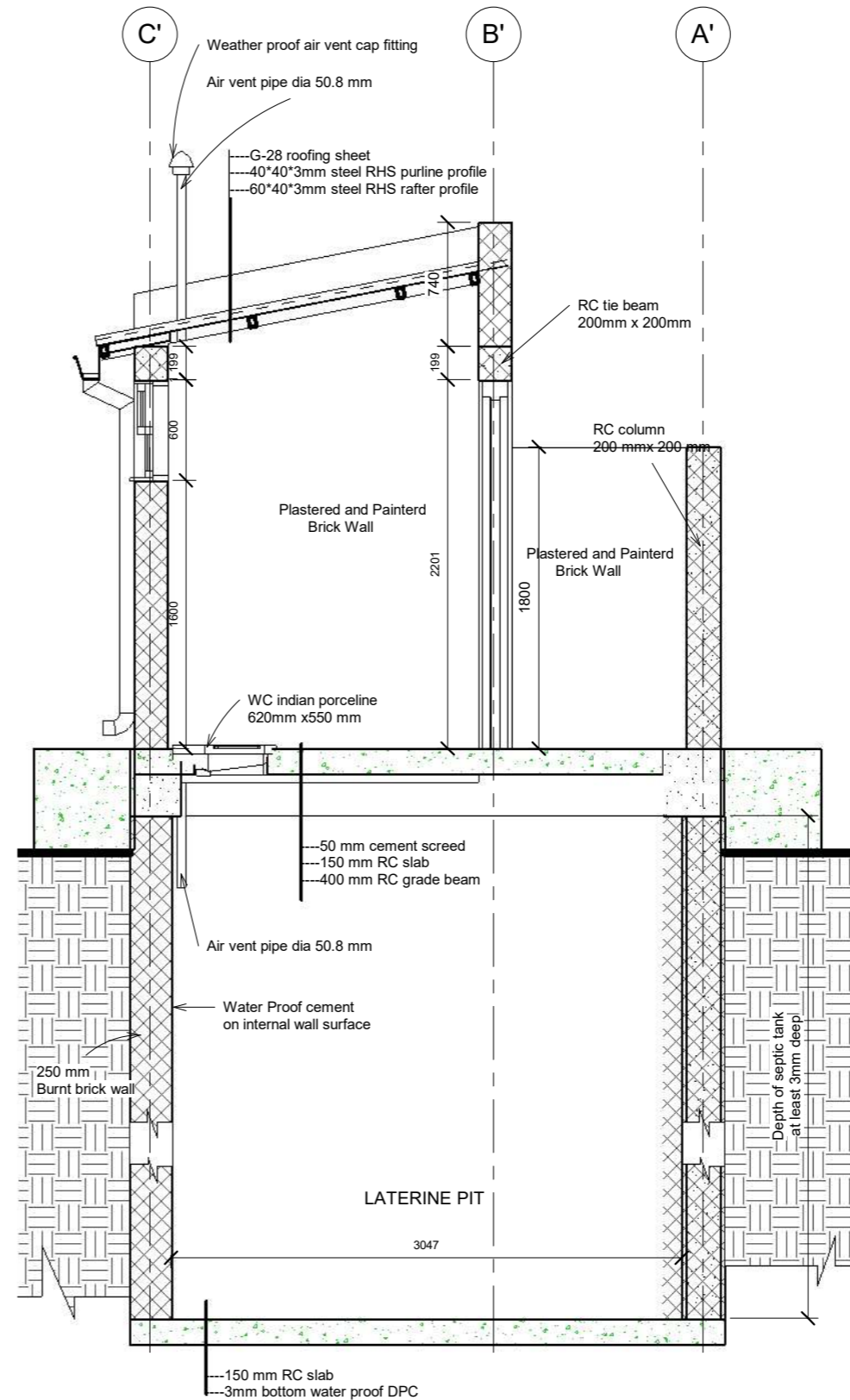
- 1, ALL DIMENSIONS ARE IN MILLIMETERS UNLESS OTHERWISE STATED.
- 2, ALL DIMENSIONS TO BE CHECKED AND CONFIRMED ON SITE BEFORE COMMENCEMENT OF ANY WORK.
- 3, WRITTEN DIMENSIONS OVERRIDES SCALED DIMENSIONS, THUS ALL DIMENSIONS ARE TO BE READ AND NOT AT ANY TIME SCALED FROM THE DRAWING.
- 4, ANY DISCREPANCY TO BE REPORTED TO THE ACTED SITE ENGINEER/ PROJECT MANAGER PROMTLY BEFORE PROCEEDING.

No.	Description	Date

Design Status	<b>WORKING DRAWING</b>	
Client	<b>ACTED SOUTH SUDAN</b>	
Consultant	<b>LADDER ENGINEERING AND GENERAL TRADING CO. LTD</b>	
Project Name	<b>600MT AGRO-WAREHOUSE</b>	
Location	<b>BABADI, IBBA COUNTY, WESTERN EQUATORIAL, SOUTH SUDAN</b>	
Drawing Title	<b>TOILET ELEVATIONS</b>	
Design & Drawing By	<b>LADDER ENGINEERING</b>	Date <b>10/20/22</b>
Checked and Approved By.		Date
Scale	<b>AS SHOWN</b>	
Layout ID.	<b>A13-17</b>	Revision



**S'** Section S'-S'  
1 : 25



**R'** Section R'-R'  
1 : 25

**GENERAL NOTES**

- 1, ALL DIMENSIONS ARE IN MILLIMETERS UNLESS OTHERWISE STATED.
- 2, ALL DIMENSIONS TO BE CHECKED AND CONFIRMED ON SITE BEFORE COMMENCEMENT OF ANY WORK.
- 3, WRITTEN DIMENSIONS OVERRIDES SCALED DIMENSIONS, THUS ALL DIMENSIONS ARE TO BE READ AND NOT AT ANY TIME SCALED FROM THE DRAWING.
- 4, ANY DISCREPANCY TO BE REPORTED TO THE ACTED SITE ENGINEER/ PROJECT MANAGER PROMPTLY BEFORE PROCEEDING.

No.	Description	Date

Design Status  
**WORKING DRAWING**

Client  
**ACTED SOUTH SUDAN**

Consultant  
**LADDER ENGINEERING AND GENERAL TRADING CO. LTD**

Project Name  
**600 MT WAREHOUSE**

Location  
**MOBOROKO, MARIDI COUNTY, WESTERN EQUATORIAL, SOUTH SUDAN**

Drawing Title  
**TOILETS SECTION VIEWS**

Design & Drawing By  
**LADDER ENGINEERING**

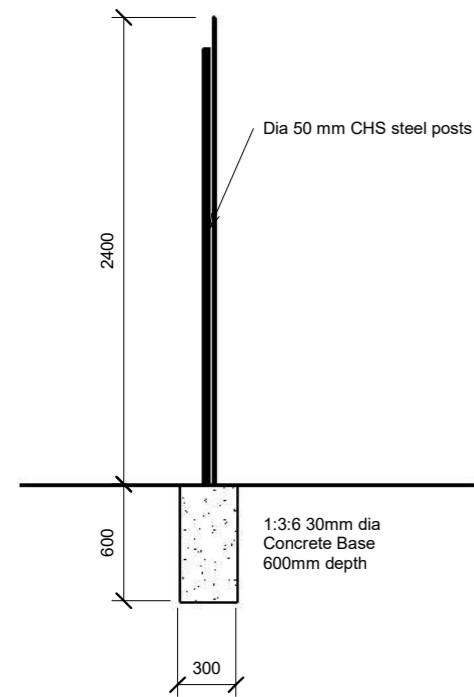
Date  
**10/19/22**

Checked and Approved By. \_\_\_\_\_ Date \_\_\_\_\_

Scale  
**AS SHOWN**

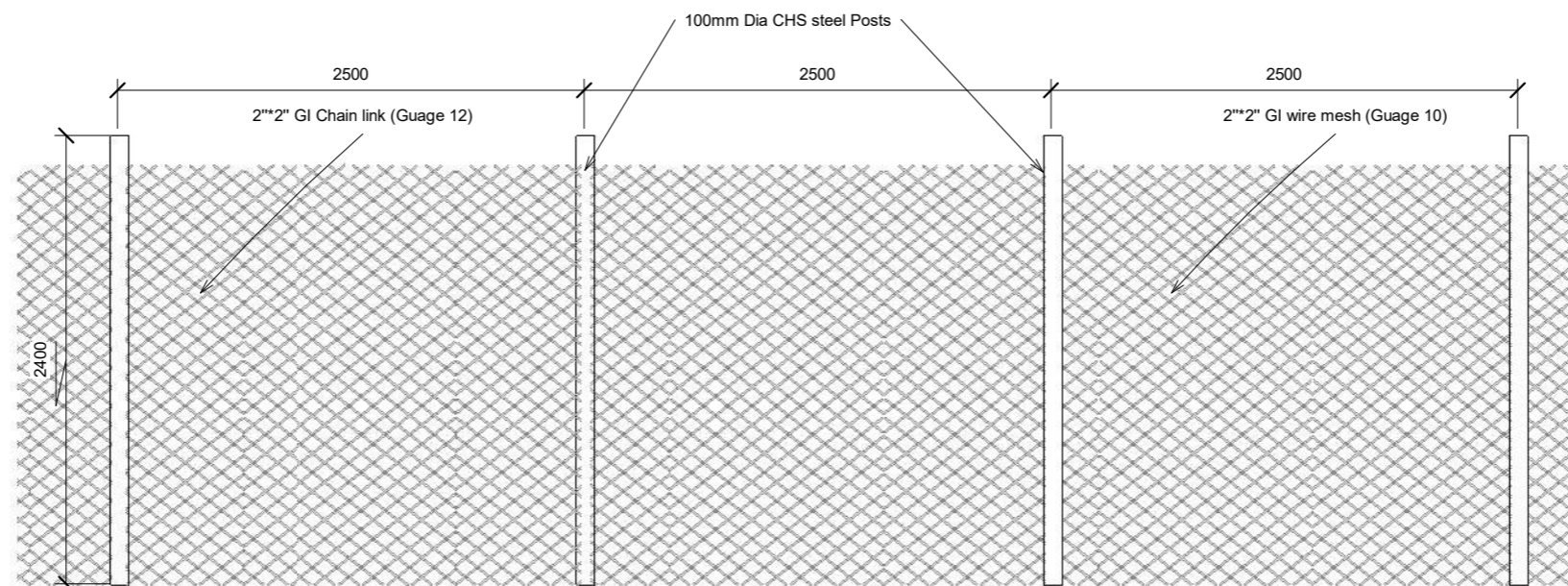
Layout ID.  
**A13-15**

Revision \_\_\_\_\_



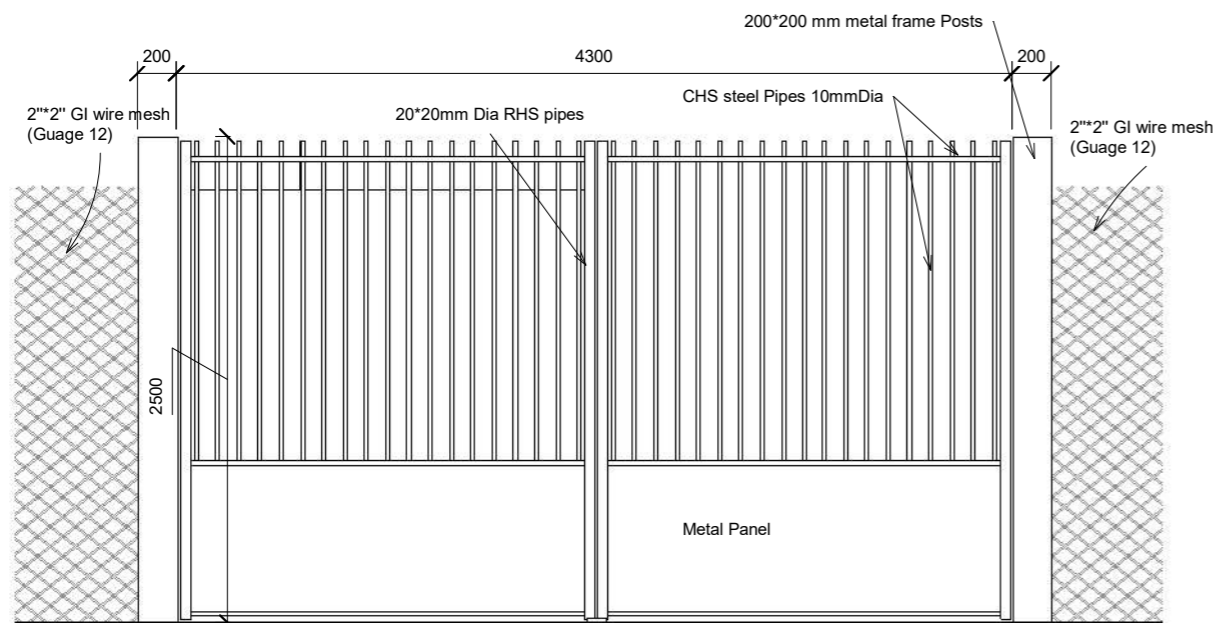
**FENCE POST SECTION**

SCALE 1:50



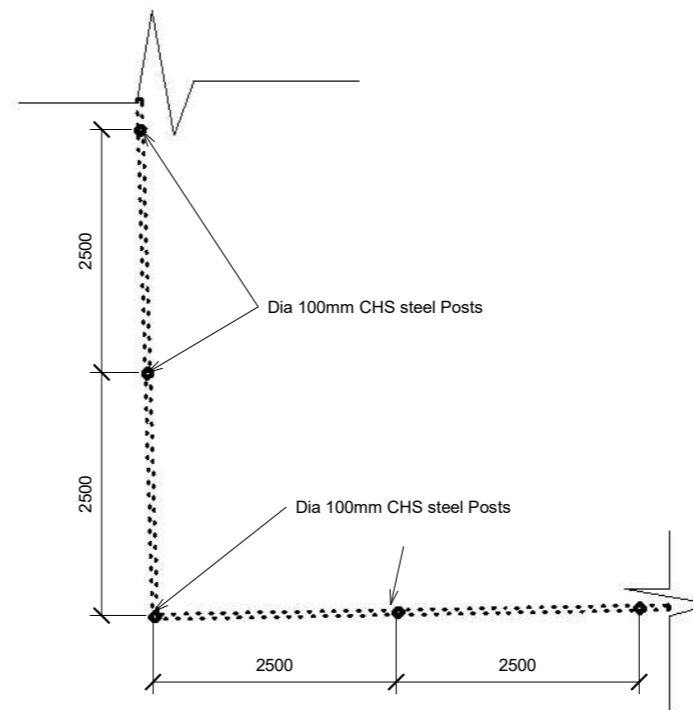
**FENCE FRONT ELEVATION**

SCALE 1:50



**GATE FRONT ELEVATION**

SCALE 1:25



**FENCE PLAN**

SCALE 1:50

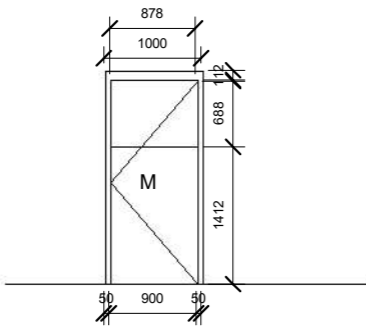
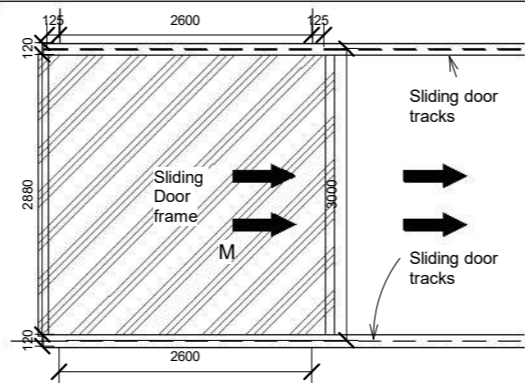
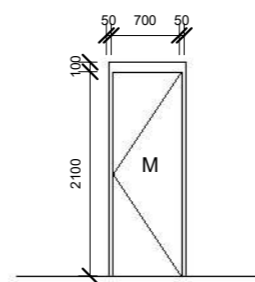
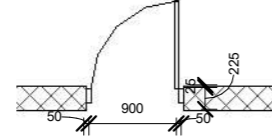
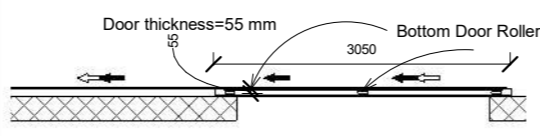
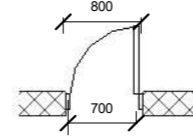
**GENERAL NOTES**

- 1, ALL DIMENSIONS ARE IN MILLIMETERS UNLESS OTHERWISE STATED.
- 2, ALL DIMENSIONS TO BE CHECHED AND CONFIRMED ON SITE BEFORE COMMENCEMENT OF ANY WORK.
- 3, WRITTEN DIMENSIONS OVERRIDES SCALED DIMENSIONS, THUS ALL DIMENSIONS ARE TO BE READ AND NOT AT ANY TIME SCALED FROM THE DRAWING.
- 4, ANY DISCREPANCY TO BE REPORTED TO THE ACTED SITE ENGINEER/ PROJECT MANAGER PROMTLY BEFORE PROCEEDING.

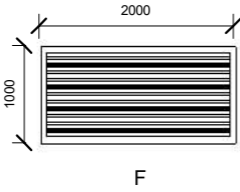
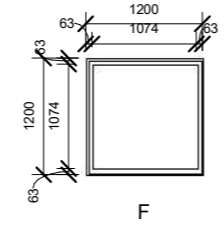
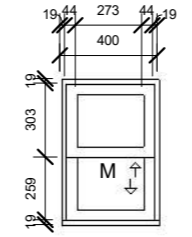
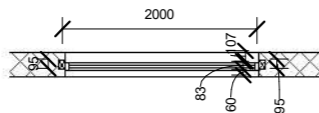
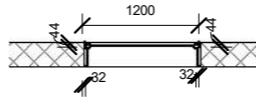
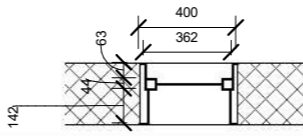
No.	Description	Date

Design Status	<b>WORKING DRAWING</b>	
Client	<b>ACTED SOUTH SUDAN</b>	
Consultant	<b>LADDER ENGINEERING AND GENERAL TRADING CO. LTD</b>	
Project Name	<b>600MT AGRO-WAREHOUSE</b>	
Location	<b>BABADI, IBBA COUNTY, WESTERN EQUATORIAL, SOUTH SUDAN</b>	
Drawing Title	<b>FENCE &amp; GATE DETAILS</b>	
Design & Drawing By	<b>LADDER ENGINEERING</b>	Date <b>01/09/23</b>
Checked and Approved By.		Date
Scale	<b>AS SHOWN</b>	
Layout ID.	<b>A15-17</b>	Revision

### DOORS SCHEDULE

F= FIXED M= MOVABLE			
FLOOR FINISH LEVEL			
OPENING			
TYPE	<b>D1</b>	<b>D2</b>	<b>D3</b>
SIZE	900 X 2200 MM	2550 X 2800 MM	700 X 2100 MM
QUANTITY	1	1	3
MATERIAL	RHS METAL FRAME AND METAL LOWER PANEL	METAL FRAME WITH TOP & BOTTOM METAL TRACKS	RHS METAL FRAME AND METAL PANEL
GLAZING	CLEAR GLASS	NONE	NONE

### WINDOWS SCHEDULE

F= FIXED M= MOVABLE			
FLOOR FINISH LEVEL			
OPENING			
TYPE	<b>W1</b>	<b>W2</b>	<b>W3</b>
SIZE	2000 X 1000 MM	1200 X 1200 MM	700 X 2100 MM
QUANTITY	10 PCS	1	3
MATERIAL	METAL FRAME WITH METAL LOUVRE BLADES	RHS METAL FRAME	RHS METAL FRAME
GLAZING	MOSQUITO WIRE NET MESH	CLEAR GLASS	CLEAR GLASS

#### GENERAL NOTES

1. ALL DIMENSIONS ARE IN MILLIMETERS UNLESS OTHERWISE STATED.
2. ALL DIMENSIONS TO BE CHECKED AND CONFIRMED ON SITE BEFORE COMMENCEMENT OF ANY WORK.
3. WRITTEN DIMENSIONS OVERRIDES SCALED DIMENSIONS, THUS ALL DIMENSIONS ARE TO BE READ AND NOT AT ANY TIME SCALED FROM THE DRAWING.
4. ANY DISCREPANCY TO BE REPORTED TO THE ACTED SITE ENGINEER/ PROJECT MANAGER PROMPTLY BEFORE PROCEEDING.

No.	Description	Date

Design Status **WORKING DRAWING**

Client **ACTED SOUTH SUDAN**

Consultant **LADDER ENGINEERING AND GENERAL TRADING CO. LTD**

Project Name **600MT AGRO-WAREHOUSE**

Location **BABADI, IBBA COUNTY, WESTERN EQUATORIAL, SOUTH SUDAN**

Drawing Title **DOOR AND WINDOW SCHEDULE**

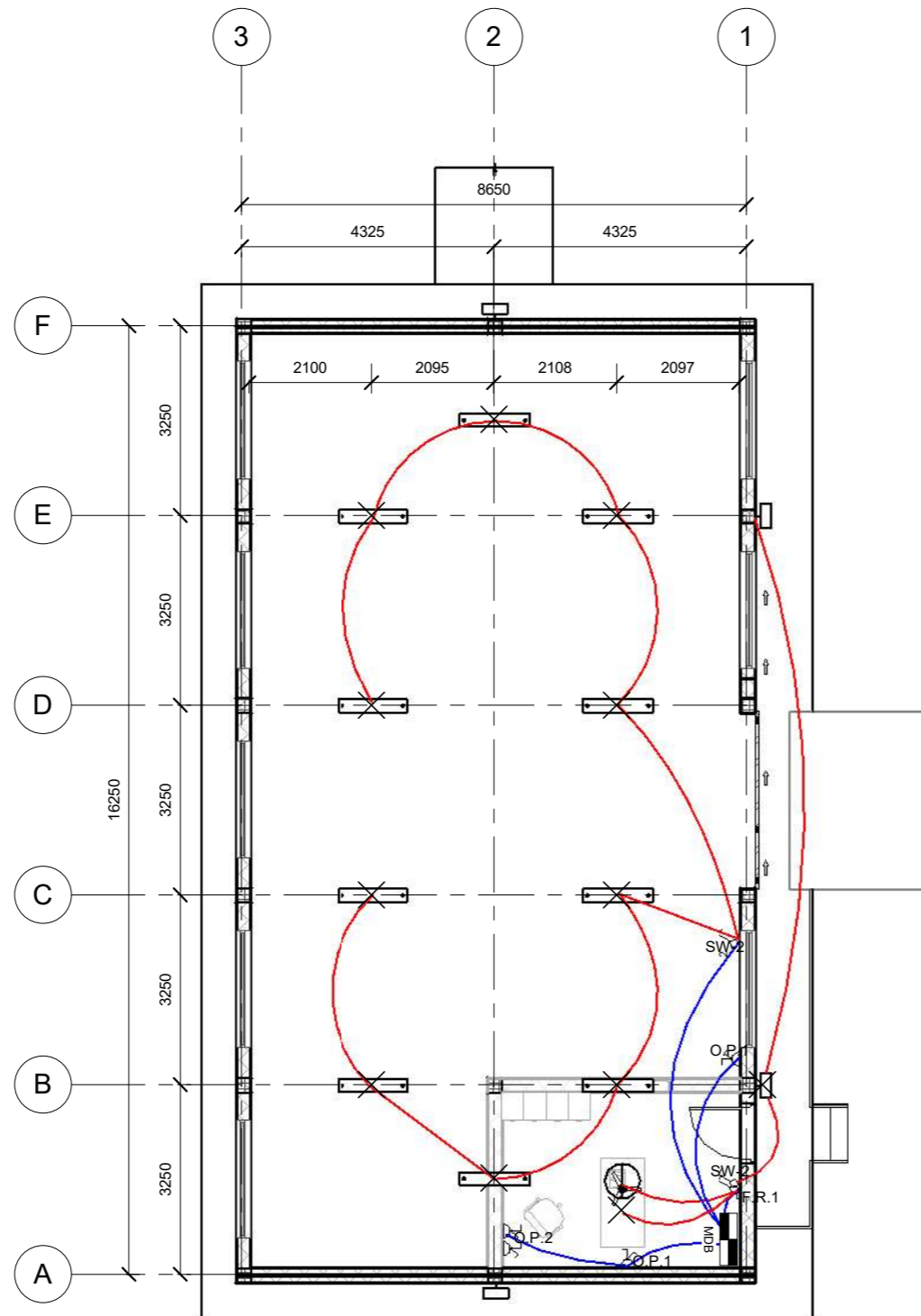
Design & Drawing By **LADDER ENGINEERING** Date **11/16/22**

Checked and Approved By. \_\_\_\_\_ Date \_\_\_\_\_

Scale **AS SHOWN**

Layout ID. **A16-17** Revision \_\_\_\_\_





1 electrical plan  
1 : 75

GENERAL NOTES

- ✕ Light Point
- 1 Single pole switch
- 2 Double pole switch
- MDB Main Distribution Box
- OL-1 Power Outlet
- AC-1 Outlet for AC Power
- FR-1 Fan switch/ dimmer

No.	Description	Date

Design Status	<b>WORKING DRAWING</b>	
Client	<b>ACTED SOUTH SUDAN</b>	
Consultant	<b>LADDER ENGINEERING AND GENERAL TRADING CO. LTD</b>	
Project Name	<b>600MT AGRO-WAREHOUSE</b>	
Location	<b>BABADI, IBBA COUNTY, WESTERN EQUATORIAL, SOUTH SUDAN</b>	
Drawing Title	<b>ELECTRICAL WIRING DIAGRAM</b>	
Design & Drawing By	LADDER ENGINEERING	Date 11/16/22
Checked and Approved By.		Date
Scale	<b>AS SHOWN</b>	
Layout ID.	A17-17	Revision