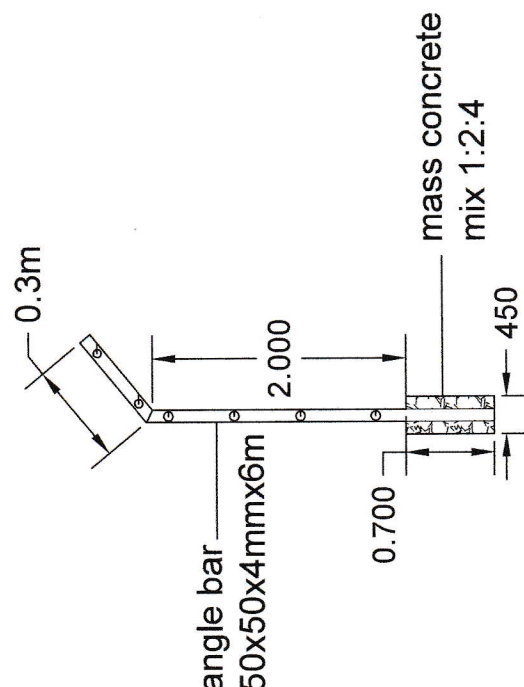


Elevation



Section of the fence