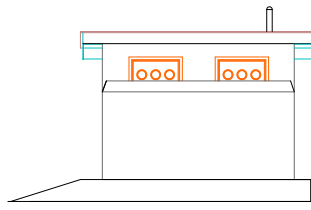
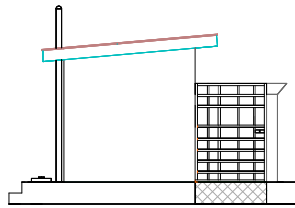


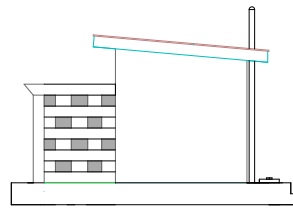
**REAR ELEVATION**



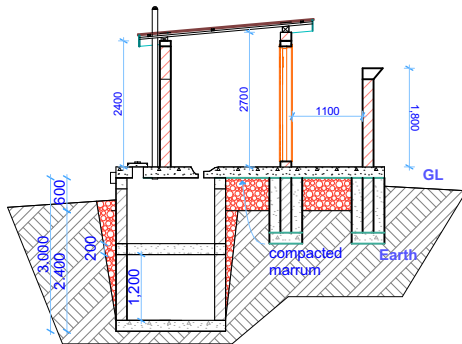
**FRONT ELEVATION**



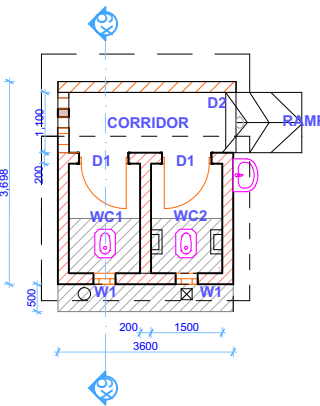
**RIGHT ELEVATION**



**LEFT ELEVATION**



**CROSS-SECTION X-X**



No.	Desc-	Qty	Size
1	W1	2	600x400
<b>windows schedule</b>			
<b>Doors schedules</b>			
No.	Desc-	Qty	Size
1	D1	2	900x2100
1	D2	1	1100x1800

**Roof note**

Roof pitch 15°  
 G28 Prepainted iron sheet on  
 2x3 hardwood purlins space @ 600c/c on  
 2x4 hardwood rafters @1500c/c  
 2x4 hardwood tie beam, struts and ties  
 3x4 2 hardwood wall plate

**FOUNDATION NOTES, RING BEAM AND BEAM**

200mmx300mm foundation beam  
 ratio 1:2:4 cement, sand, aggr.  
 600mm well compacted murrum fill.