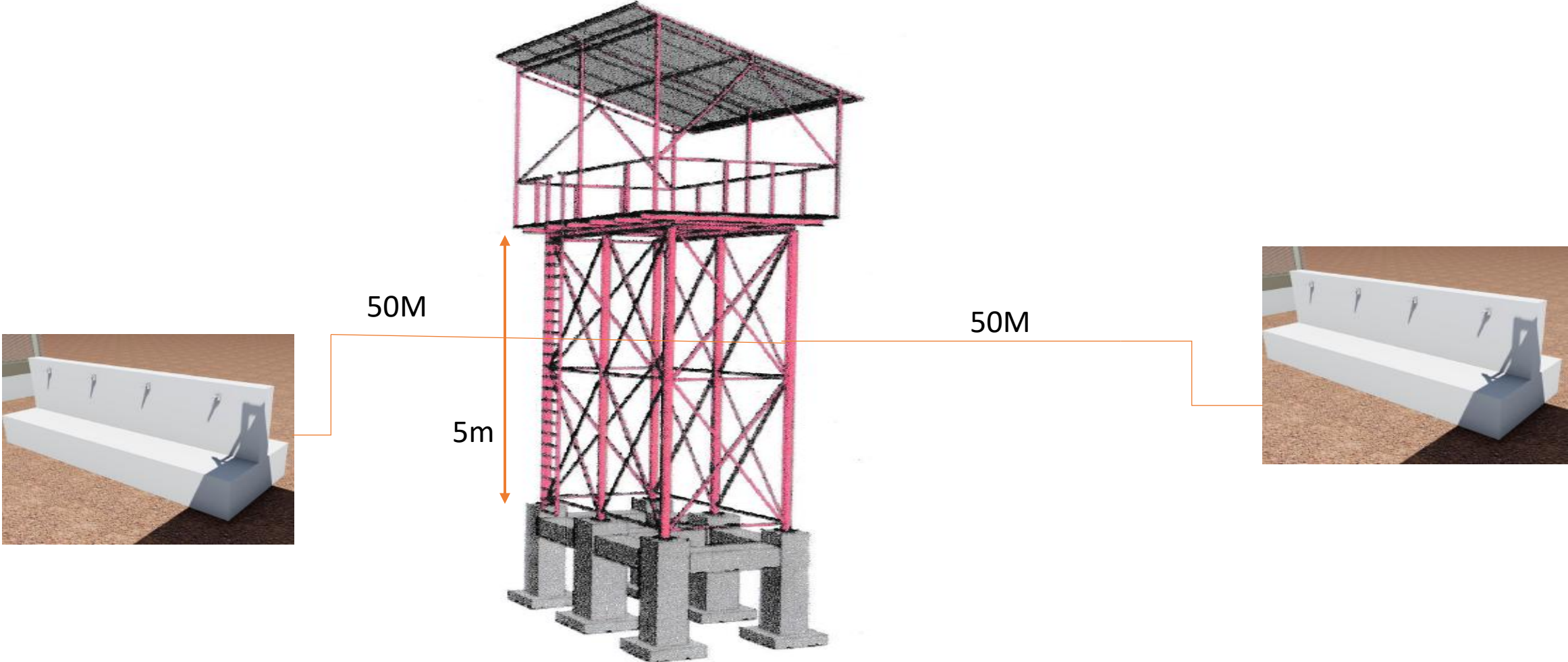
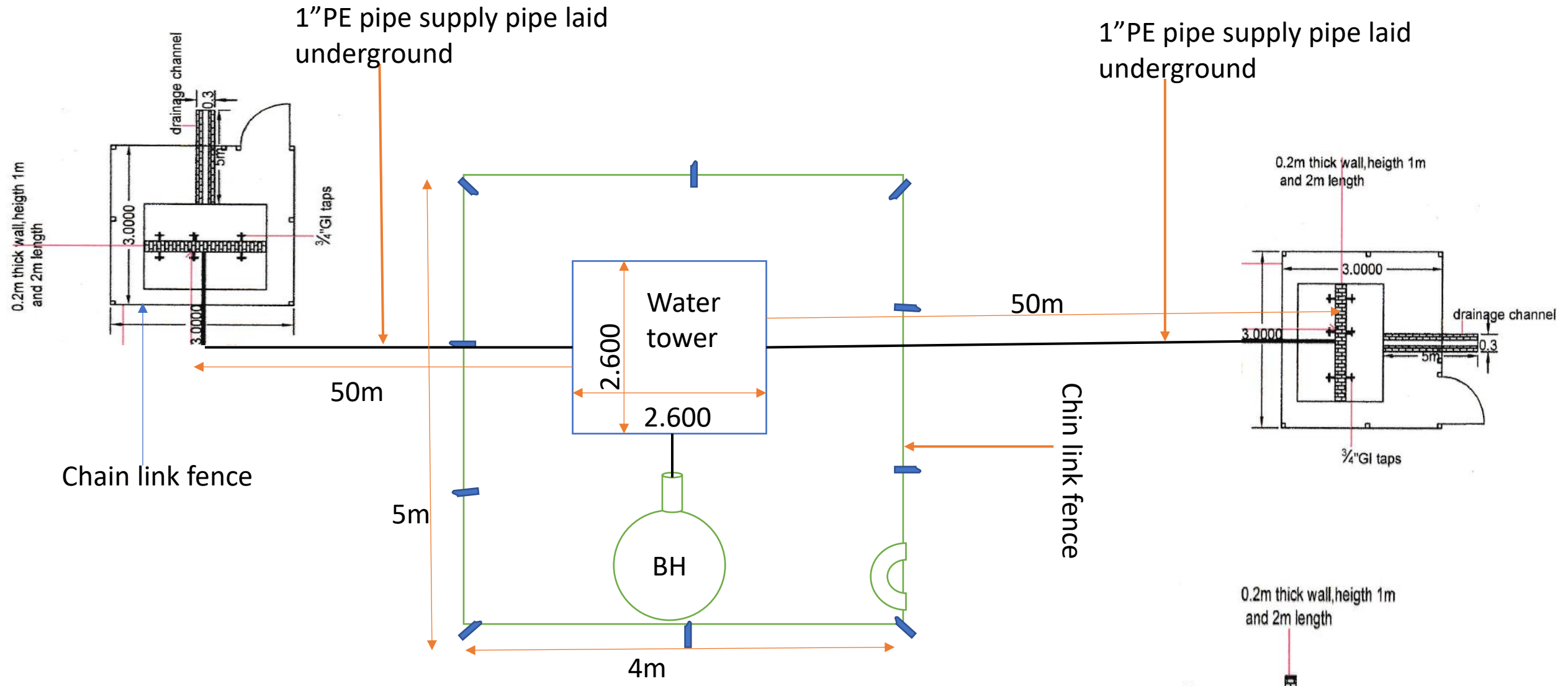
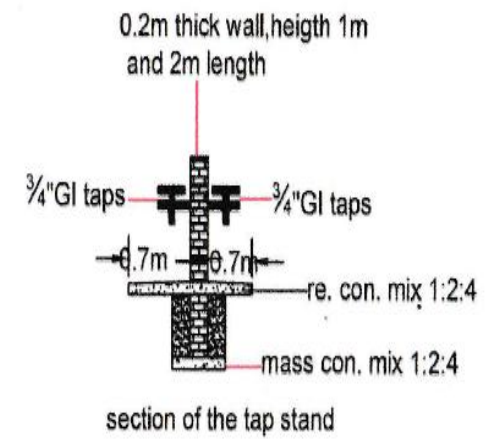


TWO WATER YARD WITH TWO FETCHING POINT EACH WITH 6 TAPS UPGRADING OF OLD EXISTING BOREHOLES TO TWO WATER YARDS WITH TWO FETCHING POINTS EACH AND EACH WITH SIX (6) TAPS





GROUND PLAN FOR WATER YARD



PROTECTION WIRE FENCE FOR WATER YARD AND TWO FETCHING POINTS OUTSIDE THE PROJECT PERIMETER FENCE

