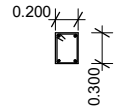
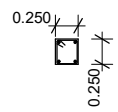


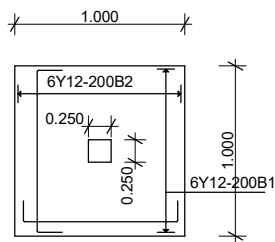
ELEVATION
SCALE 1:50



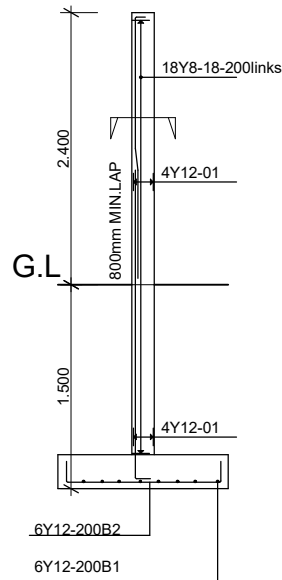
SECTION OF BEAM
SCALE 1:50



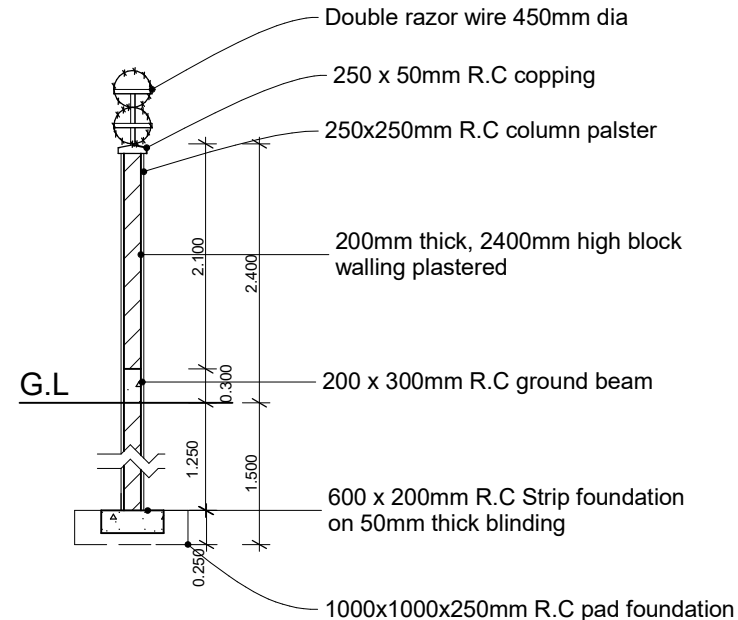
SECTION OF COLUMN
SCALE 1:50



BASE DETAIL
SCALE 1:50



SECTION THRU COLUMN AND PAD
SCALE 1:50



SECTION THRU BLOCK WALL
SCALE 1:50

200mm thick, 2400mm high block walling plastered

250x250mm R.C column palster

6000x2400mm high steel Gate with pedestrian gate in the middle, painted with approved color

Double razor wire 450mm dia

250 x 50mm R.C copping

250x250mm R.C column palster

200mm thick, 2400mm high block walling plastered

200 x 300mm R.C ground beam

600 x 200mm R.C Strip foundation on 50mm thick blinding

1000x1000x250mm R.C pad foundation

Revisions	
Company Title	
Cell phone: +211(0)922090007, +211(0)925849291, Email :	
Job Title	
Proposed Boundary wall in Pibor, Gonglei State	
Client	
PLAN INTERNATIONAL	
Client Signature	
Drawing Name	
PLAN, ELEVATION AND SECTION	
Drawn by	
Done by: E. Anyiego	7 May 2023
Checked by: D. Marube	
7 May 2023	
Drawing Scale	
1:50	
Plan no.	
SNM/12/2023/A001	