

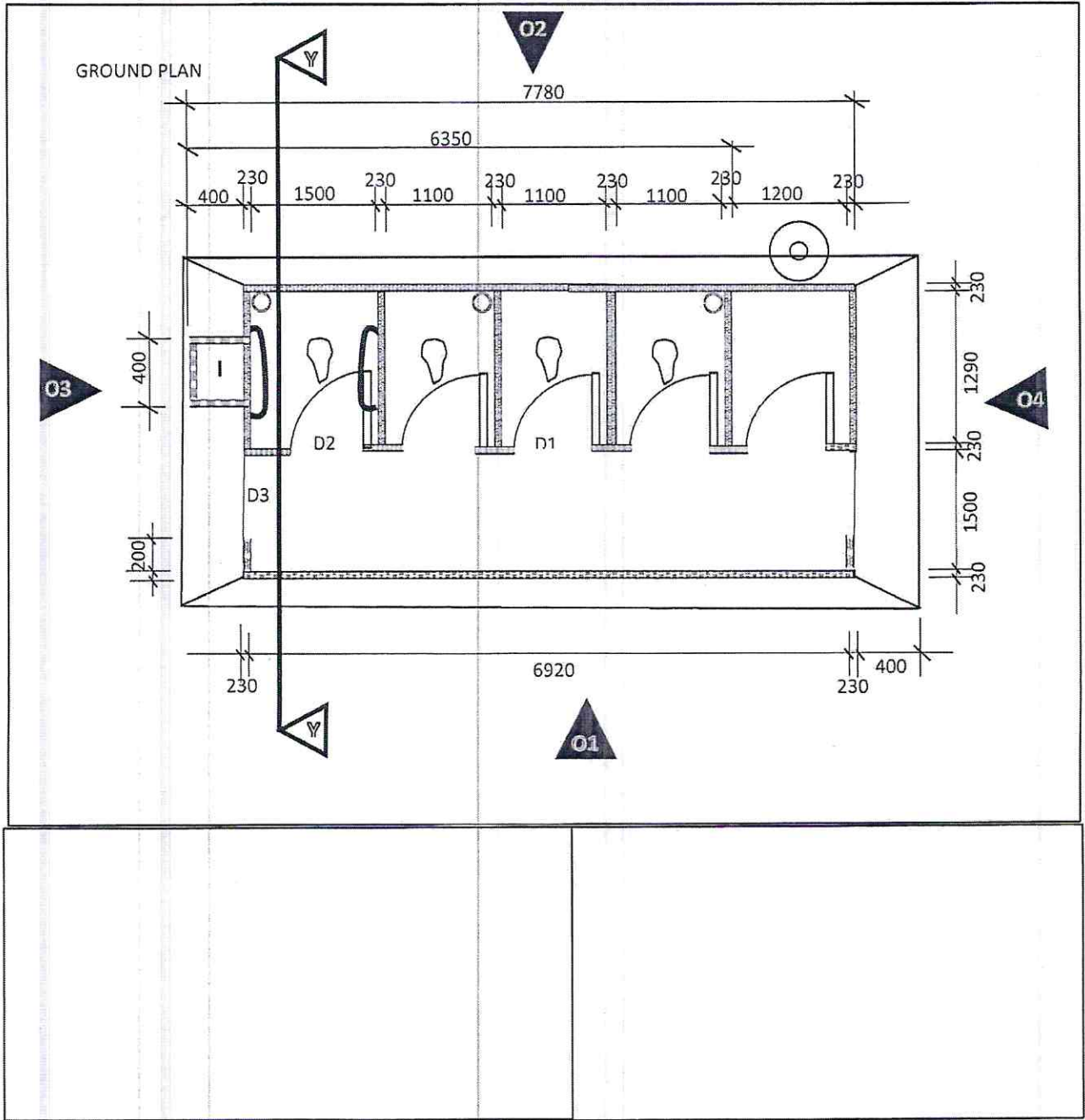
1. All dimensions are to be checked on site, written dimensions to be followed in preference to scaled dimensions.
2. All walls less than 230mm thick to be reinforced with hoop iron at every alternate course.
3. All sanitary work to be in accordance with M.O.H rules and regulations
4. Where drain passes under building or drive-way area, pipe to be of cast iron or encased in 150mm concrete.
5. All waste pipes and soil pipes are to be in ducts and bends to have all cleaning eyes accessible from outside.
6. All door frames to be rebated & moulded & be full width of wall with leaded architraves to detail, provide rubber door stops to

7. All internal plaster to be two coats steel foot finished.
8. All manholes within building area, drive-way and parking to have heavy duty air tight covers and double sealed.
9. All painting to be 3 coats.
10. Samples of fittings, materials etc. to be produced & approved before commencing work.
11. The disable room is 1500mm x 1290mm, and the washroom is 1200mm x 1290mm.
12. Ramp of a gentle slope of 2% on the side of the disable apron-way. The length will be determined on site.
13. The manhole is 400mm square.



/s/

GROUND PLAN



g ur
10/10/2018
HOP
SOUTH SUPERIOR
A