

GENERAL NOTES:

1. All dimensions are to be checked on site within 10 days of the start of construction.
2. All materials to be used shall be of the best quality and shall be approved by the Engineer.
3. All work to be done shall be in accordance with the relevant codes and standards.
4. All work to be done shall be in accordance with the relevant codes and standards.
5. All work to be done shall be in accordance with the relevant codes and standards.
6. All work to be done shall be in accordance with the relevant codes and standards.
7. All work to be done shall be in accordance with the relevant codes and standards.
8. All work to be done shall be in accordance with the relevant codes and standards.
9. All work to be done shall be in accordance with the relevant codes and standards.
10. All work to be done shall be in accordance with the relevant codes and standards.
11. All work to be done shall be in accordance with the relevant codes and standards.
12. All work to be done shall be in accordance with the relevant codes and standards.
13. All work to be done shall be in accordance with the relevant codes and standards.
14. All work to be done shall be in accordance with the relevant codes and standards.
15. All work to be done shall be in accordance with the relevant codes and standards.

ISSUES	
No.	Date:

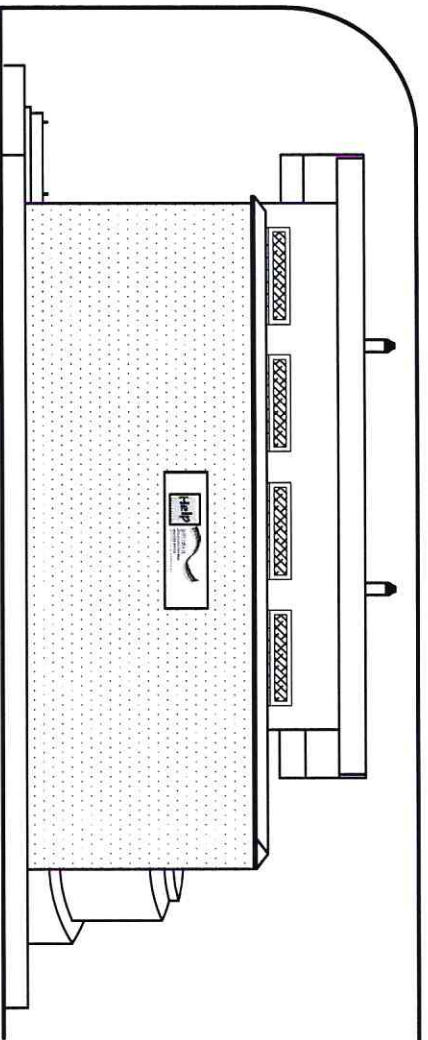
Help
Hilfe zur Selbsthilfe

Help-Hilfe zur Selbsthilfe e.V.
Hamza Inn Compound
Block G, Plot No. 4-Juba Town
South Sudan

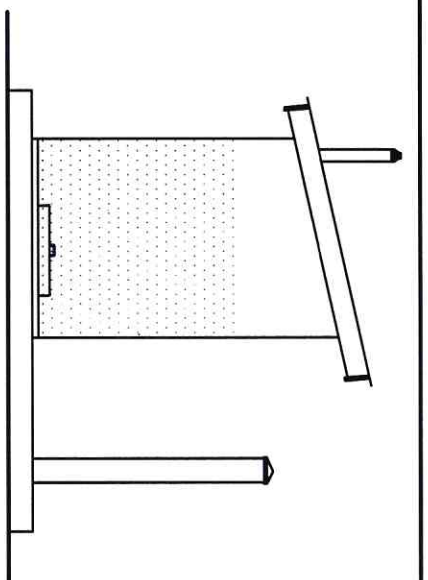
Project:
6 BLOCKS OF 4 STANCES DRAINABLE LATRINE
TO BE CONSTRUCTED IN AVERIAL AND
YIROL COUNTIES, EASTERN LAKES STATE

DRAWING TITLE:	
Elevations	
Date:	Scale:
AUGUST 2017	1:100
Drawing No:	Drawn:
EL/S/01/2017	F.oyat

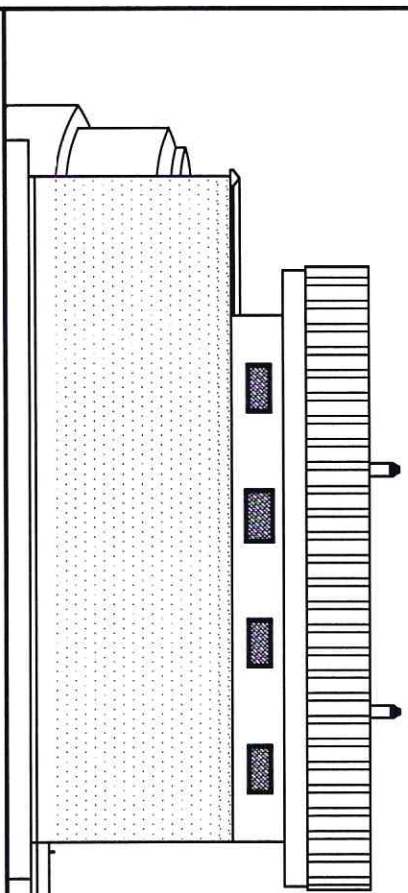




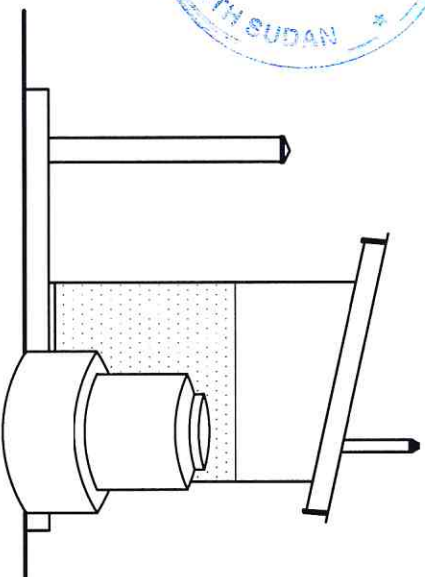
⊕ ELEVATION 01
Scale 1:100



⊕ ELEVATION 03
Scale 1:100



⊕ ELEVATION 02
Scale 1:100



⊕ ELEVATION 04
Scale 1:100



GENERAL NOTES

1/ All dimensions are to be checked on site within dimensions to be indicated in preference to scaled dimensions.

2/ A wall was built 220mm thick to be replaced with 150mm thick.

3/ All existing work to be in accordance with M.Q.D.I. rules and regulations.

4/ All new work to be in accordance with M.Q.D.I. rules and regulations.

5/ All materials used in building work shall be of the best quality and available in Sudan.

6/ All windows and external glazed doors or ground floor to have 7mm safety glass.

7/ All doors to be 2000mm high and 900mm wide.

8/ All doors and windows to be in accordance with M.Q.D.I. rules and regulations.

9/ All windows and external glazed doors or ground floor to have 7mm safety glass.

10/ All windows and external glazed doors or ground floor to have 7mm safety glass.

11/ Provide D.I. 125x100 aluminium down pipes and 125x100x1.0mm aluminium guttering.

12/ All painting to be in accordance with M.Q.D.I. rules and regulations.

13/ Structure of building to be in accordance with M.Q.D.I. rules and regulations.

14/ All fire fighting equipment to be provided and maintained by the client.

15/ All materials used in building work shall be of the best quality and available in Sudan.

16/ All materials used in building work shall be of the best quality and available in Sudan.

17/ All materials used in building work shall be of the best quality and available in Sudan.

18/ All materials used in building work shall be of the best quality and available in Sudan.

19/ All materials used in building work shall be of the best quality and available in Sudan.

20/ All materials used in building work shall be of the best quality and available in Sudan.

8/ Door case and lobby doors to be self closing and 1/2 hour fire rated.

9/ All windows to be in accordance with M.Q.D.I. rules and regulations.

10/ All materials used in building work shall be of the best quality and available in Sudan.

11/ Provide D.I. 125x100 aluminium down pipes and 125x100x1.0mm aluminium guttering.

12/ All painting to be in accordance with M.Q.D.I. rules and regulations.

13/ Structure of building to be in accordance with M.Q.D.I. rules and regulations.

14/ All fire fighting equipment to be provided and maintained by the client.

15/ All materials used in building work shall be of the best quality and available in Sudan.

16/ All materials used in building work shall be of the best quality and available in Sudan.

17/ All materials used in building work shall be of the best quality and available in Sudan.

18/ All materials used in building work shall be of the best quality and available in Sudan.

19/ All materials used in building work shall be of the best quality and available in Sudan.

20/ All materials used in building work shall be of the best quality and available in Sudan.

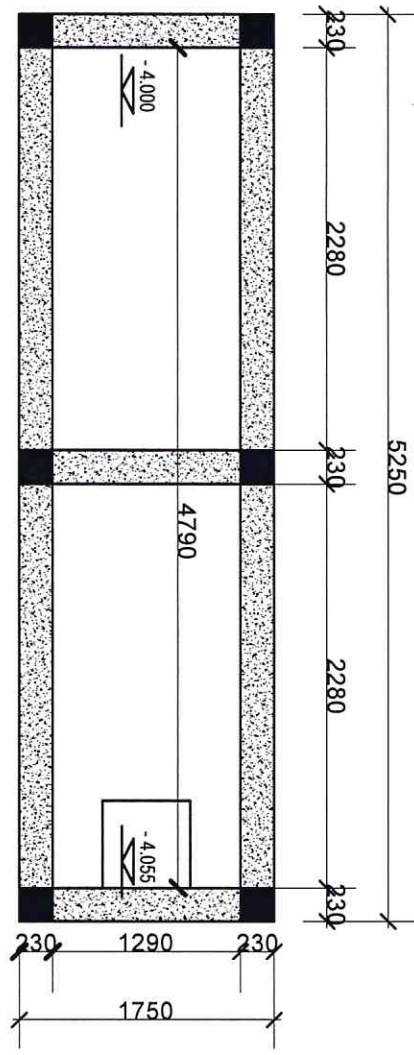
ISSUES	
No.	Date:

Help
Hilfe zur Selbsthilfe

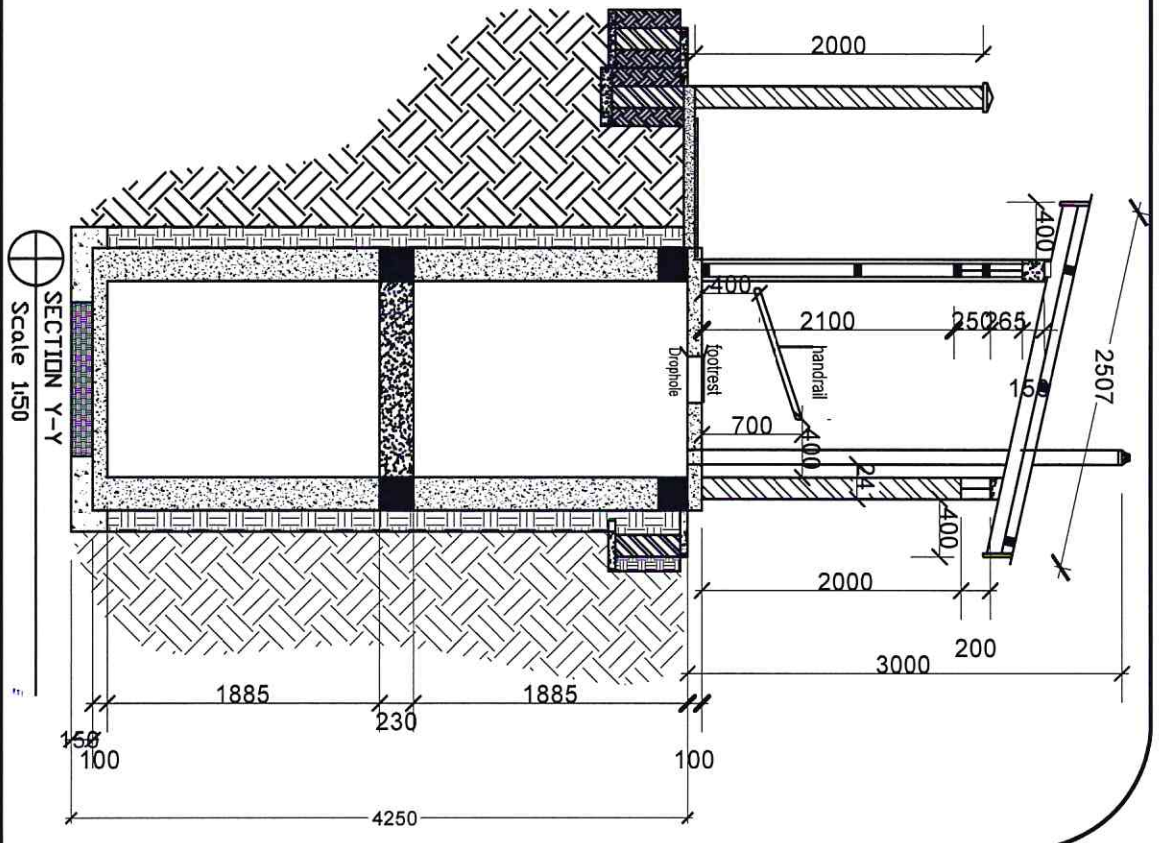
Help-Hilfe zur Selbsthilfe e.V.
Hamza Inn Compound
Block G, Plot No.4-Juba Town
South Sudan

Project:
6 BLOCKS OF 4 STANCES DRAINABLE LATRINE
TO BE CONSTRUCTED IN AVERIAL AND
YIROL COUNTIES, EASTERN LAKES STATE

DRAWING TITLE:	
Elevations	
Date: AUGUST 2017	Scale: 1:100
Drawing No: EL/S/01/2017	Drawn: F.oyat



⊕ COLUMN & BEAM LAYOUT
Scale 1:25



⊕ SECTION Y-Y
Scale 1:50

GENERAL NOTES:

1. All dimensions are to be checked on the actual construction.
2. All dimensions are to be checked on the actual construction.
3. All materials to be in accordance with Q11 (Steel and concrete) and Q12 (Masonry).
4. All masonry to be in accordance with Q11 (Steel and concrete) and Q12 (Masonry).
5. All concrete to be in accordance with Q11 (Steel and concrete) and Q12 (Masonry).
6. All masonry to be in accordance with Q11 (Steel and concrete) and Q12 (Masonry).
7. All concrete to be in accordance with Q11 (Steel and concrete) and Q12 (Masonry).
8. All masonry to be in accordance with Q11 (Steel and concrete) and Q12 (Masonry).
9. All concrete to be in accordance with Q11 (Steel and concrete) and Q12 (Masonry).
10. All masonry to be in accordance with Q11 (Steel and concrete) and Q12 (Masonry).
11. Provide Q11 (Steel and concrete) and Q12 (Masonry).
12. Provide Q11 (Steel and concrete) and Q12 (Masonry).
13. Provide Q11 (Steel and concrete) and Q12 (Masonry).
14. Provide Q11 (Steel and concrete) and Q12 (Masonry).
15. Provide Q11 (Steel and concrete) and Q12 (Masonry).

ISSUES	
No.	Date:

Help
Hilfe zur Selbsthilfe

Help-Hilfe zur Selbsthilfe e.V.
Hanza Inn Compound
Block G, Plot No 4-Juba Town
South Sudan

Project:
6 BLOCKS OF 4 STANCES DRAINABLE LATRINE
TO BE CONSTRUCTED IN AMERIAL AND
YIROL COUNTIES, EASTERN LAKES STATE

DRAWING TITLE:	
Elevations	
Date: AUGUST 2017	Scale: 1:100
Drawing No: E/S/01/2017	Drawn: F.oyal