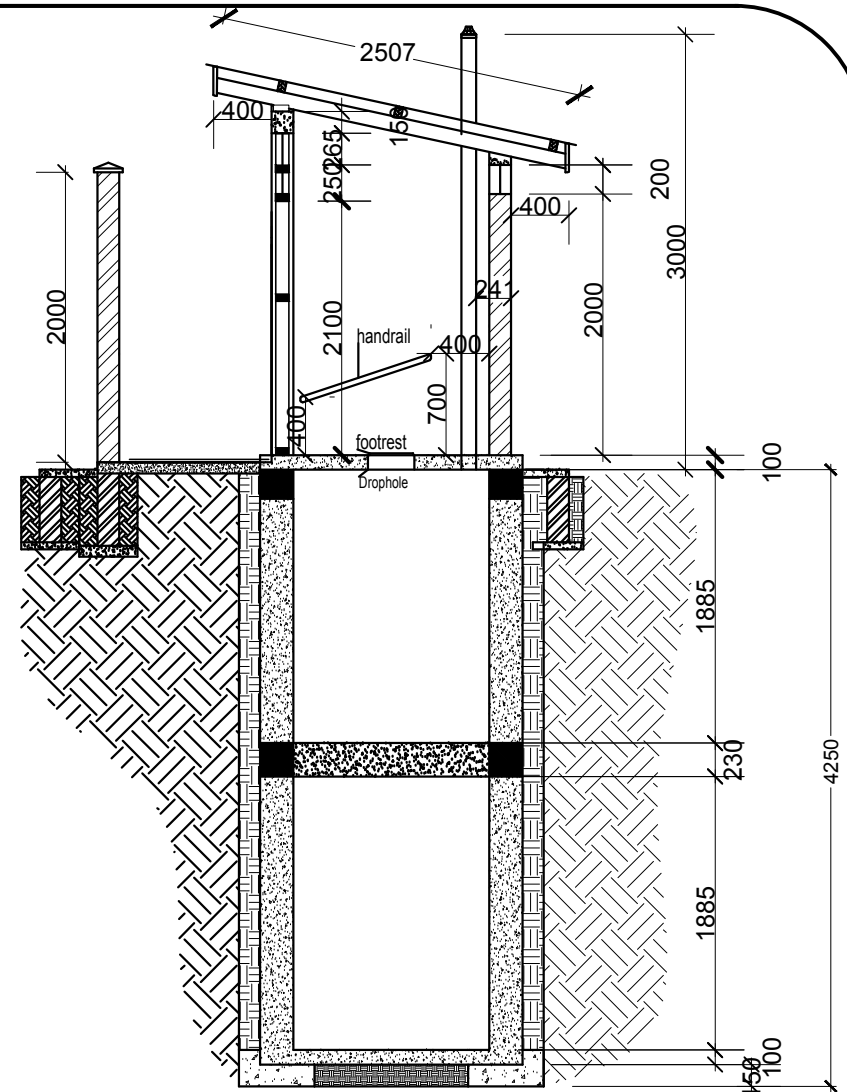


COLUMN & BEAM LAYOUT
Scale 1:25



SECTION Y-Y
Scale 1:50

GENERAL NOTES

- All dimensions are to be checked on site, written dimensions to be followed in preference to scaled dimensions.
- All walls less than 230mm thick to be reinforced with hoop iron at every alternate course.
- All sanitary work to be in accordance with M.O.H rules and regulations.
- Where drain passes under building or drive-way area, pipe to be of cast iron or encased in 150mm concrete.
- All waste pipes and soil pipes are to be in ducts and bends to have all cleaning eyes accessible from outside.
- All windows and external glazed doors on ground floor to have burglar proofing to architect's detail.
- All door frames to be rebated & moulded & be full width of wall with rounded architraves to detail, provide rubber door stops to
- Stair case and lobby doors to be self closing and 1/2 hour fire resistant.
- All internal plaster to be two coats steel foot finished.
- All manholes within building area, drive-way and parking to have heavy duty air tight covers and double sealed.
- Provide G.I. 125x100 rainwater down pipes and 125x100G.I. box gutter with brackets etc. where shown.
- All painting to be 3 coats.
- Samples of fittings, materials etc. to be produced & approved before commencing work.
- Fire fighting equipment to be provided and installed by Building Fire Consultants where shown on plan.

ISSUES

No.	Date:

Help-Hilfe zur Selbsthilfe e.V.
Hamza Inn Compound
Block G, Plot No.4-Juba Town
South Sudan

Project:
6 BLOCKS OF 4 STANCES DRAINABLE LATRINE TO BE CONSTRUCTED IN AWERIAL AND YIROL COUNTIES, EASTERN LAKES STATE

DRAWING TITLE:
Elevations

Date: AUGUST 2017	Scale: 1:100
Drawing No. ELS/01/2017	Drawn: F.oyat